



**Technical Service  
Information Bulletin**

October 13, 2006

Title:

**AUTOMATIC TRANSMISSION  
SERIAL NUMBER LOCATION**

Models:

**All '06 – '07 Lexus**

**TRANSMISSION & CLUTCH  
TC009-06**

**Introduction** The purpose of this TSIB is to assist in the identification and location of serial numbers on 2006 – 2007 model year automatic transmissions.

**NOTE:**

- Per Lexus Warranty Policy & Procedure Policy 4.21:  
Whenever a remanufactured or OEM automatic transmission is replaced, the serial number from the back of the failed component must be entered in the “Transmission Serial Number” field, which can be found on the “Additional Information” tab of the warranty claim.
- When writing a Product Report, the serial number **MUST** be provided.
- Warranty policy requires shipment of ALL replaced transmissions to AWTEC, even if the transmission is replaced with a new service unit.

**Applicable Vehicles** • 2006 – 2007 model year **Lexus** vehicles.

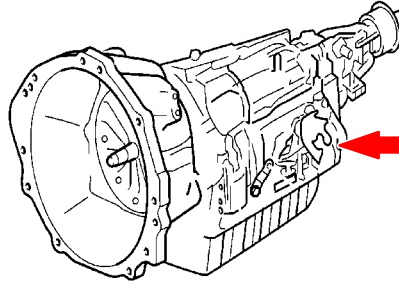
**Warranty Information**

| OP CODE | DESCRIPTION                | TIME | OFP | T1 | T2 |
|---------|----------------------------|------|-----|----|----|
| N/A     | Not Applicable to Warranty | –    | –   | –  | –  |

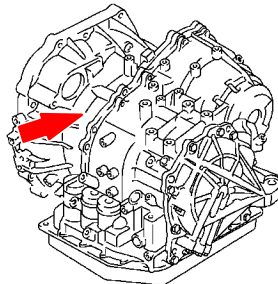


**Identification Procedure**

| TRANSMISSION MODEL | MODEL  | MODEL YEAR   | ENGINE | SERIAL NUMBER   |
|--------------------|--------|--------------|--------|---|
| A750E/F            | GX 470 | 2006<br>2007 | 2UZ-FE | <b>Example: 06 A T1 00001</b><br><b>06:</b> Year of Manufacture<br><b>A:</b> Month of Manufacture<br>(A – M, "I" not used)<br><b>T1/T2:</b> Transmission Model Code (A750*)<br><b>00001:</b> 5-digit Serial Number<br><b>Location:</b> Left Rear on Transmission Case Above Transmission Pan (as shown below) |
|                    | LX 470 |              |        |   |

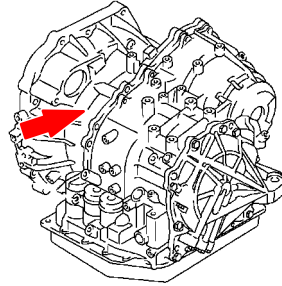


| TRANSMISSION MODEL | MODEL  | MODEL YEAR | ENGINE | SERIAL NUMBER  |
|--------------------|--------|------------|--------|--|
| U151E/F            | ES 330 | 2006       | 3MZ-FE | <b>Example: 06 A D2 00001</b><br><b>06:</b> Year of Manufacture<br><b>A:</b> Month of Manufacture<br>(A – M, "I" not used)<br><b>D2:</b> Transmission Model Code (U151*)<br><b>00001:</b> 5-digit Serial Number<br><b>Location:</b> Slightly Off Center to the Left on Top of Bell Housing of Transmission. (as shown below) |
|                    | RX 330 |            |        |  |
|                    | RX 350 | 2007       | 2GR-FE |  |

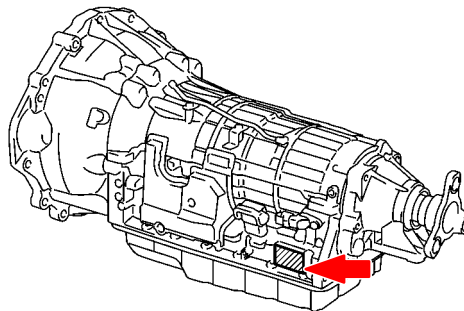


**Identification Procedure**  
(Continued)

| TRANSMISSION MODEL       | MODEL  | MODEL YEAR | ENGINE | SERIAL NUMBER  |
|--------------------------|--------|------------|--------|--|
| U151E/F<br>(TMMWV Built) | RX 330 | 2006       | 3MZ-FE | <b>Example: 5 06 01 00001</b><br><b>5:</b> Plant (TMMWV)<br><b>06:</b> Year of Manufacture<br><b>01:</b> Month of Manufacture (January)<br><b>00001:</b> 5-digit Serial Number<br><b>Location:</b> Slightly Off Center to the Left on Top of Bell Housing of Transmission (as shown below) |
|                          | RX 350 | 2007       | 2GR-FE |  |

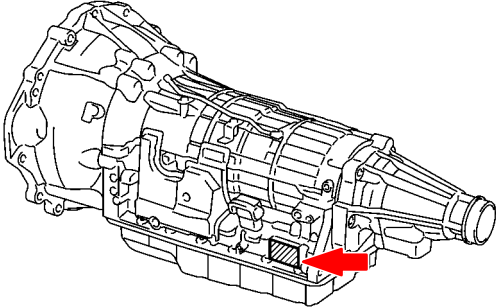


| TRANSMISSION MODEL | MODEL  | MODEL YEAR   | ENGINE | SERIAL NUMBER  |
|--------------------|--------|--------------|--------|--|
| A761E              | SC 430 | 2006<br>2007 | 3UZ-FE | <b>Example: 06 A TA 00001</b><br><b>06:</b> Year of Manufacture<br><b>A:</b> Month of Manufacture (A – M, "I" not used)<br><b>TA/TF:</b> Transmission Model Code (A761E)<br><b>00001:</b> 5-digit Serial Number<br><b>Location:</b> Left Rear on Transmission Case Above Transmission Pan (as shown below) |
|                    | LS 430 | 2006         |        |  |
|                    | GS 430 | 2006<br>2007 |        |  |

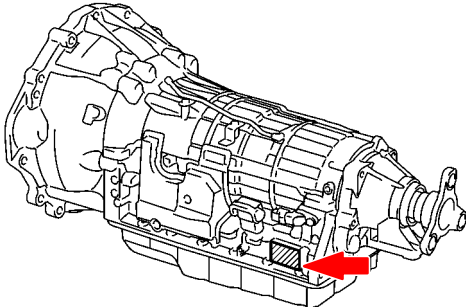


**Identification Procedure**  
(Continued)

| TRANSMISSION MODEL | MODEL         | MODEL YEAR   | ENGINE  | SERIAL NUMBER  |
|--------------------|---------------|--------------|---------|--|
| A960E              | IS 250<br>2WD | 2006<br>2007 | 4GR-FSE | <b>Example: 06 A TC 00001</b><br><b>06:</b> Year of Manufacture<br><b>A:</b> Month of Manufacture<br>(A – M, “I” not used)<br><b>TC:</b> Transmission Model Code (A960E)<br><b>00001:</b> 5-digit Serial Number<br><b>Location:</b> Left Rear on Transmission Case Above Transmission Pan (as shown below) |
|                    | GS 300<br>2WD | 2006         | 3GR-FSE |  |

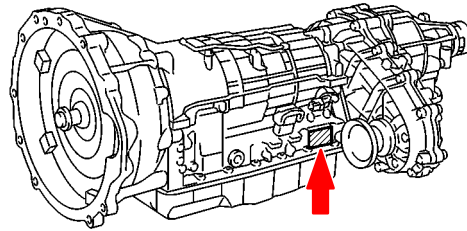


| TRANSMISSION MODEL | MODEL         | MODEL YEAR   | ENGINE  | SERIAL NUMBER   |
|--------------------|---------------|--------------|---------|---|
| A760E              | IS 350        | 2006<br>2007 | 2GR-FSE | <b>Example: 06 A TA 00001</b><br><b>06:</b> Year of Manufacture<br><b>A:</b> Month of Manufacture<br>(A – M, “I” not used)<br><b>TA/TF:</b> Transmission Model Code (A760E)<br><b>00001:</b> 5-digit Serial Number<br><b>Location:</b> Left Rear on Transmission Case Above Transmission Pan (as shown below) |
|                    | GS 350<br>2WD | 2007         | 2GR-FSE |   |

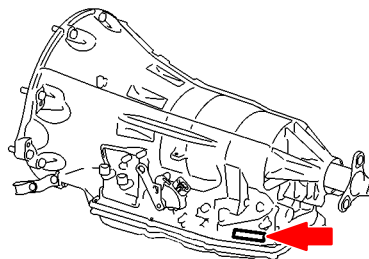


**Identification Procedure**  
(Continued)

| TRANSMISSION MODEL | MODEL      | MODEL YEAR   | ENGINE  | SERIAL NUMBER  |
|--------------------|------------|--------------|---------|--|
| A760H              | IS 250 AWD | 2006<br>2007 | 4GR-FSE | <b>Example: 06 A TB 00001</b><br><b>06:</b> Year of Manufacture<br><b>A:</b> Month of Manufacture (A – M, “I” not used)<br><b>TB/TG:</b> Transmission Model Code (A760H)<br><b>00001:</b> 5-digit Serial Number<br><b>Location:</b> Left Rear on Transmission Case Above Transmission Pan (as shown below) |
|                    | GS 300 AWD | 2006         | 3GR-FSE |  |
|                    | GS 350 AWD | 2007         | 2GR-FSE |  |



| TRANSMISSION MODEL | MODEL   | MODEL YEAR | ENGINE  | SERIAL NUMBER   |
|--------------------|---------|------------|---------|---|
| AA80E              | LS 460  | 2007       | 1UR-FSE | <b>Example: 06 A LA 00001</b><br><b>06:</b> Year of Manufacture<br><b>A:</b> Month of Manufacture (A – M, “I” not used)<br><b>LA:</b> Transmission Model Code (AA80E)<br><b>00001:</b> 5-digit Serial Number<br><b>Location:</b> Left Rear on Transmission Case Above Transmission Pan (as shown below) |
|                    | LS 460L |            |         |   |



**Identification Procedure**  
(Continued)

| TRANSMISSION MODEL | MODEL  | MODEL YEAR | ENGINE | SERIAL NUMBER  |
|--------------------|--------|------------|--------|--|
| U660E              | ES 350 | 2007       | 2GR-FE | <p><b>Example: 2A 06 G1 00001</b></p> <p><b>2:</b> Plant ID (TMH)<br/> <b>A:</b> Unit ID (U660E)<br/> <b>06:</b> Year of Manufacture<br/> <b>G:</b> Month of Manufacture (A – M, "I" not used)<br/> <b>1:</b> Plant Line Number<br/> <b>00001:</b> 5-digit Serial Number</p> <p><b>Location:</b> Top of Bell Housing Towards Front of Transmission — Serial Number Will Be Stamped in Transmission Case.</p> |

