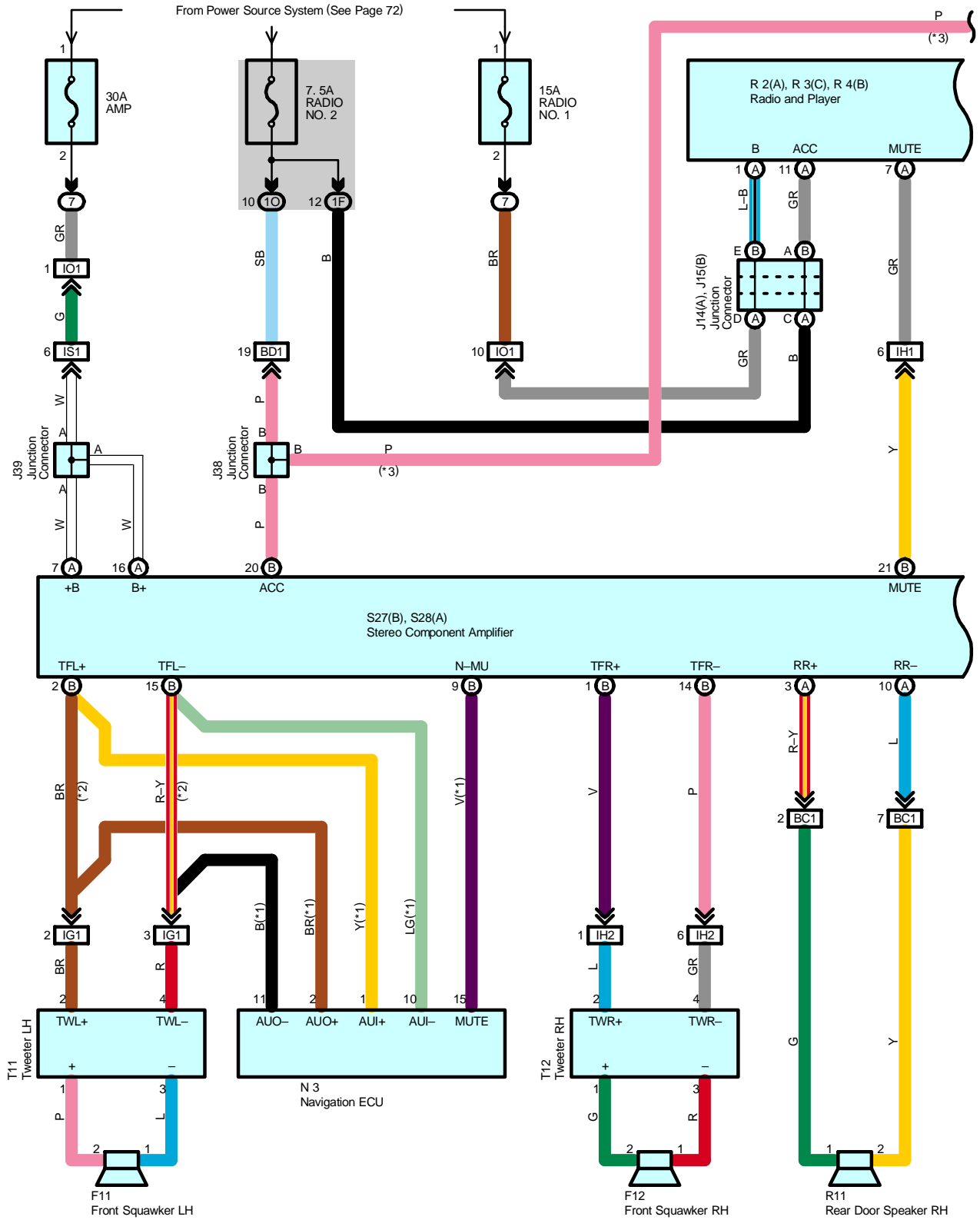
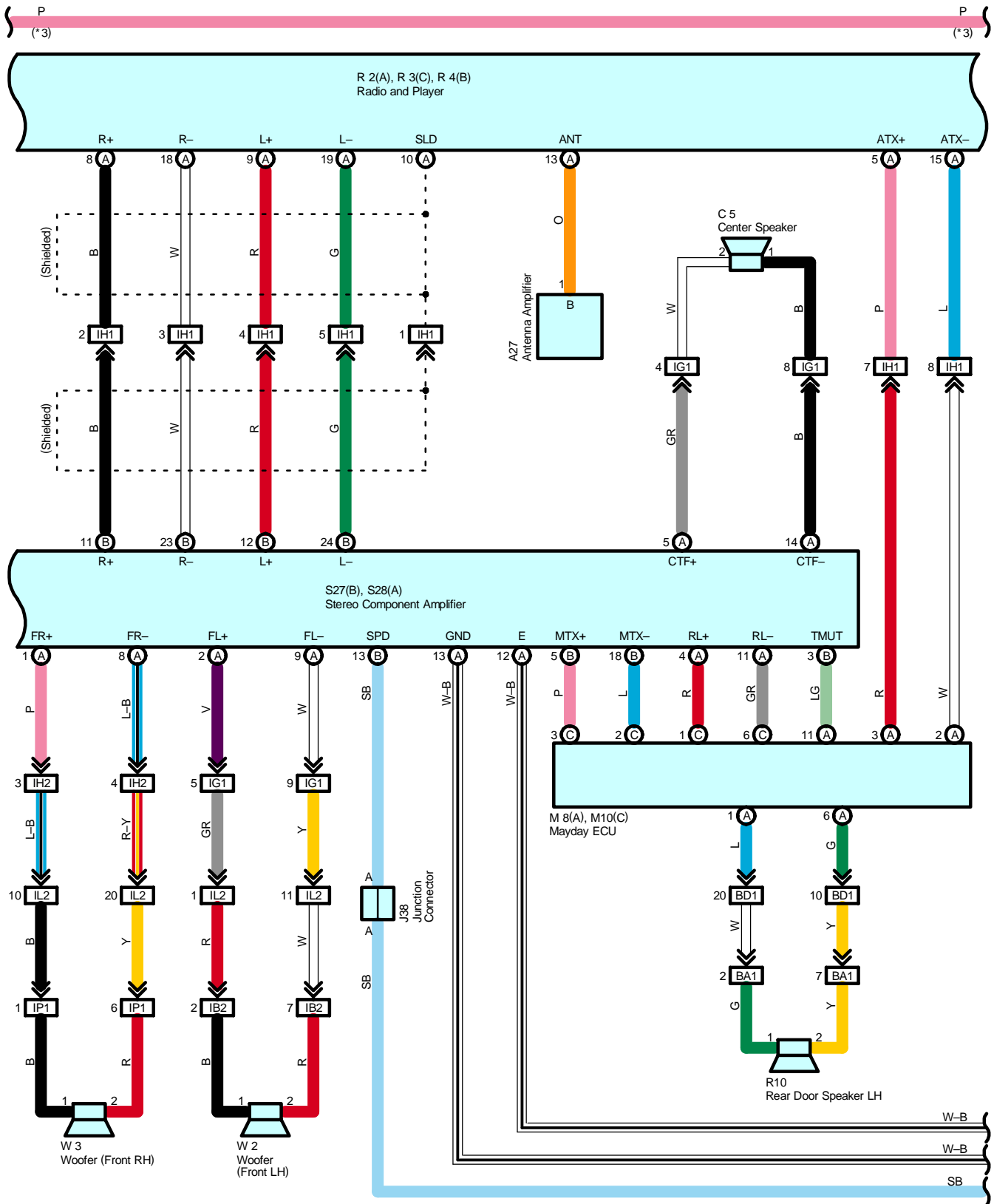


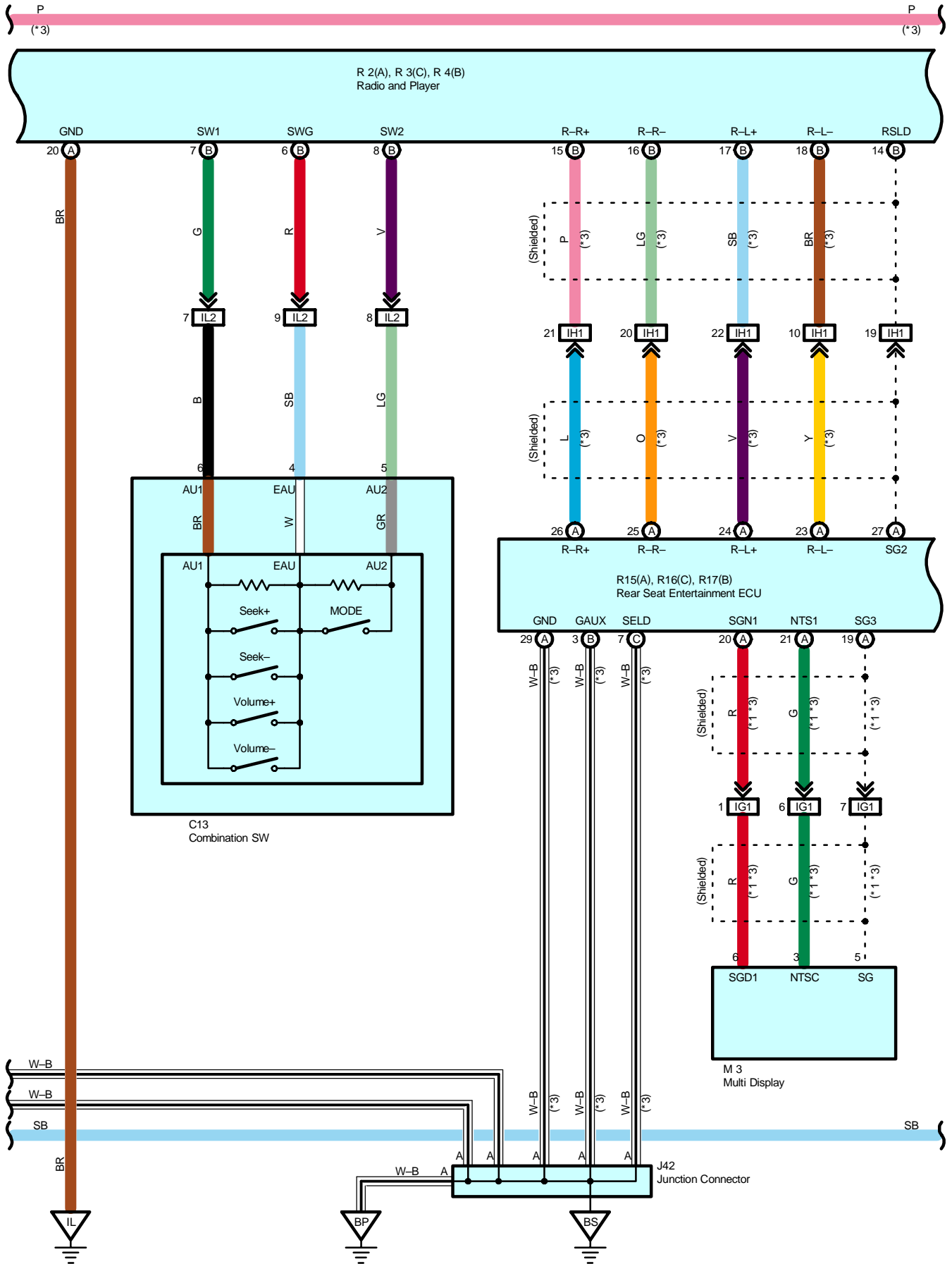
# Audio System for MARK LEVINSON

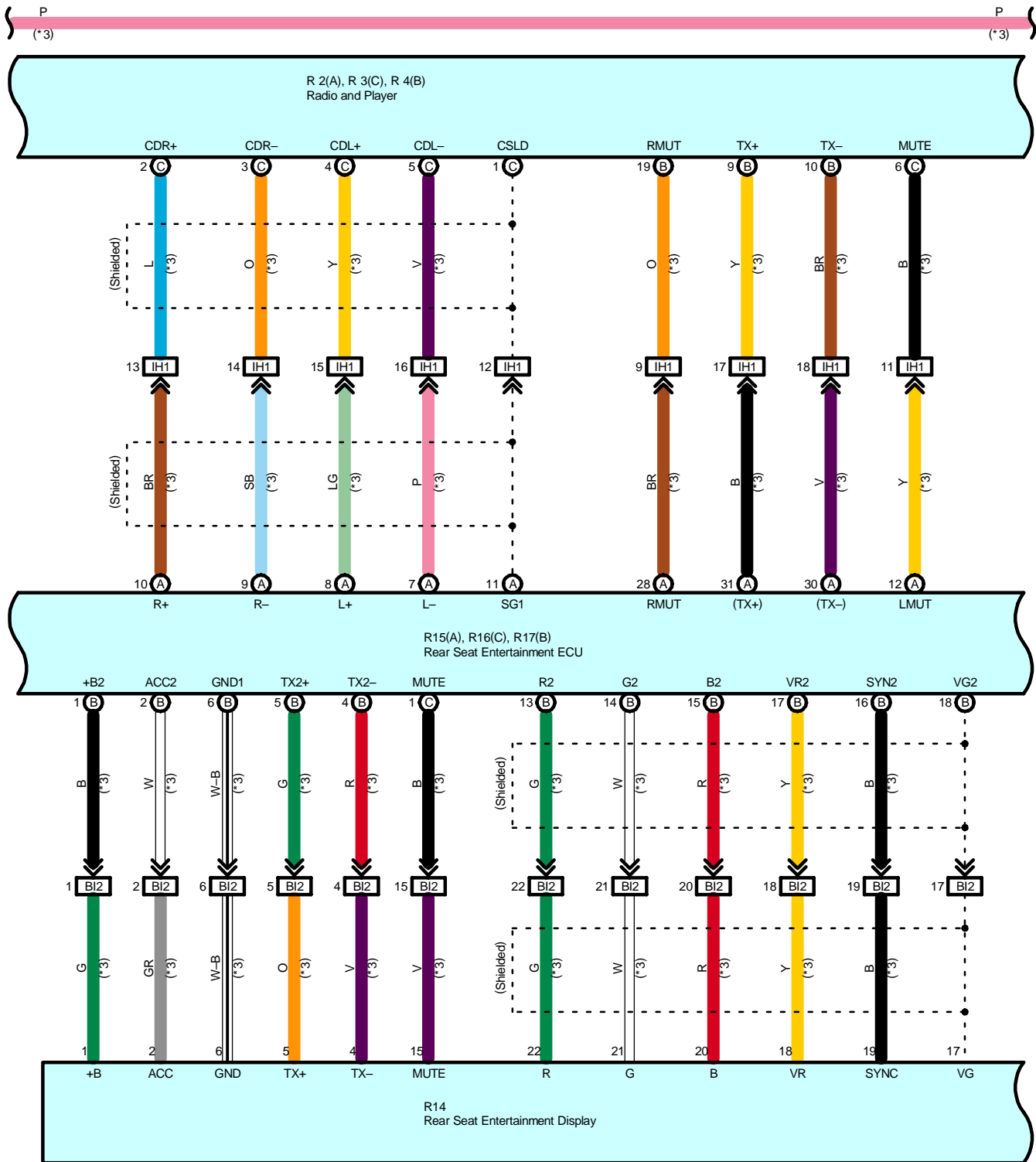


- \* 1 : w/ LEXUS Navigation System
- \* 2 : w/o LEXUS Navigation System
- \* 3 : w/ Rear Seat Entertainment System



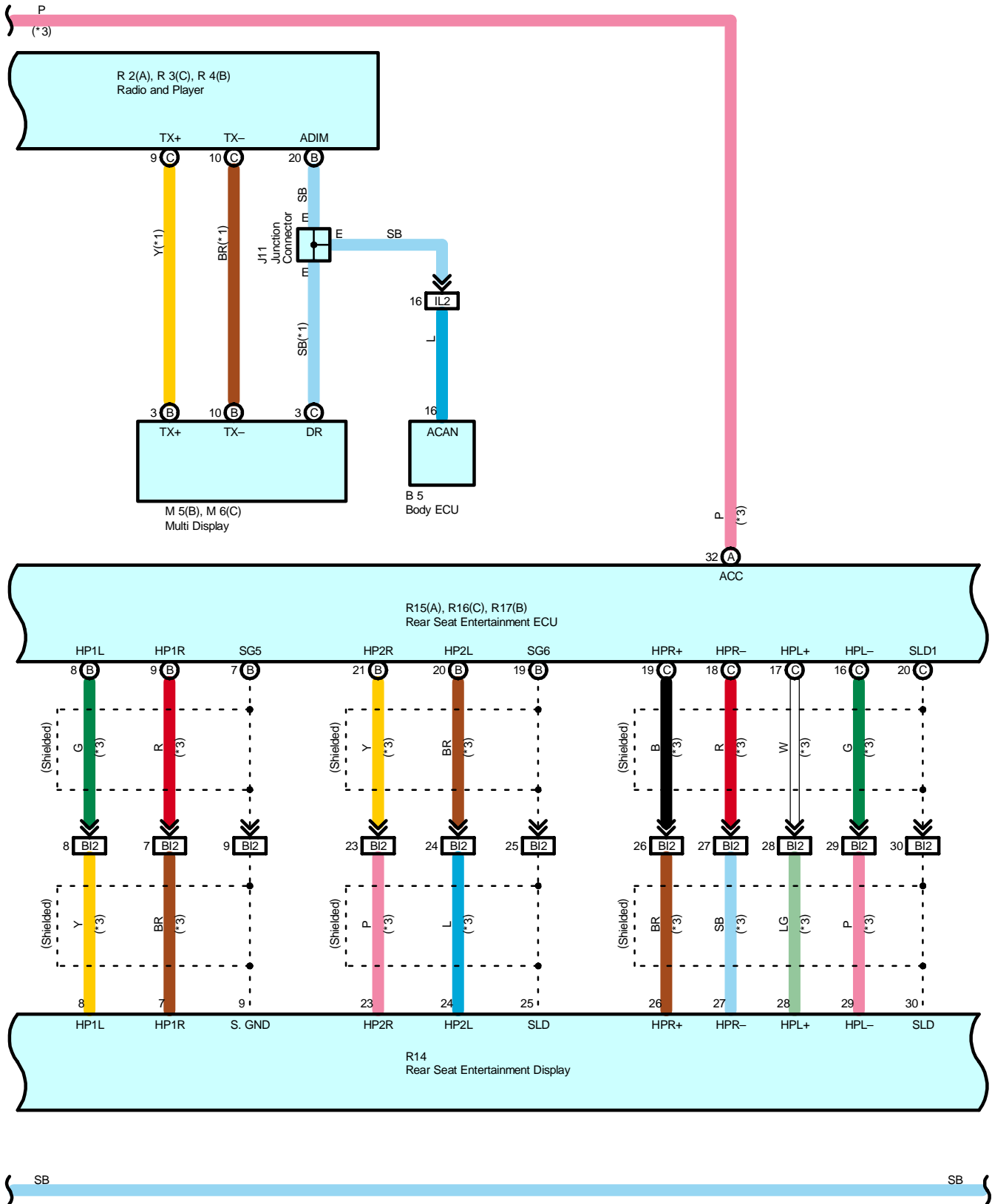
# Audio System for MARK LEVINSON

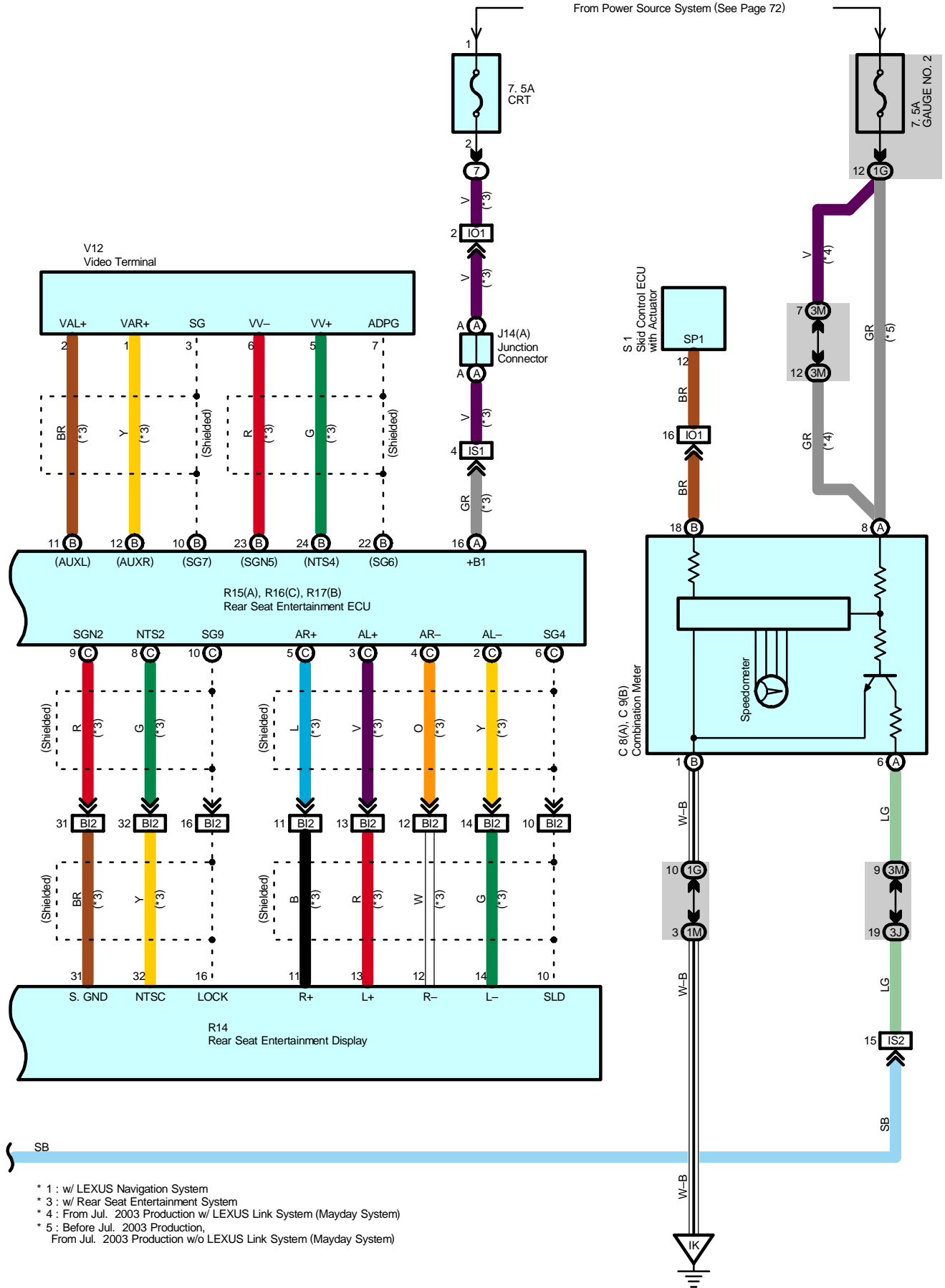




\* 1 : w/ LEXUS Navigation System  
 \* 3 : w/ Rear Seat Entertainment System

# Audio System for MARK LEVINSON





\* 1 : w/ LEXUS Navigation System  
 \* 3 : w/ Rear Seat Entertainment System  
 \* 4 : From Jul. 2003 Production w/ LEXUS Link System (Mayday System)  
 \* 5 : Before Jul. 2003 Production,  
 From Jul. 2003 Production w/o LEXUS Link System (Mayday System)

# Audio System for MARK LEVINSON

## Service Hints

### R2 (A) Radio and Player

- (A) 1–Ground : Always approx. 12 volts
- (A) 11–Ground : Approx. 12 volts with ignition SW at ON or ACC position
- (A) 20–Ground : Always continuity

### S27 (B), S28 (A) Stereo Component Amplifier

- (A) 7, (A) 16–Ground : Always approx. 12 volts
- (B) 20–Ground : Approx. 12 volts with ignition SW at ON or ACC position
- (A) 12, (A) 13–Ground : Always continuity

### R15 (A), R16 (C), R17 (B) Rear Seat Entertainment ECU

- (A) 32–Ground : Approx. 12 volts with ignition SW at ON or ACC position
- (A) 16–Ground : Always approx. 12 volts
- (A) 29, (B) 3, (C) 7–Ground : Always continuity

## ○ : Parts Location

Code	See Page	Code	See Page	Code	See Page
A27	46	J42	51	R15	A 52
B5	46	M3	48	R16	C 52
C5	47	M5	B 48	R17	B 52
C8	A 47	M6	C 48	S1	45
C9	B 47	M8	A 51	S27	B 53
C13	47	M10	C 51	S28	A 53
F11	47	N3	51	T11	49
F12	47	R2	A 49	T12	49
J11	48	R3	C 49	V12	53
J14	A 48	R4	B 49	W2	53
J15	B 48	R10	52	W3	53
J38	51	R11	52		
J39	51	R14	52		

## ○ : Relay Blocks

Code	See Page	Relay Blocks (Relay Block Location)
7	22	Fusible Link Block (Engine Compartment Left)

## ○ : Junction Block and Wire Harness Connector

Code	See Page	Junction Block and Wire Harness (Connector Location)
1F	26	Instrument Panel Wire and Instrument Panel J/B (Lower Finish Panel)
1G	27	
1M	26	
1O	26	Floor No.2 Wire and Instrument Panel J/B (Lower Finish Panel)
3J	34	Instrument Panel Wire and J/B No.3 (Behind the Combination Meter)
3M		

 : Connector Joining Wire Harness and Wire Harness

Code	See Page	Joining Wire Harness and Wire Harness (Connector Location)
IB2	58	Front Door LH Wire and Instrument Panel Wire (Left Kick Panel)
IG1	60	Instrument Panel No.2 Wire and Floor Wire (Instrument Panel Brace LH)
IH1	60	Instrument Panel No.2 Wire and Floor Wire (Instrument Panel Brace RH)
IH2		
IL2	62	Instrument Panel Wire and Instrument Panel No.2 Wire (Above the Glove Box)
IO1	62	Engine Room Main Wire and Instrument Panel Wire (Right Kick Panel)
IP1	64	Front Door RH Wire and Instrument Panel Wire (Right Kick Panel)
IS1	64	Instrument Panel Wire and Floor Wire (Right Kick Panel)
IS2		
BA1	66	Rear Door No.2 Wire and Floor No.2 Wire (Under the Left Center Pillar)
BC1	66	Rear Door No.1 Wire and Floor Wire (Under the Right Center Pillar)
BD1	66	Floor No.2 Wire and Floor Wire (Left Rear Quarter Panel)
BI2	66	Roof No.2 Wire and Floor Wire (Right Rear Quarter Panel)

 : Ground Points

Code	See Page	Ground Points Location
IK	58	Behind the Combination Meter
IL	58	Instrument Panel Brace RH
BP	66	Under the Right Center Pillar
BS	66	Right Rear Quarter Panel