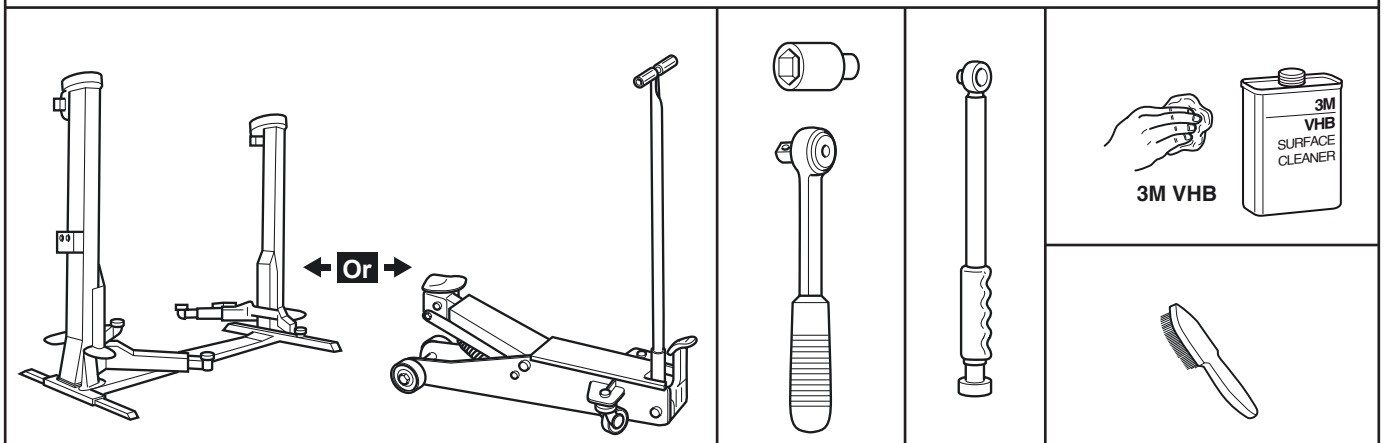


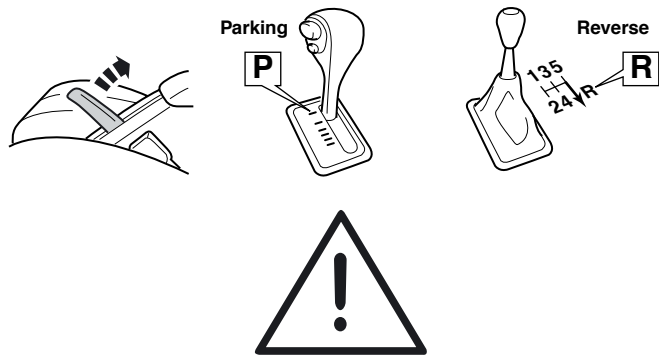
Alloy Wheels/Disc Wheels INSTALLATION INSTRUCTIONS All models

Part number: 04423-02010 Fitting kit for TPMS

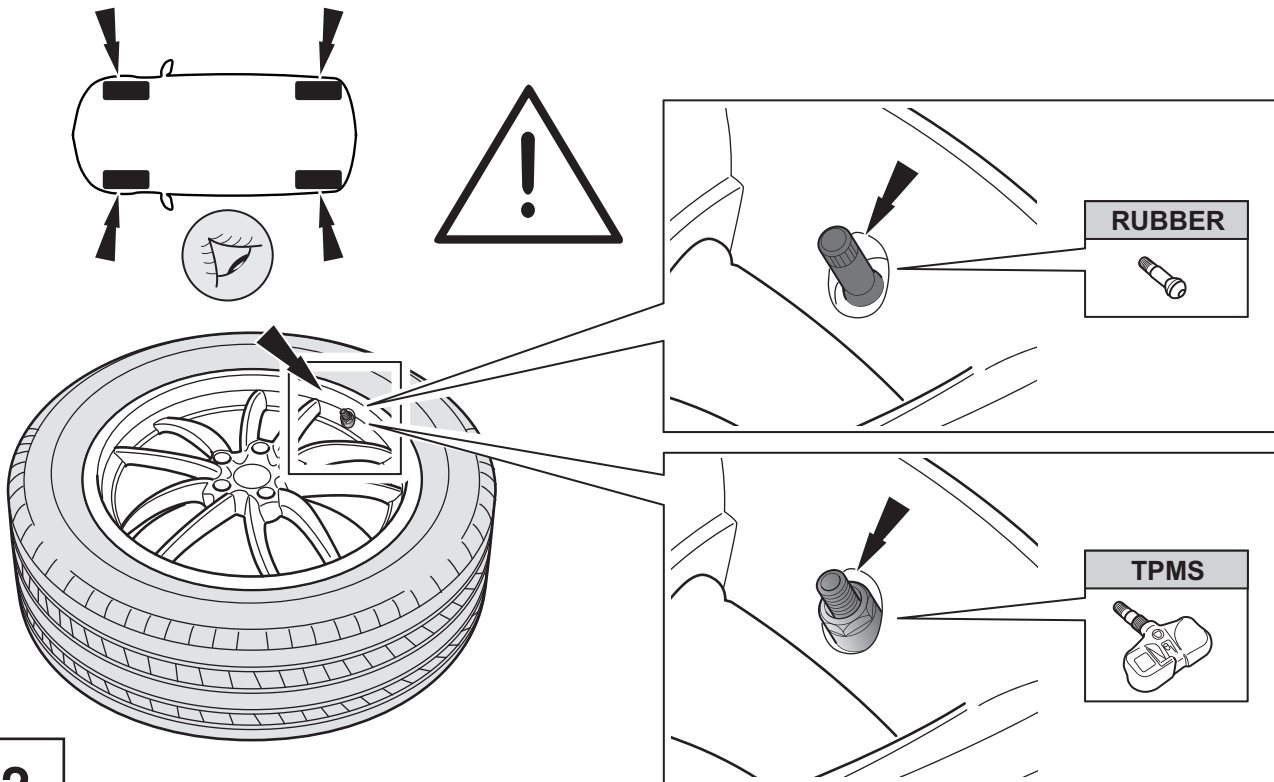
Revision Record

| Rev. No. | Date | Page | Picture | Update | New | Deleted |
|----------|------------|----------|--------------|--------|-----|---------|
| 1 | 06/03/2013 | 1,5,6,12 | | X | | 11 |
| 2 | 29/03/2013 | 6, 11 | 12, 13 | X | | |
| 3 | 08/11/2013 | 1, 6 | Part no + 13 | X | | |
| | | | | | | |
| | | | | | | |
| | | | | | | |
| | | | | | | |
| | | | | | | |
| | | | | | | |

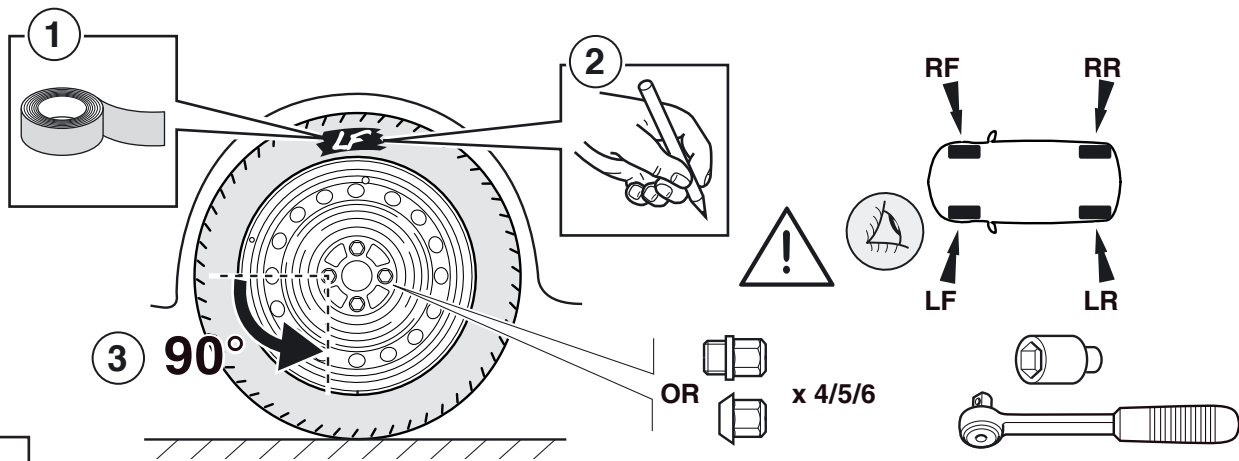




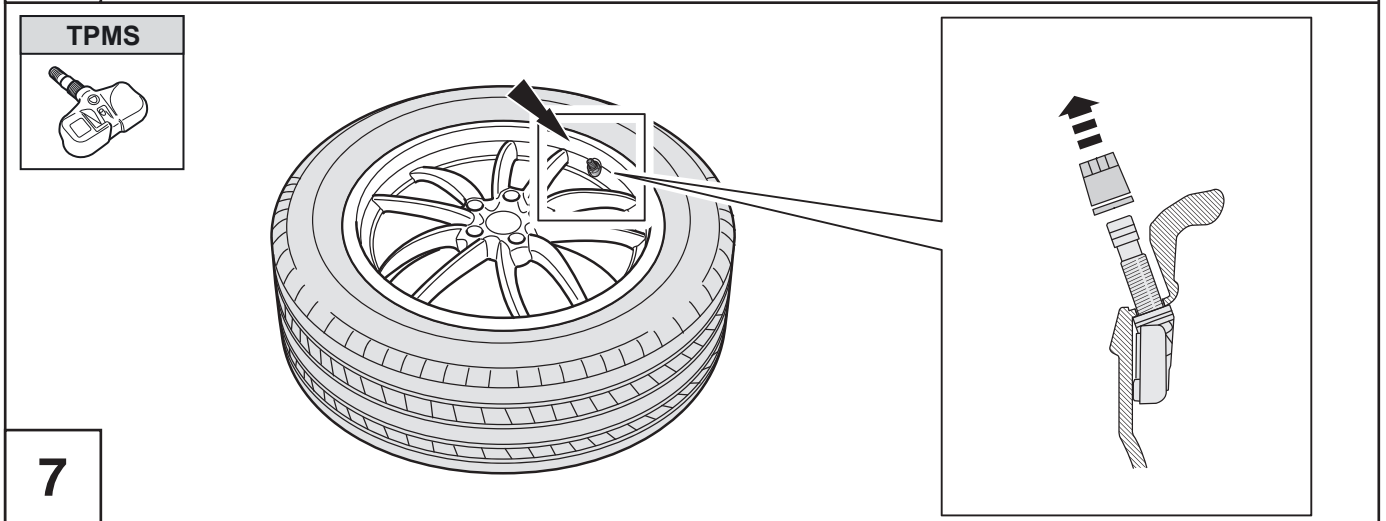
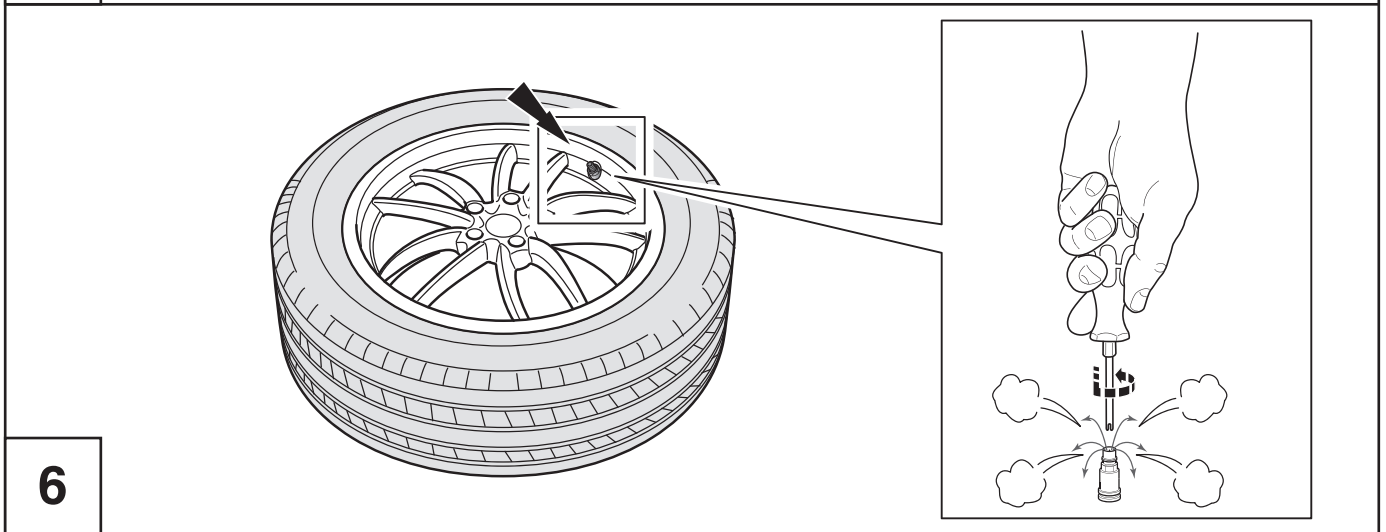
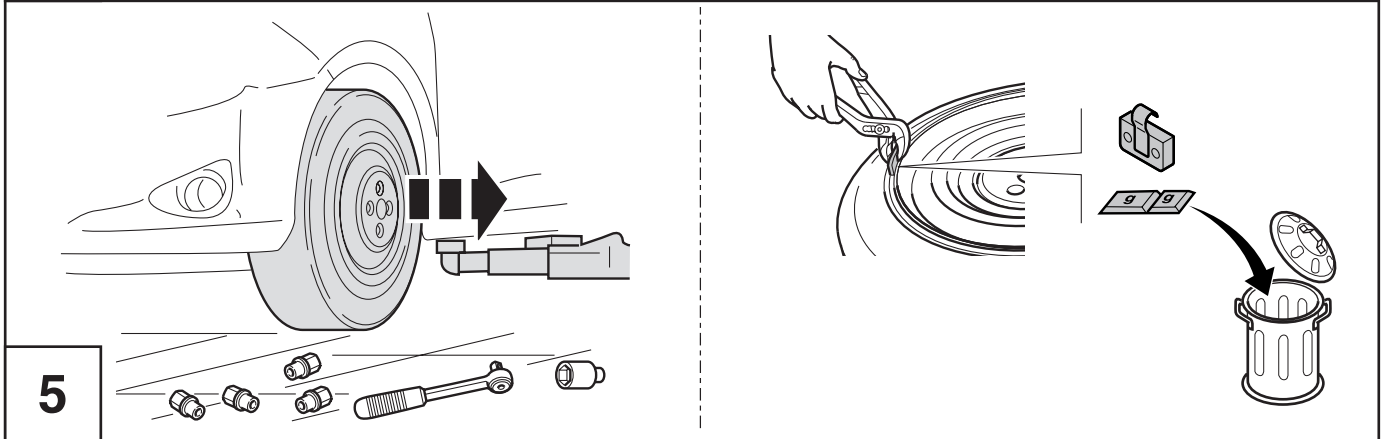
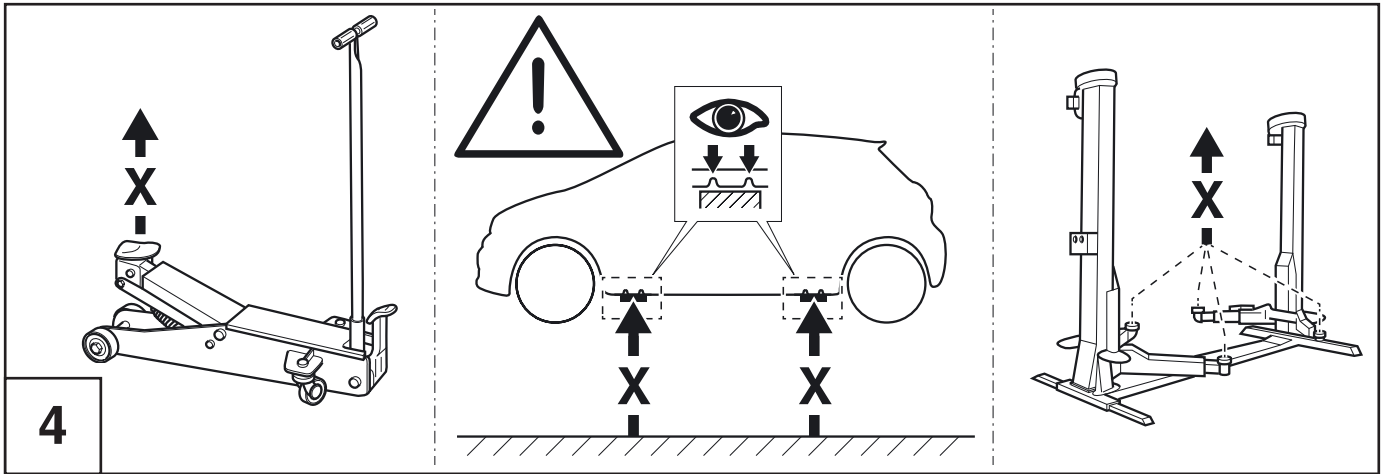
1

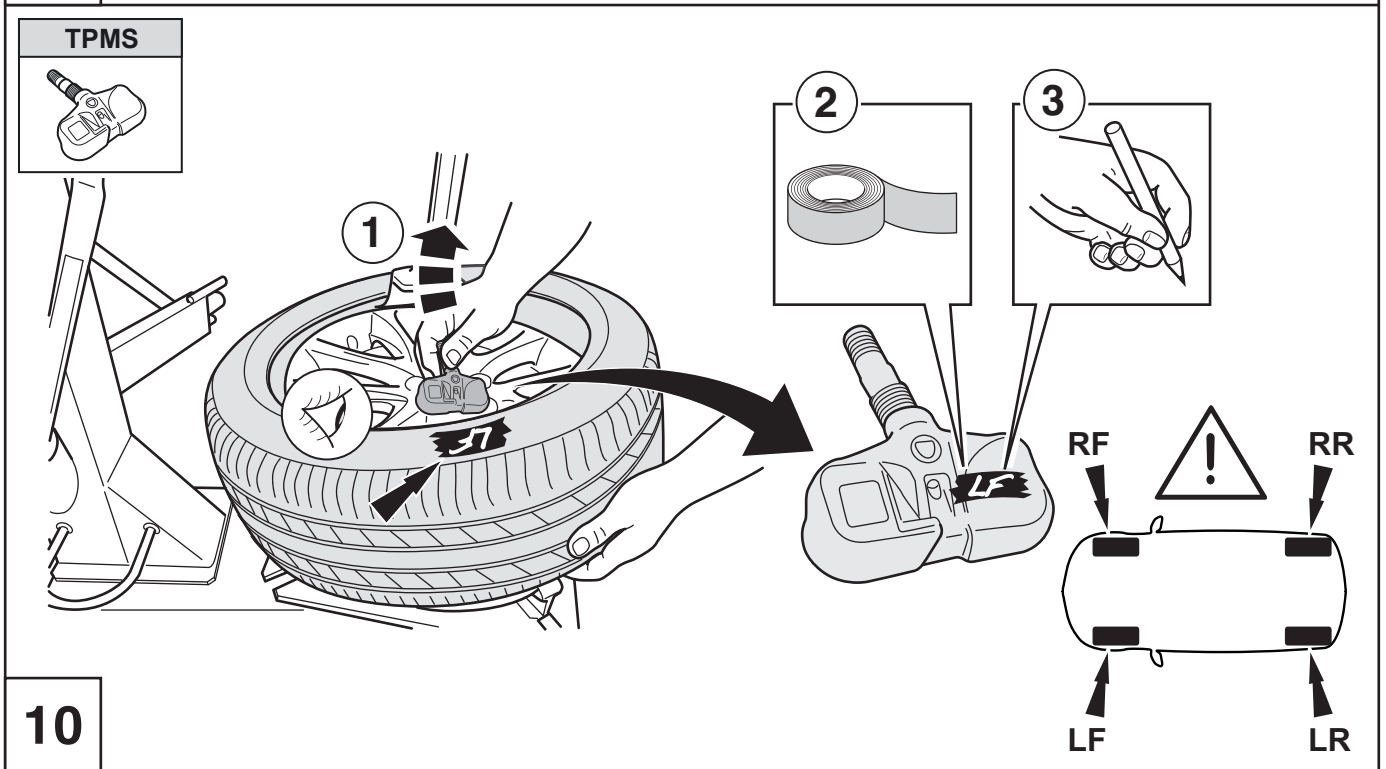
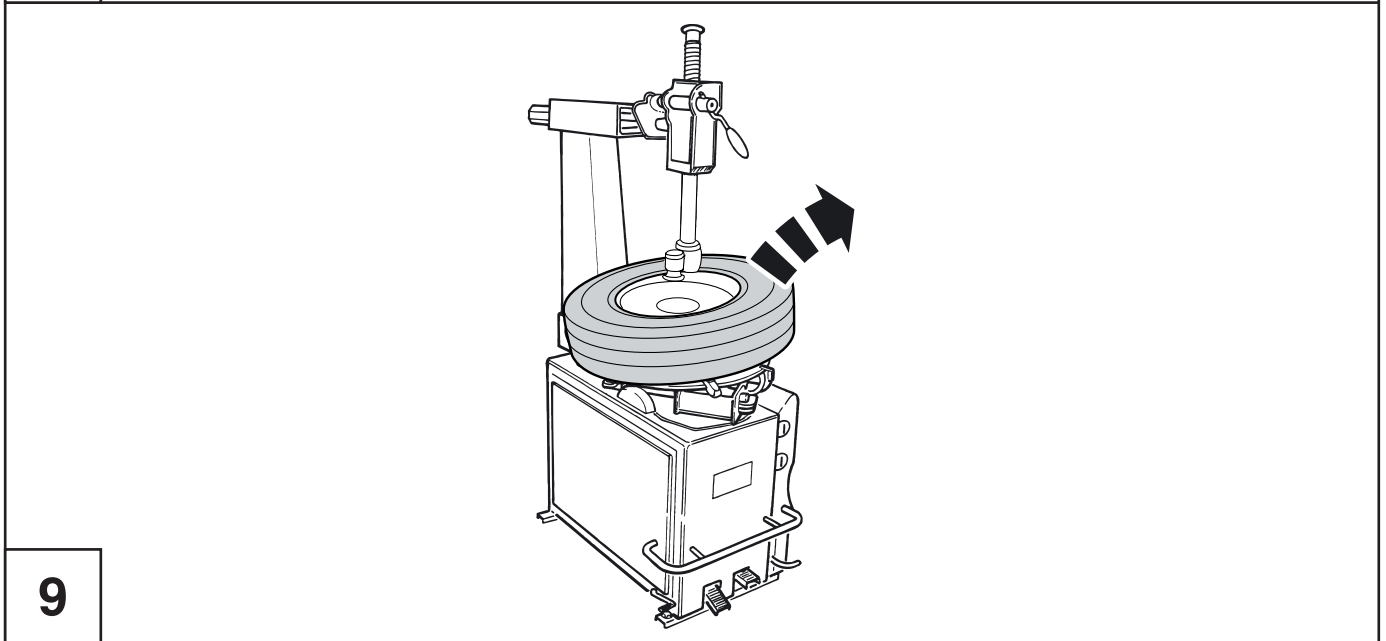
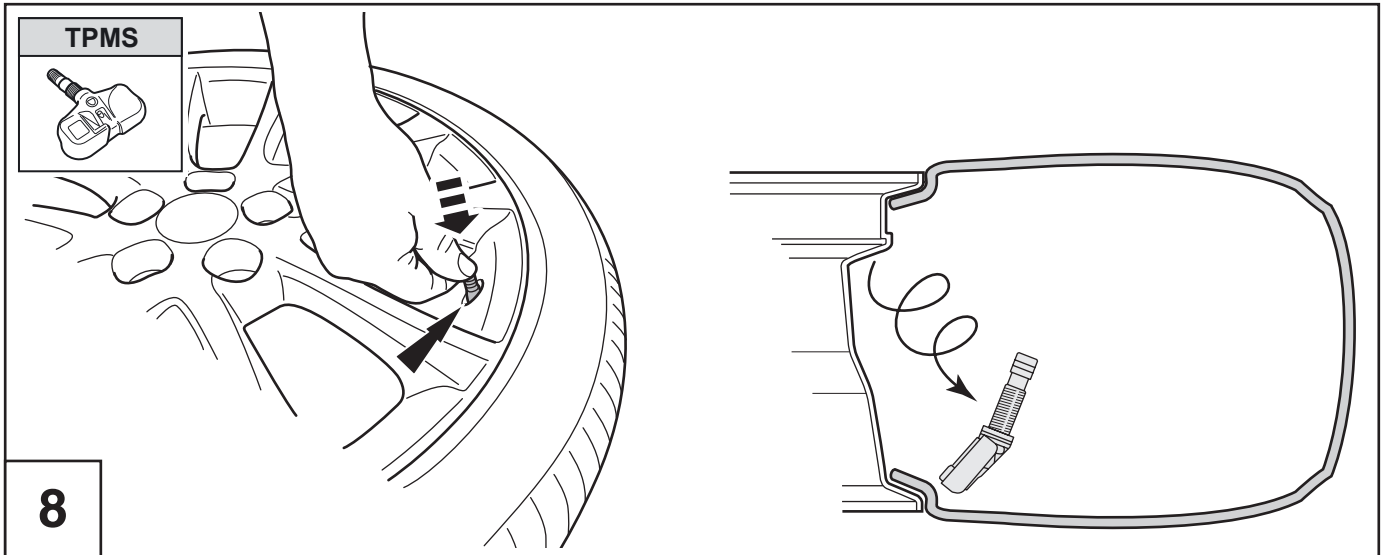


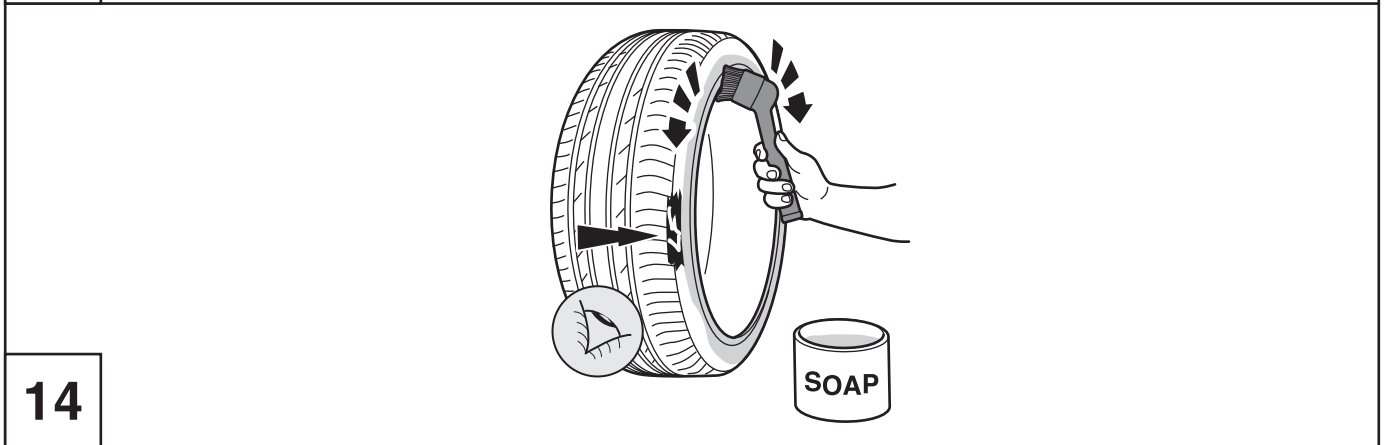
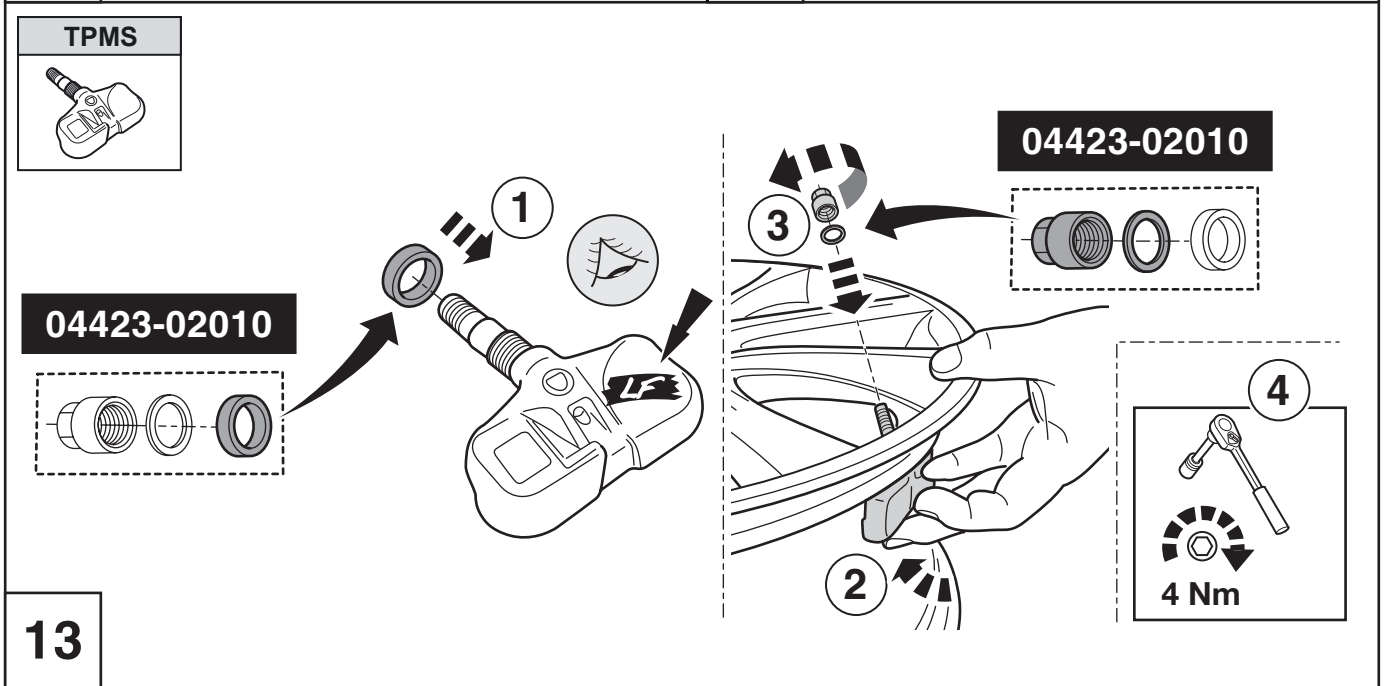
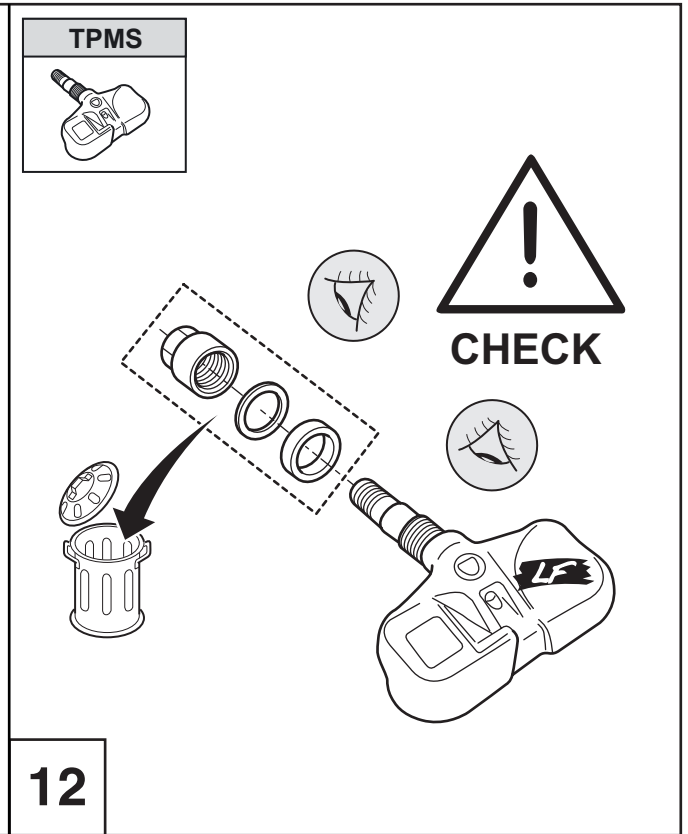
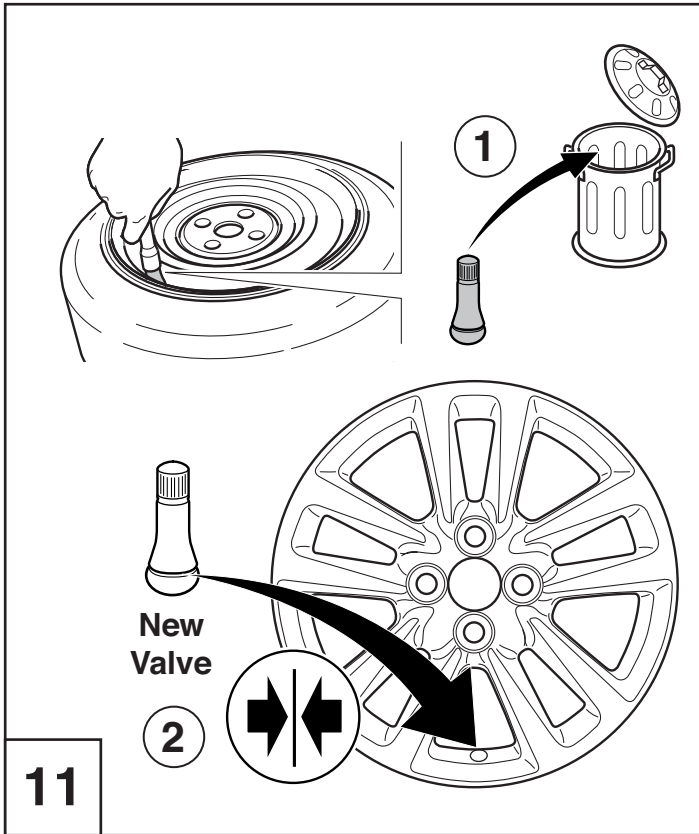
2

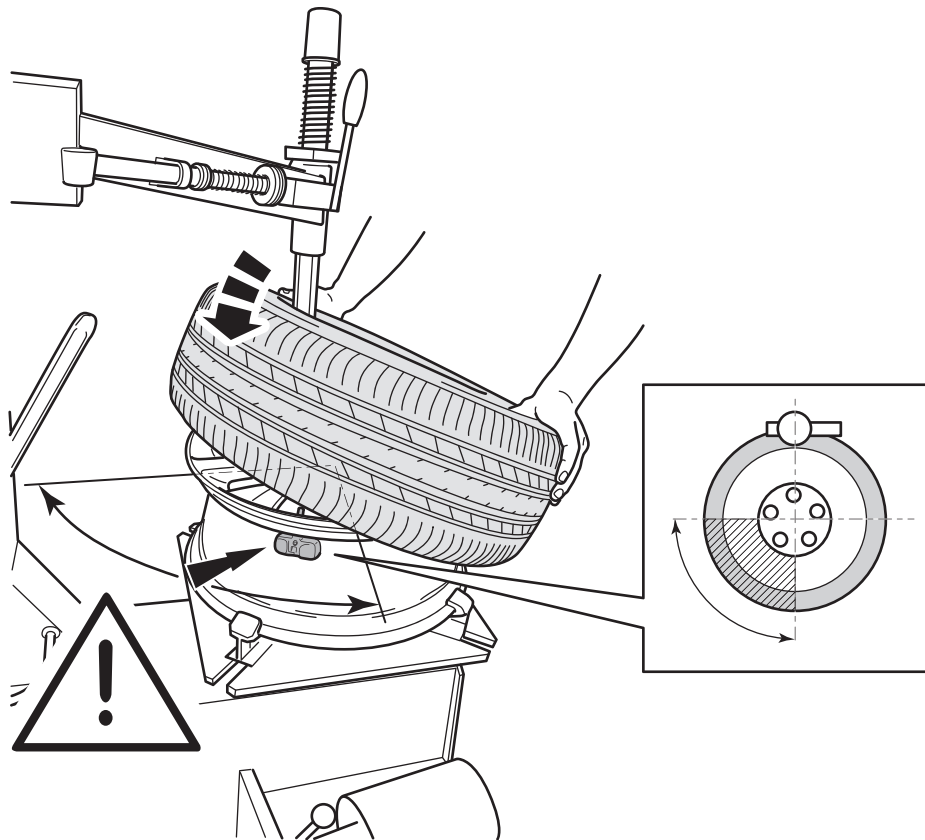
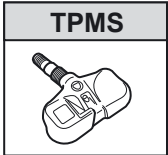
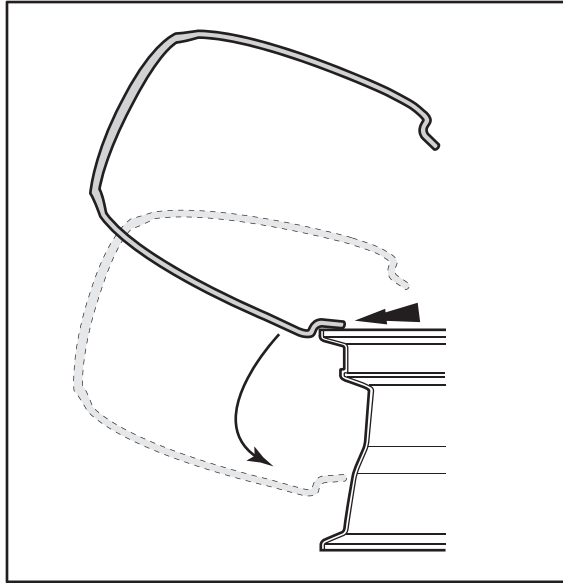
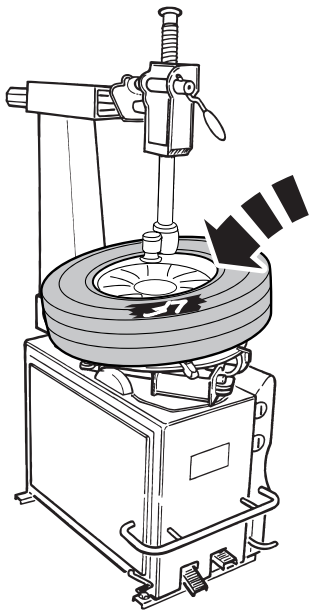


3

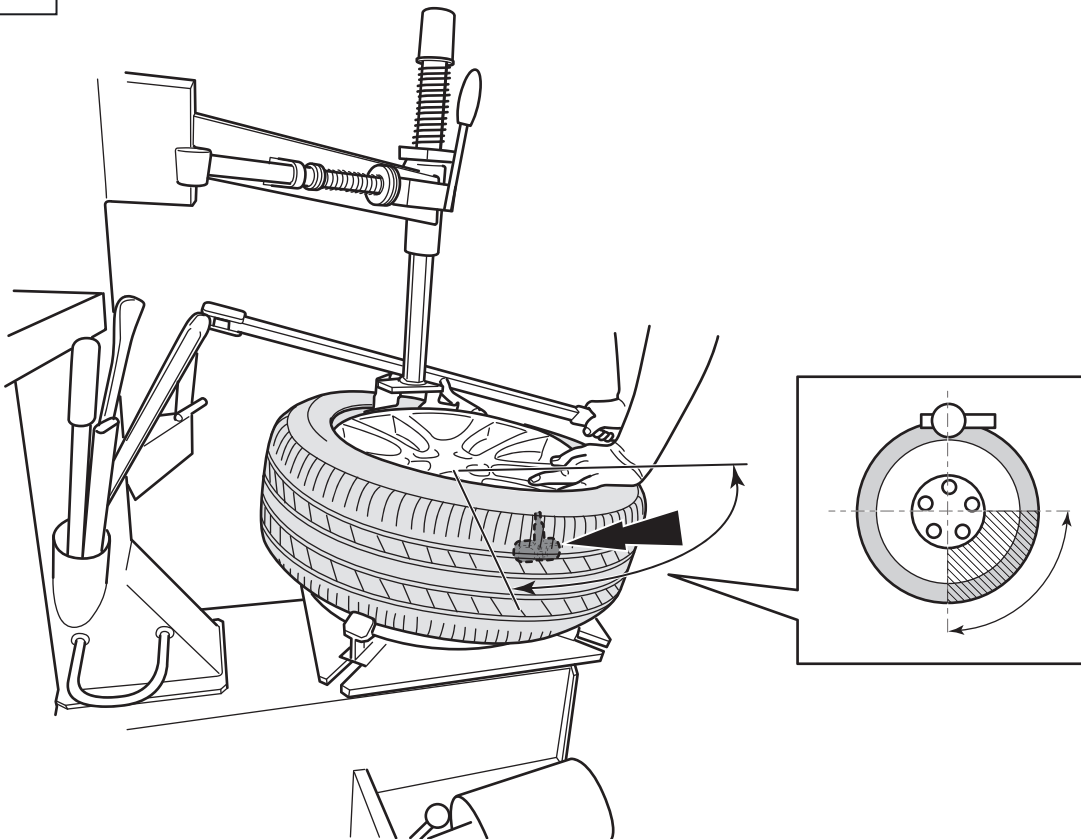
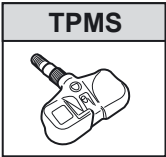
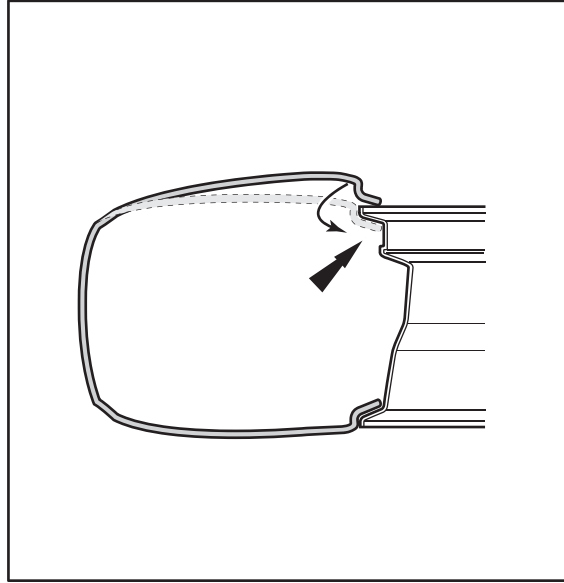
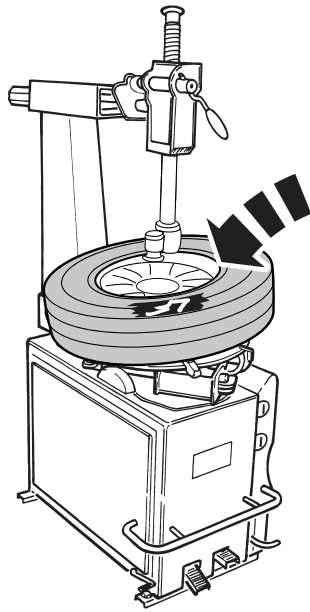




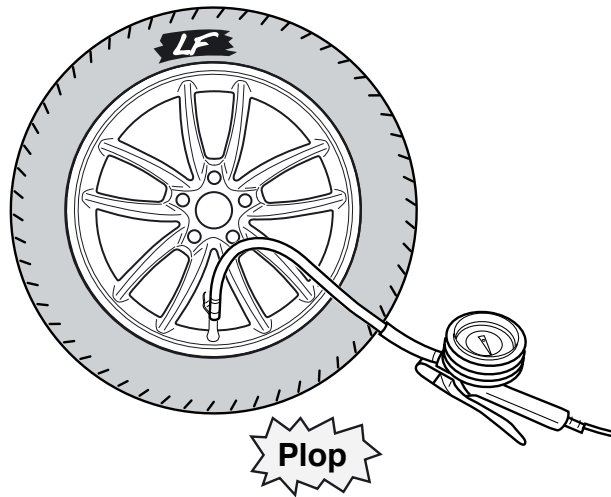




15

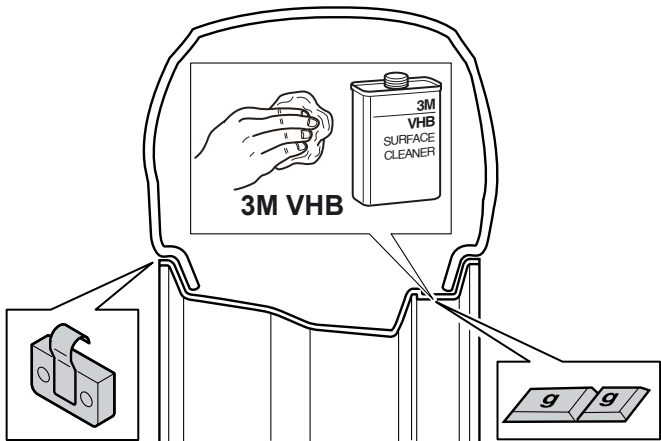
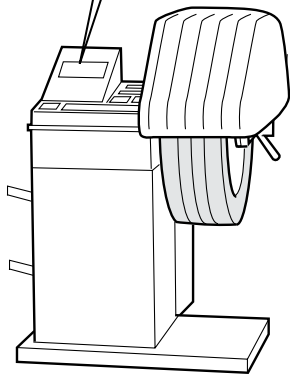


16



17

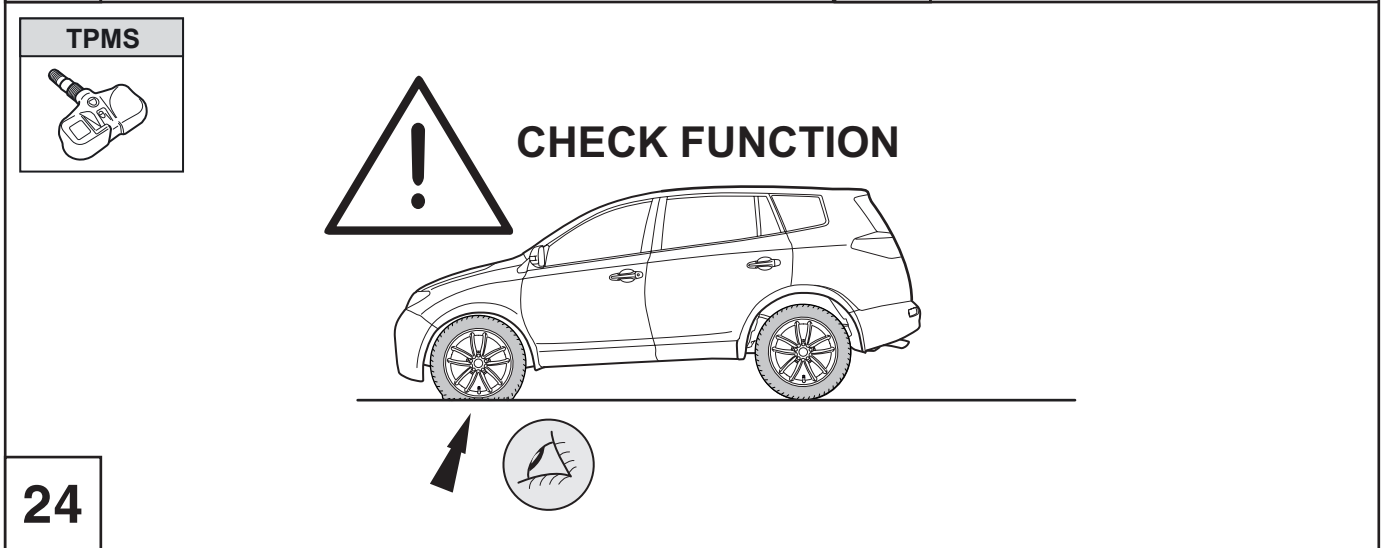
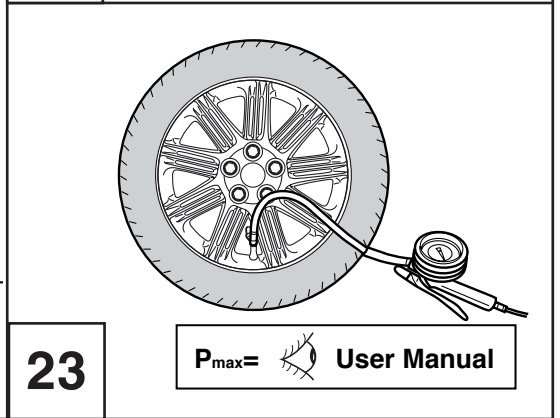
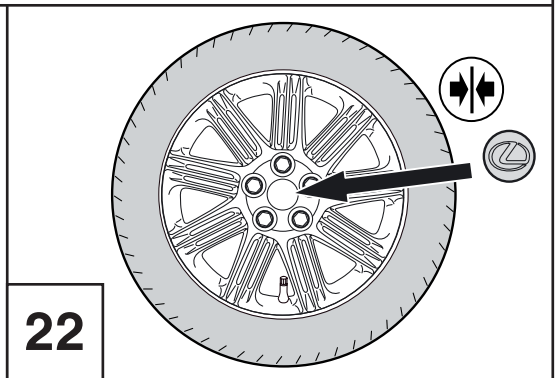
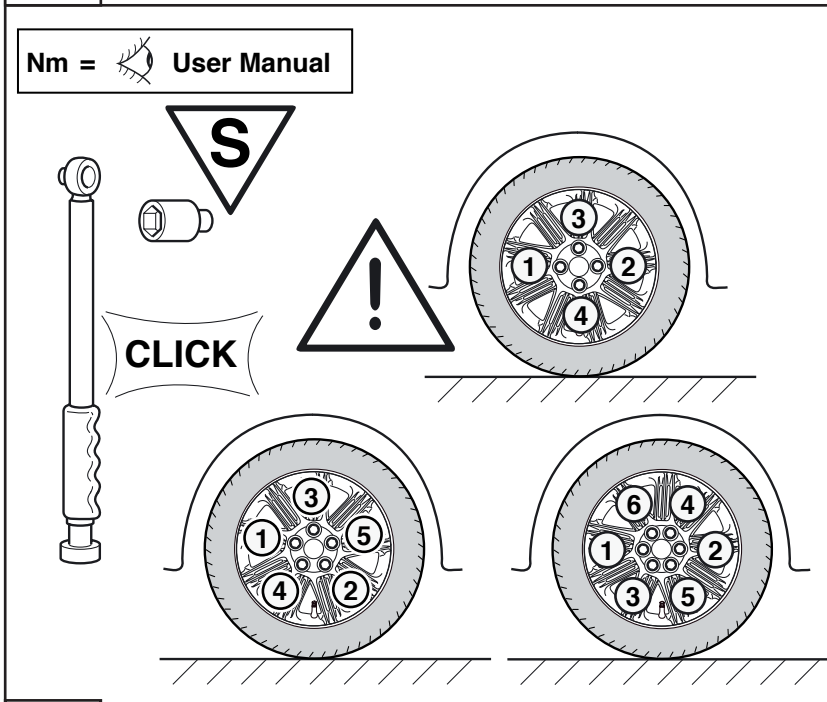
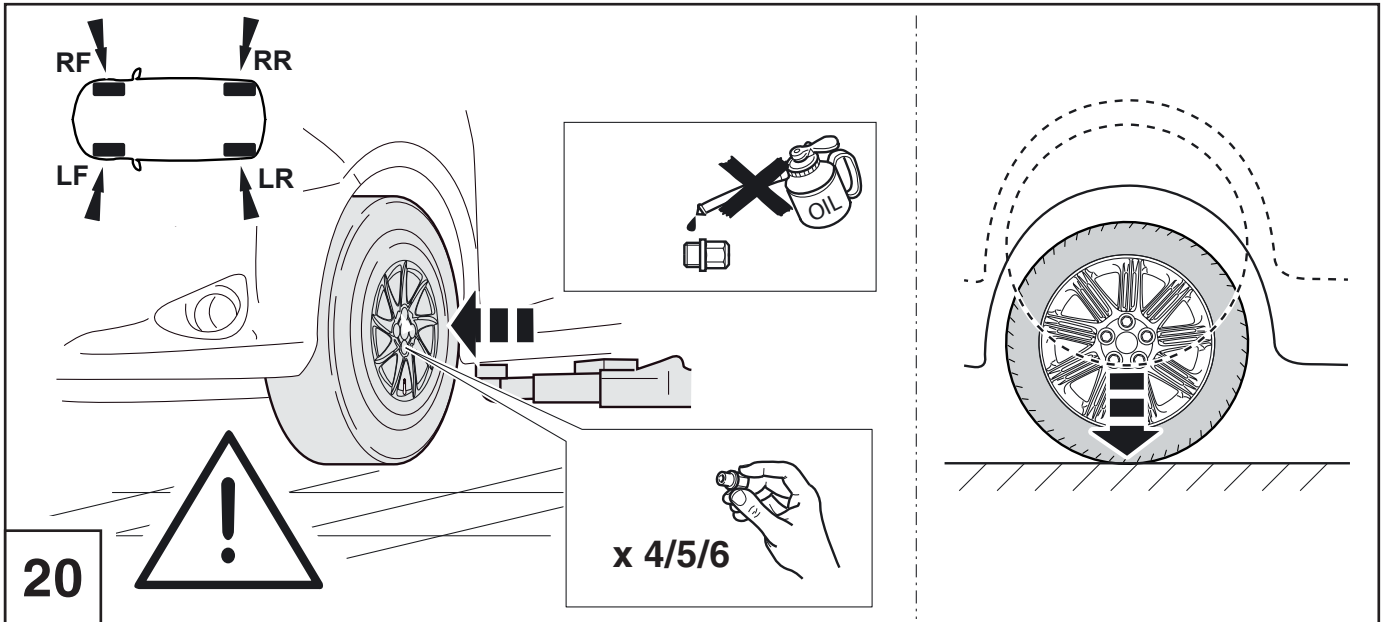
"Dynamic Mode"



18



19



Model / Year

Alloy Wheels/Disc Wheels

VIN n°

P/N = OK

=A =B

S Brand "A"
XXX/RXX/XX

A B

S

Serial Number

 Nm

A B A B

A B A B

TPMS

4 Nm

Serial Number

 RF = RF RR = RR

 LF = LF LR = LR

TPMS CHECK FUNCTION

1

P_{max} **User Manual**

2

3

OE Bolts

RF = RF RR = RR

LF = LF LR = LR

20

= OK

Installation Date:

.. / .. / ..

Technician Name & Signature:

Stamp: