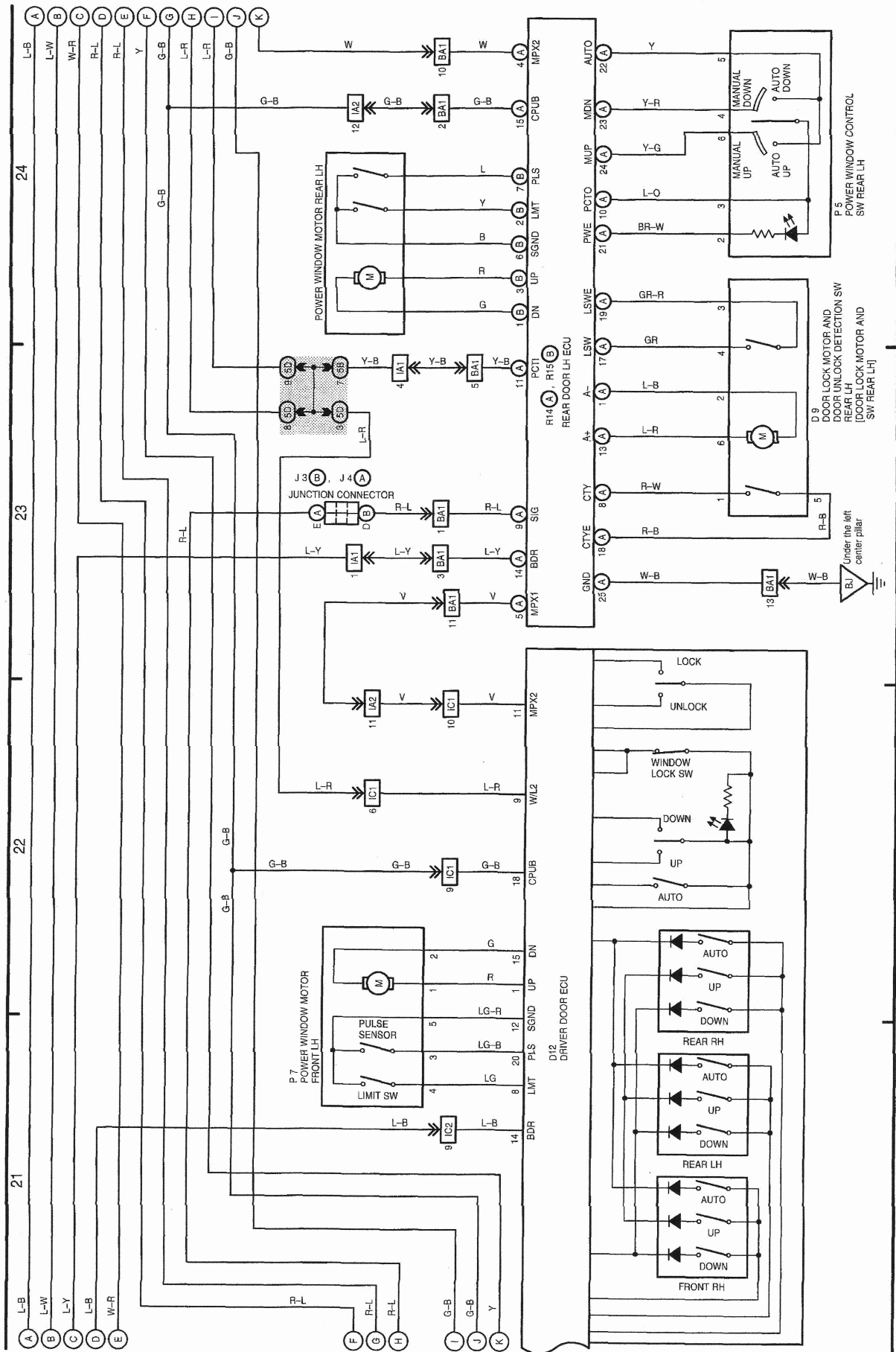


Multiplex Communication System (LHD)



# N OVERALL ELECTRICAL WIRING DIAGRAM

(Cont. next page)

10 RX 300 (Cont' d)

## Multiplex Communication System (LHD)

