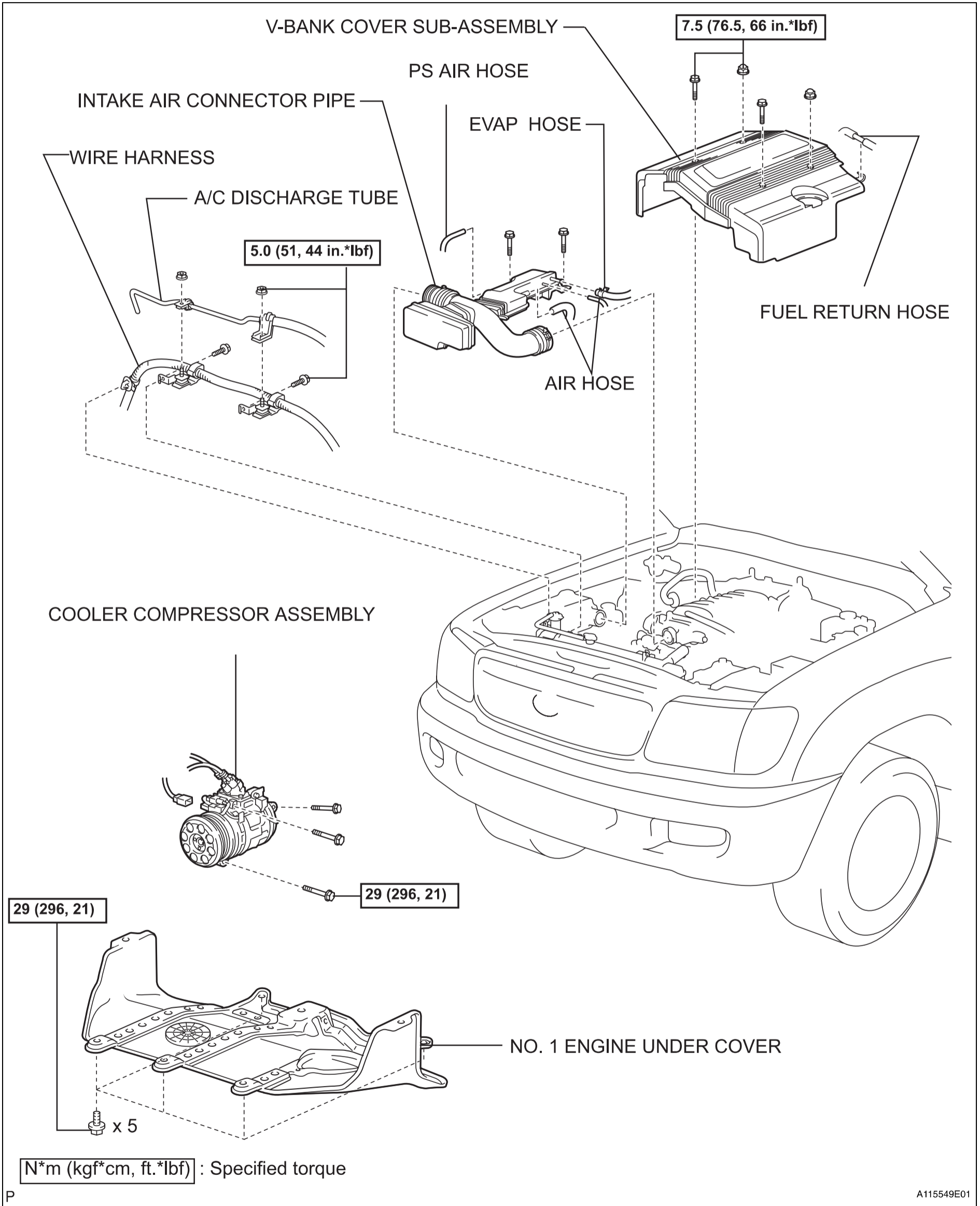
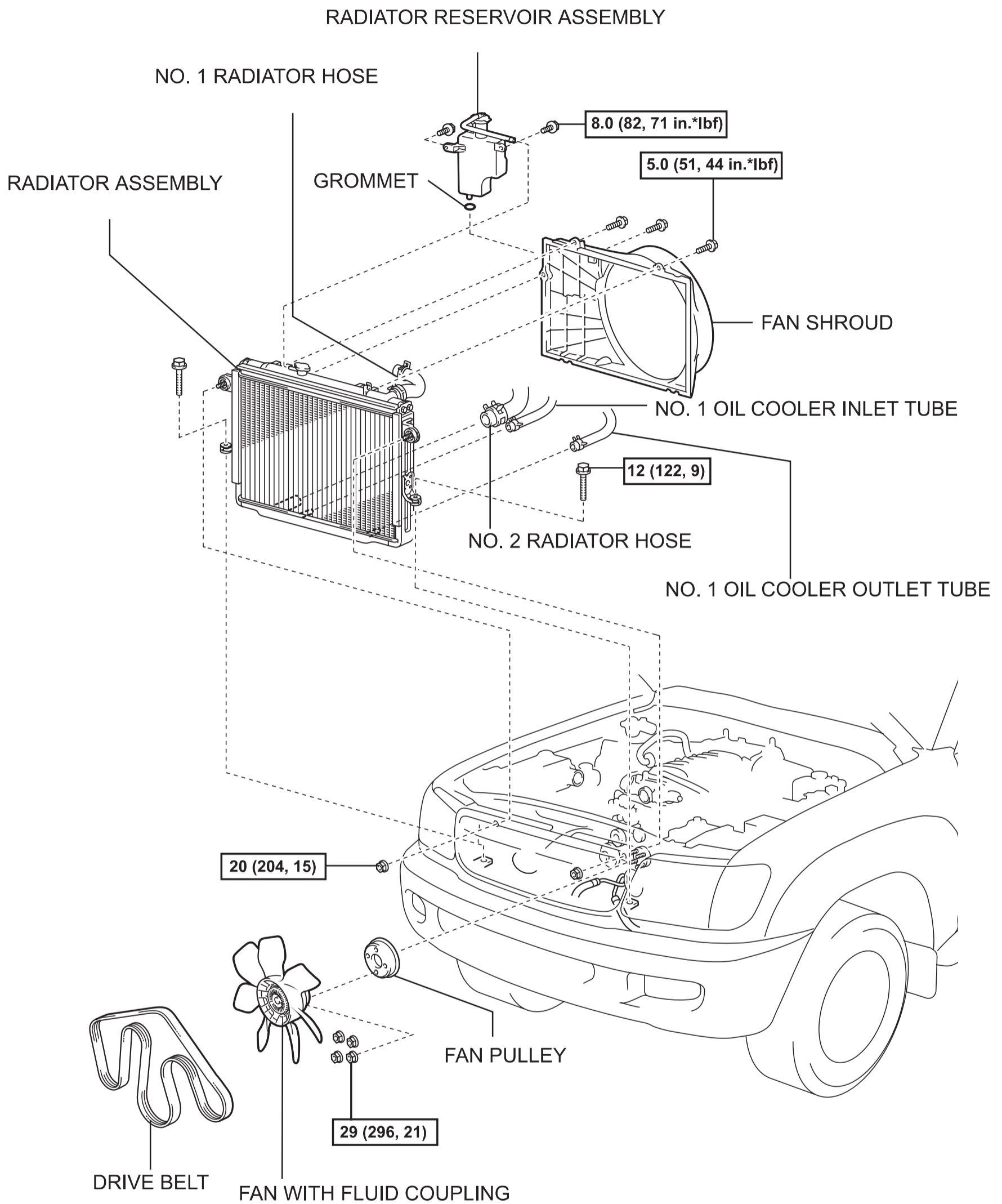


WATER PUMP COMPONENTS



CO

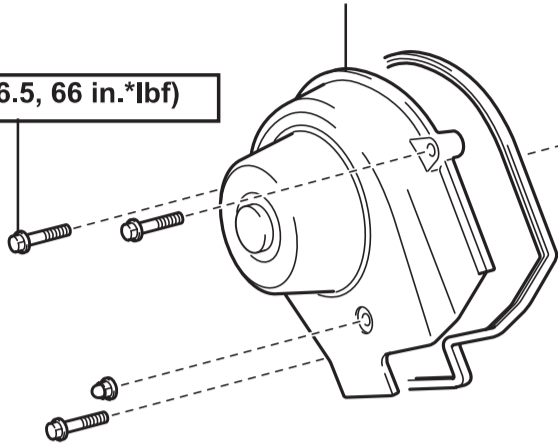


CO

N*m (kgf*cm, ft.*lbf) : Specified torque

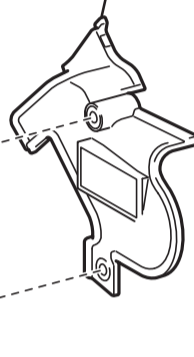
NO. 3 TIMING BELT COVER SUB-ASSEMBLY RH

7.5 (76.5, 66 in.*lbf)



NO. 2 TIMING BELT COVER SUB-ASSEMBLY

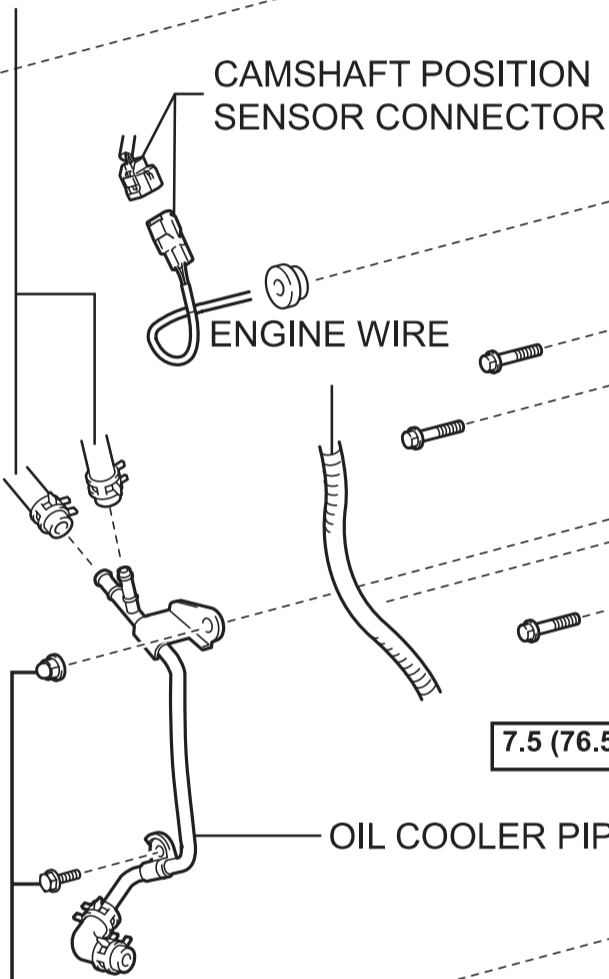
16 (163, 12)



WATER BY-PASS HOSE

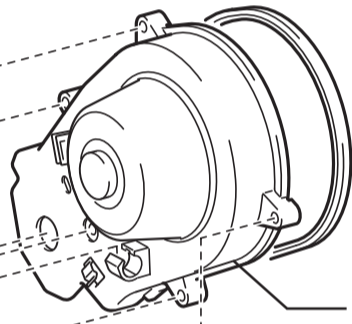
CAMSHAFT POSITION SENSOR CONNECTOR

ENGINE WIRE



NO. 3 TIMING BELT COVER SUB-ASSEMBLY LH

7.5 (76.5, 66 in.*lbf)

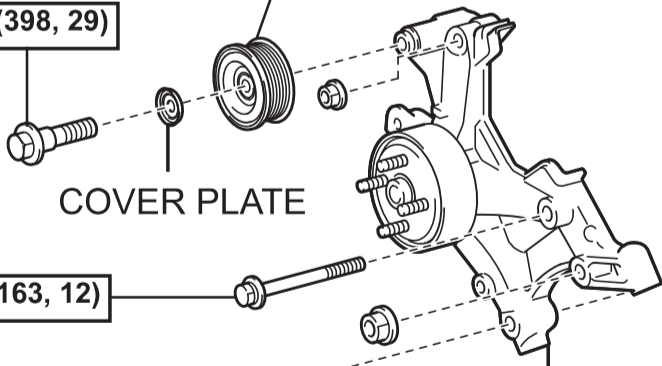


OIL COOLER PIPE

7.5 (76.5, 66 in.*lbf)

NO. 2 IDLER PULLEY SUB-ASSEMBLY

39 (398, 29)

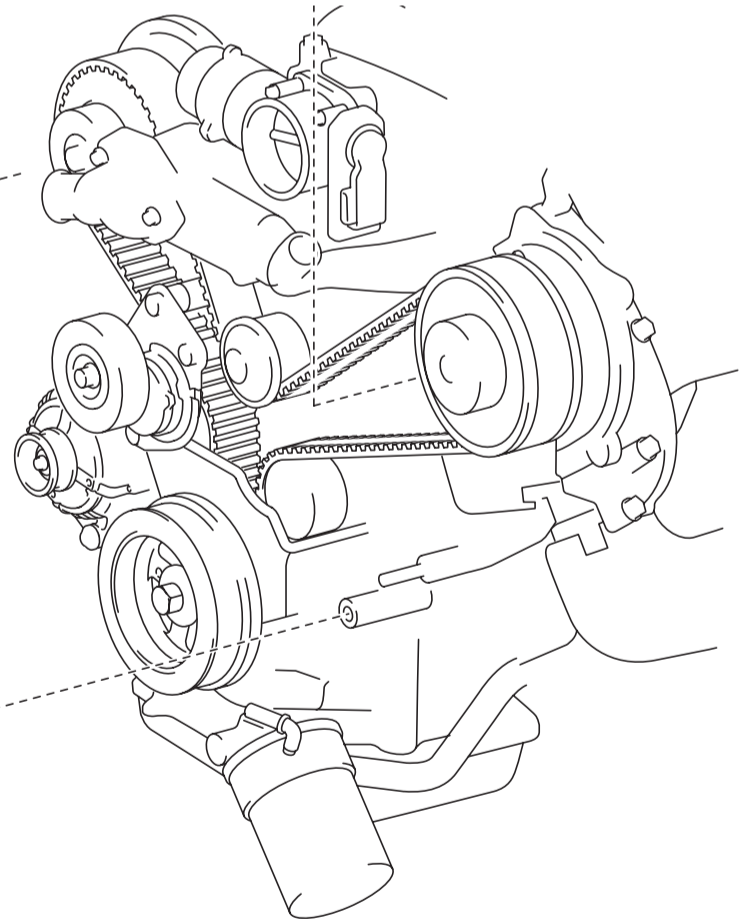


COVER PLATE

16 (163, 12)

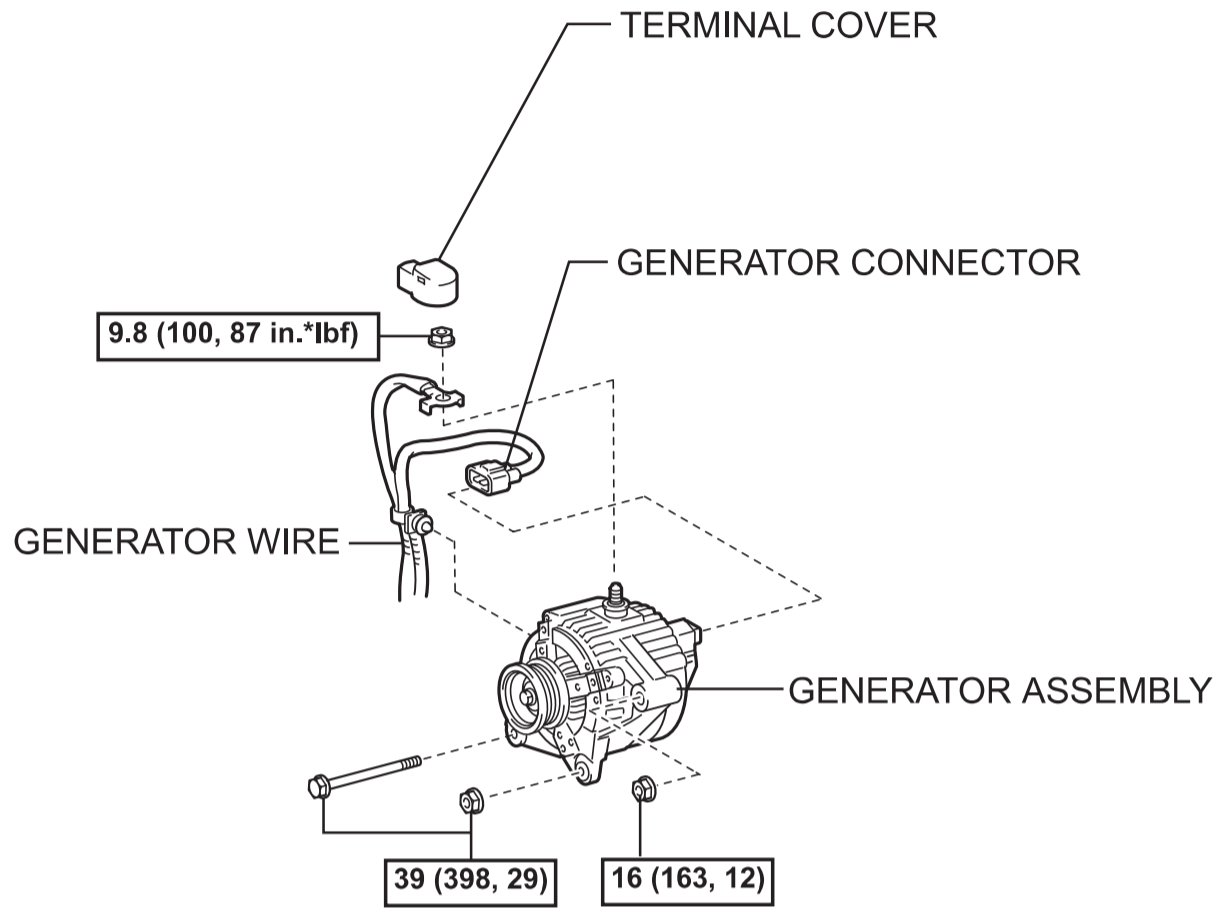
FAN BRACKET SUB-ASSEMBLY

32 (326, 24)

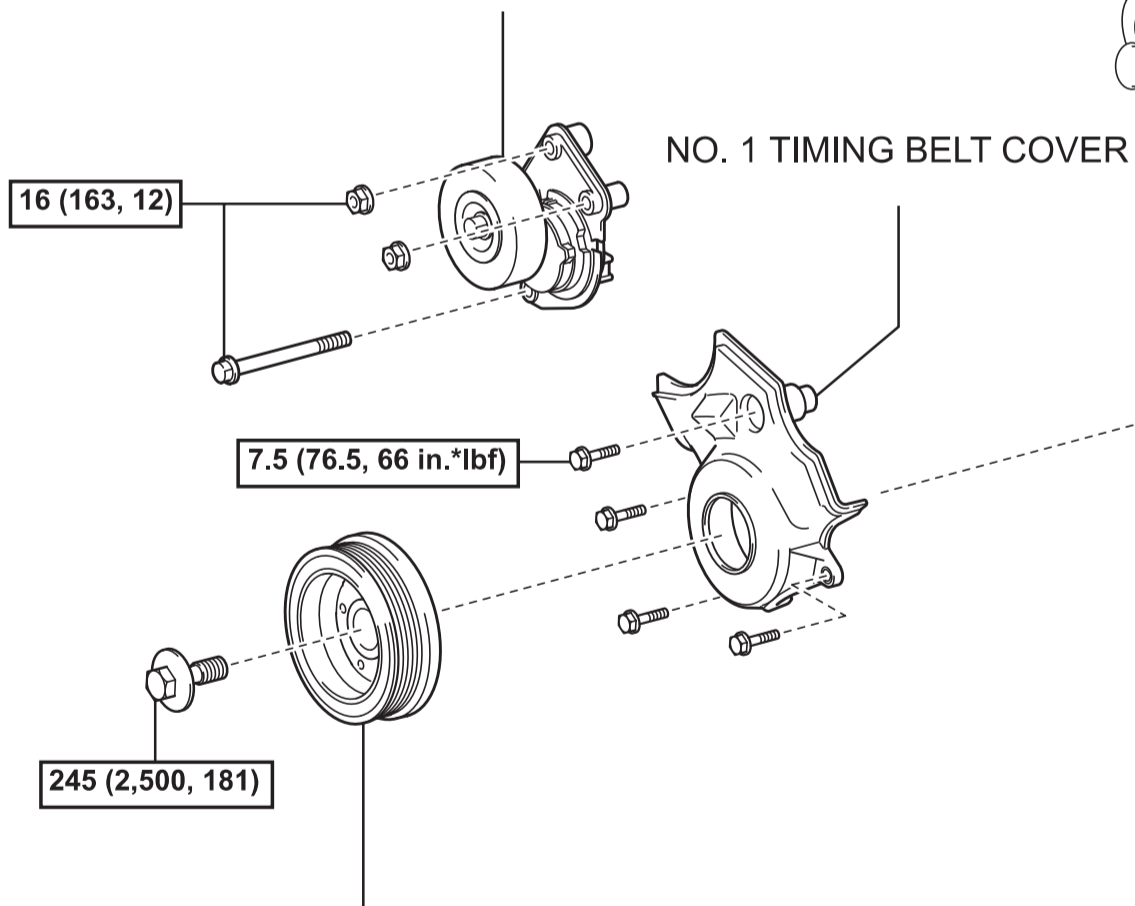


[N*m (kgf*cm, ft.*lbf)] : Specified torque

CO

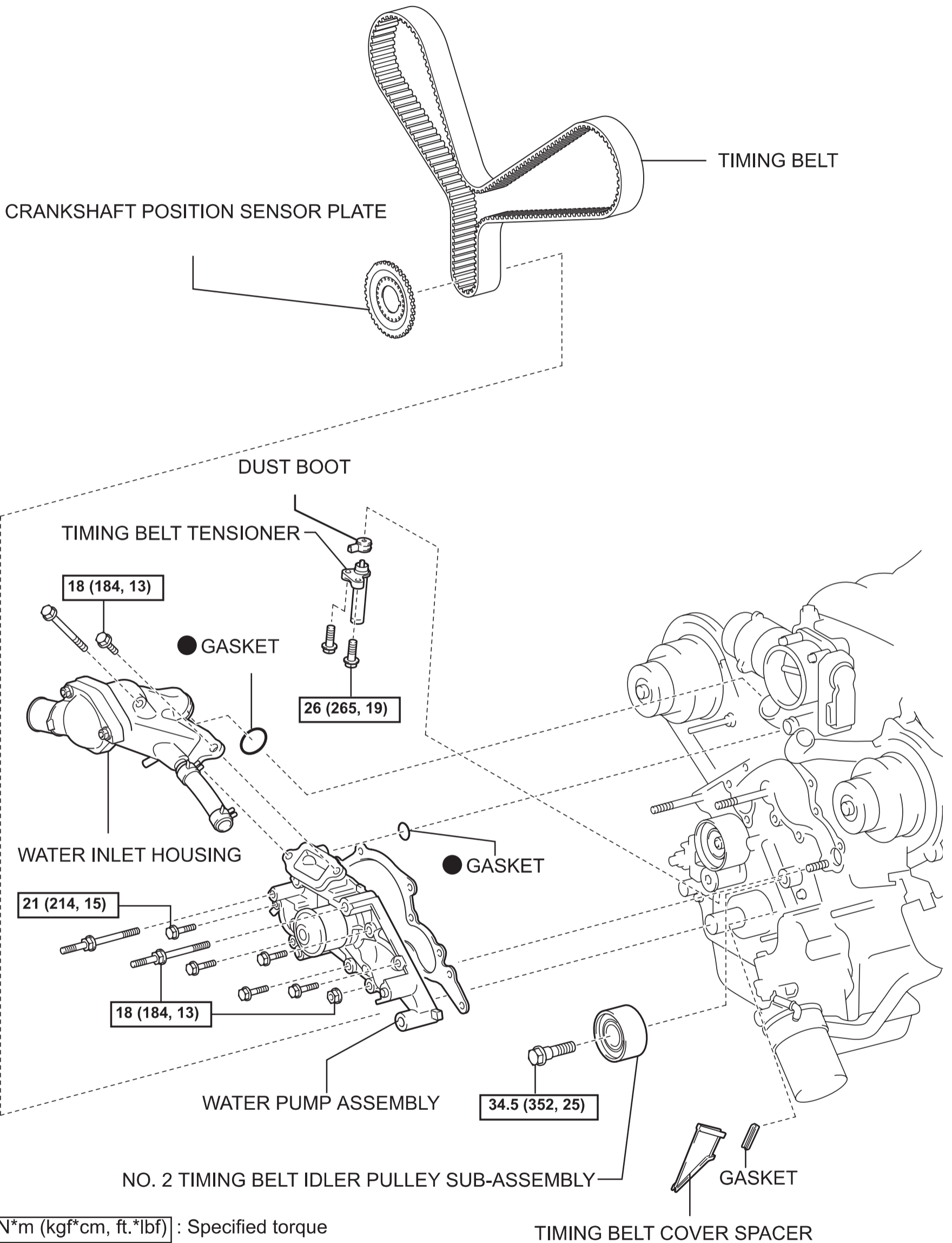


DRIVE BELT TENSIONER ASSEMBLY



N*m (kgf*cm, ft.*lbf) : Specified torque

CO



CO