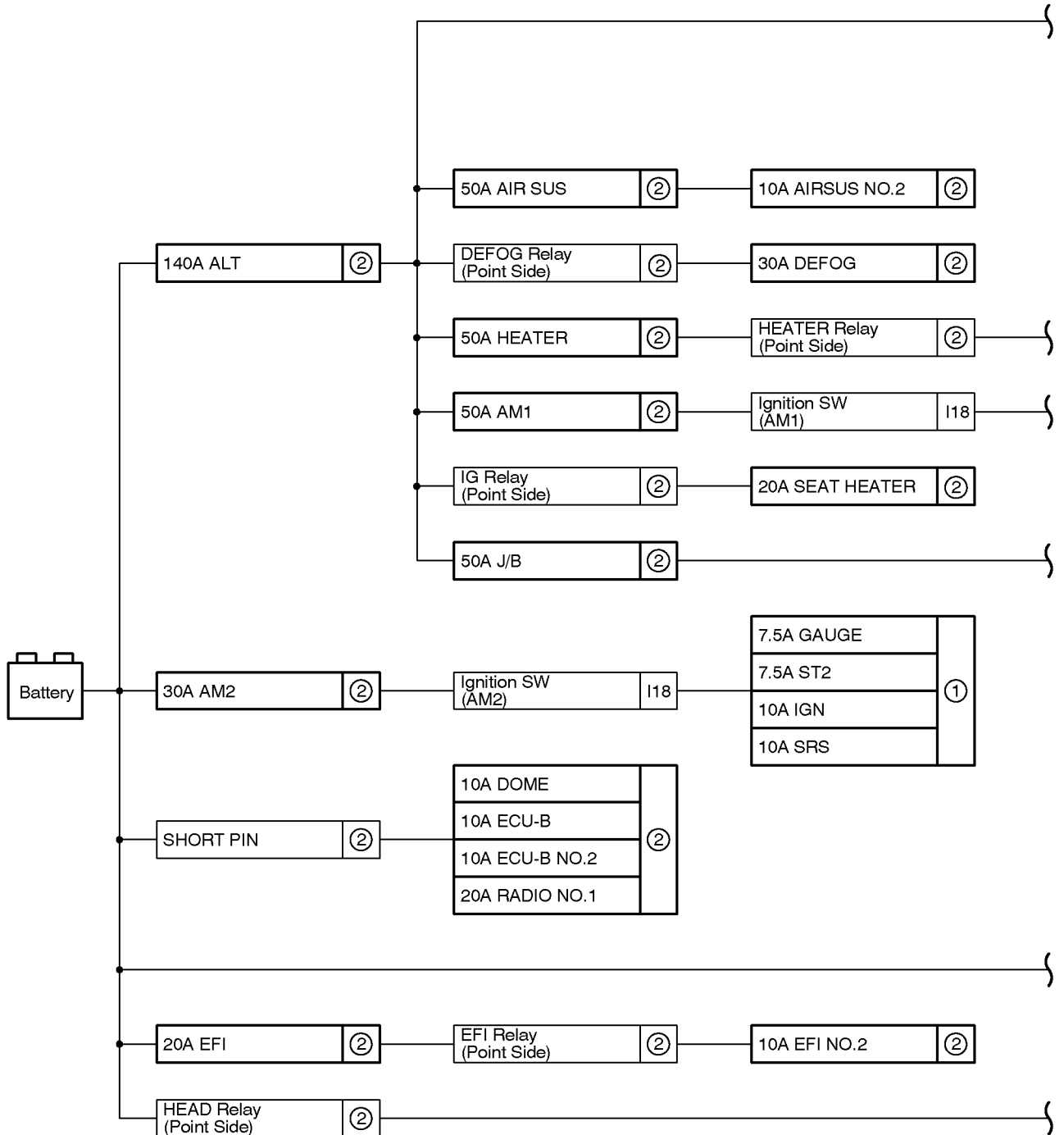


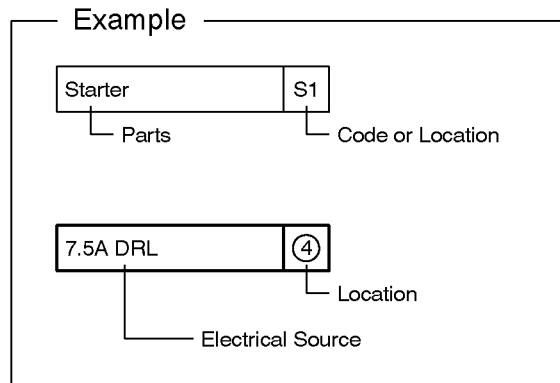
J POWER SOURCE (Current Flow Chart)

The chart below shows the route by which current flows from the battery to each electrical source (Fusible Link, Circuit Breaker, Fuse, etc.) and other Parts.



7.5A OBD
10A MIR HEATER
10A STOP
15A FR FOG
15A AC115V INV
20A CDS FAN
30A BATT CHG
30A TOWING BRK
30A RR A/C
40A TOWING

②



7.5A HEATER NO.2	②
------------------	---

7.5A ACC
7.5A STA
10A CIG
10A ECU-IG
10A IG1
10A IG1 NO.2
15A RR WIP
15A RR WSH
20A DIFF
20A TEMS
30A FR WIP-WSH

①

TAIL Relay (Point Side)	①
-------------------------	---

10A PANEL	①
10A TAIL	①

15A PWR OUTLET
20A D RR P/W
20A P FR P/W
20A P RR P/W
30A D P/SEAT
30A P P/SEAT
30A POWER

①

7.5A ALT-S
7.5A MAYDAY
10A ETCS
10A HORN
15A TRN-HAZ
20A D FR P/W
20A EFI
25A DR/LCK
30A RADIO NO.2
30A TOWING
40A ABS MTR
50A ABS SOL

②

10A HEAD (HI LH)
10A HEAD (HI RH)
10A HEAD (LO LH)
10A HEAD (LO RH)

②

[LOCATION]

① : Driver Side J/B (See Page 26)

② : Engine Room R/B (See Page 22)

J POWER SOURCE (Current Flow Chart)

Driver Side J/B (See Page 26)

Fuse		System	Page
7.5A	ACC	Accesory Meter	316
		Audio System (w/ Rear Seat Entertainment System)	354
		Audio System (w/o Rear Seat Entertainment System)	370
		Automatic Light Control	128
		Back-Up Light	162
		Center Differential Lock	252
		Cigarette Lighter and Power Outlet (12V)	282
		Cruise Control	226
		Door Lock Control and Theft Deterent	194
		Electronically Controlled Transmission and A/T Indicator	216
		Engine Control	76
		Front Wiper and Washer (w/ Rain Sensor)	172
		Headlight	120
		Interior Light	140
		Key Reminder and Seat Belt Warning	164
		LEXUS Link System (Mayday System)	320
		LEXUS Navigation System with Rear Seat Entertainment System (From Nov. 2003 Production)	326
		LEXUS Navigation System with Rear Seat Entertainment System (Production From Aug. 2003 to Oct. 2003)	342
		LEXUS Navigation System without Rear Seat Entertainment System (From Nov. 2003 Production)	334
		LEXUS Navigation System without Rear Seat Entertainment System (Production From Aug. 2003 to Oct. 2003)	348
		LEXUS Parking Assist (Rear View Monitor) with Rear Seat Entertainment System (From Nov. 2003 Production)	326
		LEXUS Parking Assist (Rear View Monitor) without Rear Seat Entertainment System (From Nov. 2003 Production)	334
		Light Auto Turn Off System	132
		Moon Roof	262
		Multiplex Communication System	94
		Power Seat (Driver's Seat w/ Driving Position Memory)	292
		Power Tilt and Power Telescopic	274
		Power Window	186
Remote Control Mirror	268		
Shift Lock	280		
Trailer Towing	306		
VSC	232		
Wireless Door Lock Control	206		
7.5A	GAUGE	Accesory Meter	316
		Air Conditioning	390
		Audio System (w/ Rear Seat Entertainment System)	354
		Audio System (w/o Rear Seat Entertainment System)	370
		Center Differential Lock	252

* These are the page numbers of the first page on which the related system is shown.

Fuse		System	Page
7.5A	GAUGE	Charging	74
		Combination Meter	380
		Cruise Control	226
		Door Lock Control and Theft Deterent	194
		Electric Modulated Air Suspension	240
		Electronically Controlled Transmission and A/T Indicator	216
		Engine Control	76
		Front Wiper and Washer (w/ Rain Sensor)	172
		Interior Light	140
		Key Reminder and Seat Belt Warning	164
		Kinetic Dynamic Suspension System	248
		LEXUS Link System (Mayday System)	320
		LEXUS Navigation System with Rear Seat Entertainment System (From Nov. 2003 Production)	326
		LEXUS Navigation System with Rear Seat Entertainment System (Production From Aug. 2003 to Oct. 2003)	342
		LEXUS Navigation System without Rear Seat Entertainment System (From Nov. 2003 Production)	334
		LEXUS Navigation System without Rear Seat Entertainment System (Production From Aug. 2003 to Oct. 2003)	348
		LEXUS Parking Assist (Rear View Monitor) with Rear Seat Entertainment System (From Nov. 2003 Production)	326
		LEXUS Parking Assist (Rear View Monitor) without Rear Seat Entertainment System (From Nov. 2003 Production)	334
		Moon Roof	262
		Multiplex Communication System	94
Rear Wiper and Washer	182		
SRS	255		
Taillight and Illumination	150		
Tire Pressure Warning System	168		
VSC	232		
7.5A	ST2	Electronically Controlled Transmission and A/T Indicator	216
		Engine Control	76
		Starting	68
10A	CIG	Cigarette Lighter and Power Outlet (12V)	282
10A	ECU-IG	Accessory Meter	316
		Automatic Light Control	128
		Door Lock Control and Theft Deterent	194
		Electric Modulated Air Suspension	240
		Electric Tension Reducer	290
		Engine Immobilizer System	88
		Front Wiper and Washer (w/ Rain Sensor)	172
		Headlight	120
		Interior Light	140
		Key Reminder and Seat Belt Warning	164

* These are the page numbers of the first page on which the related system is shown.

J POWER SOURCE (Current Flow Chart)

Fuse		System	Page
10A	ECU-IG	Kinetic Dynamic Suspension System	248
		LEXUS Navigation System with Rear Seat Entertainment System (From Nov. 2003 Production)	326
		LEXUS Navigation System with Rear Seat Entertainment System (Production From Aug. 2003 to Oct. 2003)	342
		LEXUS Navigation System without Rear Seat Entertainment System (From Nov. 2003 Production)	334
		LEXUS Navigation System without Rear Seat Entertainment System (Production From Aug. 2003 to Oct. 2003)	348
		LEXUS Parking Assist (Rear View Monitor) with Rear Seat Entertainment System (From Nov. 2003 Production)	326
		LEXUS Parking Assist (Rear View Monitor) without Rear Seat Entertainment System (From Nov. 2003 Production)	334
		Light Auto Turn Off System	132
		Moon Roof	262
		Multiplex Communication System	94
		Power Seat (Driver's Seat w/ Driving Position Memory)	292
		Power Tilt and Power Telescopic	274
		Power Window	186
		Rear Wiper and Washer	182
		Remote Control Mirror	268
		Shift Lock	280
		Stop Light	158
		Tire Pressure Warning System	168
Trailer Towing	306		
VSC	232		
Wireless Door Lock Control	206		
10A	IGN	Cruise Control	226
		Electronically Controlled Transmission and A/T Indicator	216
		Engine Control	76
		VSC	232
10A	IG1	Air Conditioning	390
		Automatic Glare-Resistant EC Mirror and Compass	286
		Charging	74
		Condenser Fan	388
		Rear Window Defogger	312
Trailer Towing	306		
10A	IG1 NO.2	Air Conditioning	390
		Back-Up Light	162
		Center Differential Lock	252
		Cruise Control	226
		Electronically Controlled Transmission and A/T Indicator	216
		Front Wiper and Washer (w/ Rain Sensor)	172
		Key Reminder and Seat Belt Warning	164
Kinetic Dynamic Suspension System	248		

* These are the page numbers of the first page on which the related system is shown.

Fuse		System	Page
10A	IG1 NO.2	LEXUS Navigation System with Rear Seat Entertainment System (From Nov. 2003 Production)	326
		LEXUS Navigation System with Rear Seat Entertainment System (Production From Aug. 2003 to Oct. 2003)	342
		LEXUS Navigation System without Rear Seat Entertainment System (From Nov. 2003 Production)	334
		LEXUS Navigation System without Rear Seat Entertainment System (Production From Aug. 2003 to Oct. 2003)	348
		LEXUS Parking Assist (Rear View Monitor) with Rear Seat Entertainment System (From Nov. 2003 Production)	326
		LEXUS Parking Assist (Rear View Monitor) without Rear Seat Entertainment System (From Nov. 2003 Production)	334
		Mirror Heater	314
		Multiplex Communication System	94
		Power Outlet (115V)	284
		Power Seat (Driver's Seat w/ Driving Position Memory)	292
		Power Tilt and Power Telescopic	274
		Rear Air Conditioning	402
		Remote Control Mirror	268
		Seat Heater	304
		Taillight and Illumination	150
Trailer Towing	306		
Turn Signal and Hazard Warning Light	136		
VSC	232		
10A	PANEL	Accesory Meter	316
		Multiplex Communication System	94
		Taillight and Illumination	150
10A	SRS	SRS	255
10A	TAIL	Taillight and Illumination	150
		Trailer Towing	306
15A	PWR OUTLET	Cigarette Lighter and Power Outlet (12V)	282
15A	RR WIP	Multiplex Communication System	94
		Rear Wiper and Washer	182
15A	RR WSH	Multiplex Communication System	94
		Rear Wiper and Washer	182
20A	D RR P/W	Multiplex Communication System	94
		Power Window	186
20A	DIFF	Center Differential Lock	252
20A	P FR P/W	Multiplex Communication System	94
		Power Window	186
20A	P RR P/W	Multiplex Communication System	94
		Power Window	186
20A	TEMS	Electric Modulated Air Suspension	240

* These are the page numbers of the first page on which the related system is shown.

J POWER SOURCE (Current Flow Chart)

Fuse		System	Page
30A	D P/SEAT	Power Seat (Driver's Seat w/ Driving Position Memory)	292
		Power Seat (Driver's Seat w/o Driving Position Memory)	298
30A	FR WIP-WSH	Front Wiper and Washer (w/ Rain Sensor)	172
		Front Wiper and Washer (w/o Rain Sensor)	178
30A	P P/SEAT	Power Seat (Front Passenger's Seat)	302
30A	POWER	Moon Roof	262
		Power Tilt and Power Telescopic	274

Engine Room R/B (See Page 22)

Fuse		System	Page
7.5A	ALT-S	Charging	74
7.5A	HEATER NO.2	Air Conditioning	390
7.5A	MAYDAY	LEXUS Link System (Mayday System)	320
7.5A	OBD	Engine Control	76
10A	AIRSUS NO.2	Electric Modulated Air Suspension	240
10A	DOME	Accessory Meter	316
		Air Conditioning	390
		Audio System (w/ Rear Seat Entertainment System)	354
		Audio System (w/o Rear Seat Entertainment System)	370
		Combination Meter	380
		Cruise Control	226
		Door Lock Control and Theft Deterent	194
		Electric Modulated Air Suspension	240
		Electronically Controlled Transmission and A/T Indicator	216
		Engine Control	76
		Front Wiper and Washer (w/ Rain Sensor)	172
		Garage Door Opener	170
		Interior Light	140
		Key Reminder and Seat Belt Warning	164
		LEXUS Navigation System with Rear Seat Entertainment System (From Nov. 2003 Production)	326
		LEXUS Navigation System with Rear Seat Entertainment System (Production From Aug. 2003 to Oct. 2003)	342
		LEXUS Navigation System without Rear Seat Entertainment System (From Nov. 2003 Production)	334
		LEXUS Navigation System without Rear Seat Entertainment System (Production From Aug. 2003 to Oct. 2003)	348
LEXUS Parking Assist (Rear View Monitor) with Rear Seat Entertainment System (From Nov. 2003 Production)	326		
LEXUS Parking Assist (Rear View Monitor) without Rear Seat Entertainment System (From Nov. 2003 Production)	334		
Moon Roof	262		
Multiplex Communication System	94		
Rear Wiper and Washer	182		

* These are the page numbers of the first page on which the related system is shown.

Fuse		System	Page
10A	DOME	Taillight and Illumination	150
		VSC	232
10A	ECU-B	Accesory Meter	316
		Air Conditioning	390
		Automatic Light Control	128
		Door Lock Control and Theft Deterent	194
		Electric Modulated Air Suspension	240
		Engine Immobilizer System	88
		Front Wiper and Washer (w/ Rain Sensor)	172
		Headlight	120
		Interior Light	140
		Key Reminder and Seat Belt Warning	164
		LEXUS Navigation System with Rear Seat Entertainment System (From Nov. 2003 Production)	326
		LEXUS Navigation System with Rear Seat Entertainment System (Production From Aug. 2003 to Oct. 2003)	342
		LEXUS Navigation System without Rear Seat Entertainment System (From Nov. 2003 Production)	334
		LEXUS Navigation System without Rear Seat Entertainment System (Production From Aug. 2003 to Oct. 2003)	348
		LEXUS Parking Assist (Rear View Monitor) with Rear Seat Entertainment System (From Nov. 2003 Production)	326
		LEXUS Parking Assist (Rear View Monitor) without Rear Seat Entertainment System (From Nov. 2003 Production)	334
		Light Auto Turn Off System	132
		Moon Roof	262
		Multiplex Communication System	94
		Power Seat (Driver's Seat w/ Driving Position Memory)	292
		Power Tilt and Power Telescopic	274
		Power Window	186
		Rear Air Conditioning	402
Rear Wiper and Washer	182		
Remote Control Mirror	268		
VSC	232		
Wireless Door Lock Control	206		
10A	ECU-B NO.2	Door Lock Control and Theft Deterent	194
		Multiplex Communication System	94
10A	EFI NO.2	Electronically Controlled Transmission and A/T Indicator	216
		Engine Control	76
10A	ETCS	Cruise Control	226
		Electronically Controlled Transmission and A/T Indicator	216
		Engine Control	76
10A	HEAD(HI LH)	Headlight	120
		Multiplex Communication System	94

* These are the page numbers of the first page on which the related system is shown.

J POWER SOURCE (Current Flow Chart)

Fuse		System	Page
10A	HEAD(HI RH)	Combination Meter	380
		Headlight	120
		Multiplex Communication System	94
10A	HEAD(LO LH)	Combination Meter	380
		Front Fog Light	126
		Headlight	120
		Multiplex Communication System	94
10A	HEAD(LO RH)	Headlight	120
		Multiplex Communication System	94
10A	HORN	Door Lock Control and Theft Deterent	194
		Horn	288
		Multiplex Communication System	94
10A	MIR HEATER	Mirror Heater	314
10A	STOP	Cruise Control	226
		Electric Modulated Air Suspension	240
		Electronically Controlled Transmission and A/T Indicator	216
		Engine Control	76
		Front Wiper and Washer (w/ Rain Sensor)	172
		Kinetic Dynamic Suspension System	248
		Shift Lock	280
		Stop Light	158
		Trailer Towing	306
		VSC	232
15A	AC115V INV	Power Outlet (115V)	284
15A	FR FOG	Front Fog Light	126
15A	TRN-HAZ	Trailer Towing	306
		Turn Signal and Hazard Warning Light	136
20A	CDS FAN	Condenser Fan	388
20A	D FR P/W	Door Lock Control and Theft Deterent	194
		Multiplex Communication System	94
		Power Window	186
		Wireless Door Lock Control	206
20A	EFI	Cruise Control	226
		Electronically Controlled Transmission and A/T Indicator	216
		Engine Control	76
20A	RADIO NO.1	Audio System (w/ Rear Seat Entertainment System)	354
		Audio System (w/o Rear Seat Entertainment System)	370
		LEXUS Navigation System with Rear Seat Entertainment System (From Nov. 2003 Production)	326
		LEXUS Navigation System with Rear Seat Entertainment System (Production From Aug. 2003 to Oct. 2003)	342
		LEXUS Navigation System without Rear Seat Entertainment System (From Nov. 2003 Production)	334

* These are the page numbers of the first page on which the related system is shown.

Fuse		System	Page
20A	RADIO NO.1	LEXUS Navigation System without Rear Seat Entertainment System (Production From Aug. 2003 to Oct. 2003)	348
		LEXUS Parking Assist (Rear View Monitor) with Rear Seat Entertainment System (From Nov. 2003 Production)	326
		LEXUS Parking Assist (Rear View Monitor) without Rear Seat Entertainment System (From Nov. 2003 Production)	334
20A	SEAT HEATER	Seat Heater	304
25A	DR/LCK	Door Lock Control and Theft Deterent	194
		Moon Roof	262
		Multiplex Communication System	94
		Power Seat (Driver's Seat w/ Driving Position Memory)	292
		Power Tilt and Power Telescopic	274
		Power Window	186
		Remote Control Mirror	268
Wireless Door Lock Control	206		
30A	AM2	Charging	74
		Combination Meter	380
		Engine Control	76
		Ignition	70
		Starting	68
30A	BATT CHG	Trailer Towing	306
30A	DEFOG	Multiplex Communication System	94
		Rear Window Defogger	312
30A	RADIO NO.2	Audio System (w/ Rear Seat Entertainment System)	354
		Audio System (w/o Rear Seat Entertainment System)	370
		LEXUS Navigation System with Rear Seat Entertainment System (From Nov. 2003 Production)	326
		LEXUS Navigation System with Rear Seat Entertainment System (Production From Aug. 2003 to Oct. 2003)	342
		LEXUS Navigation System without Rear Seat Entertainment System (From Nov. 2003 Production)	334
		LEXUS Navigation System without Rear Seat Entertainment System (Production From Aug. 2003 to Oct. 2003)	348
		LEXUS Parking Assist (Rear View Monitor) with Rear Seat Entertainment System (From Nov. 2003 Production)	326
LEXUS Parking Assist (Rear View Monitor) without Rear Seat Entertainment System (From Nov. 2003 Production)	334		
30A	RR A/C	Rear Air Conditioning	402
30A	TOWING	Trailer Towing	306
30A	TOWING BRK	Trailer Towing	306
40A	ABS MTR	VSC	232
40A	TOWING	Trailer Towing	306
50A	ABS SOL	VSC	232
50A	AIR SUS	Electric Modulated Air Suspension	240

* These are the page numbers of the first page on which the related system is shown.

J POWER SOURCE (Current Flow Chart)

Fuse		System	Page
50A	AM1	Charging	74
		Engine Control	76
50A	HEATER	Air Conditioning	390
50A	J/B	Automatic Light Control	128
		Door Lock Control and Theft Deterent	194
		Light Auto Turn Off System	132
		Multiplex Communication System	94
		Taillight and Illumination	150
		Wireless Door Lock Control	206
140A	ALT	Engine Control	76
		Rear Window Defogger	312
		Charging	74

* These are the page numbers of the first page on which the related system is shown.

