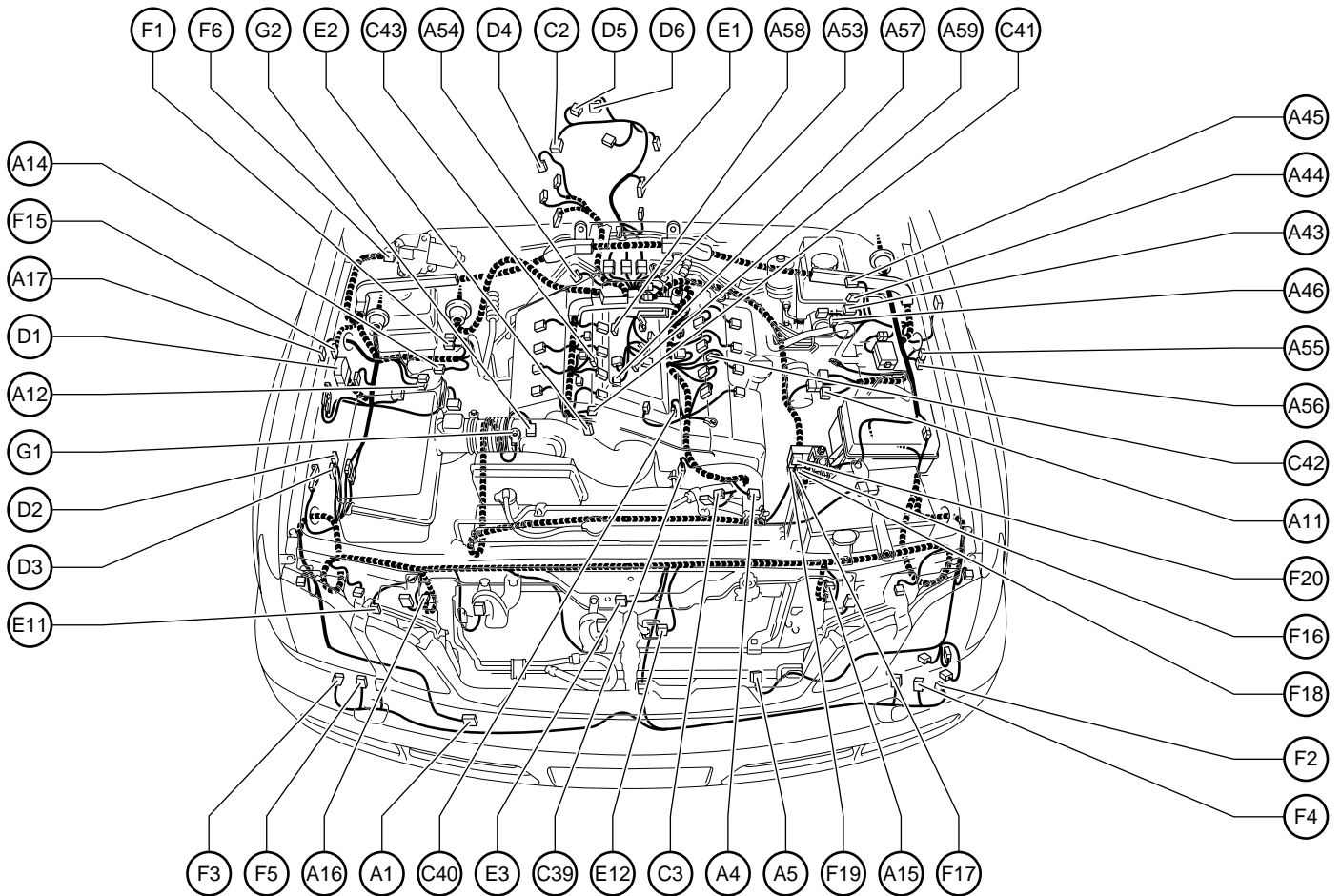


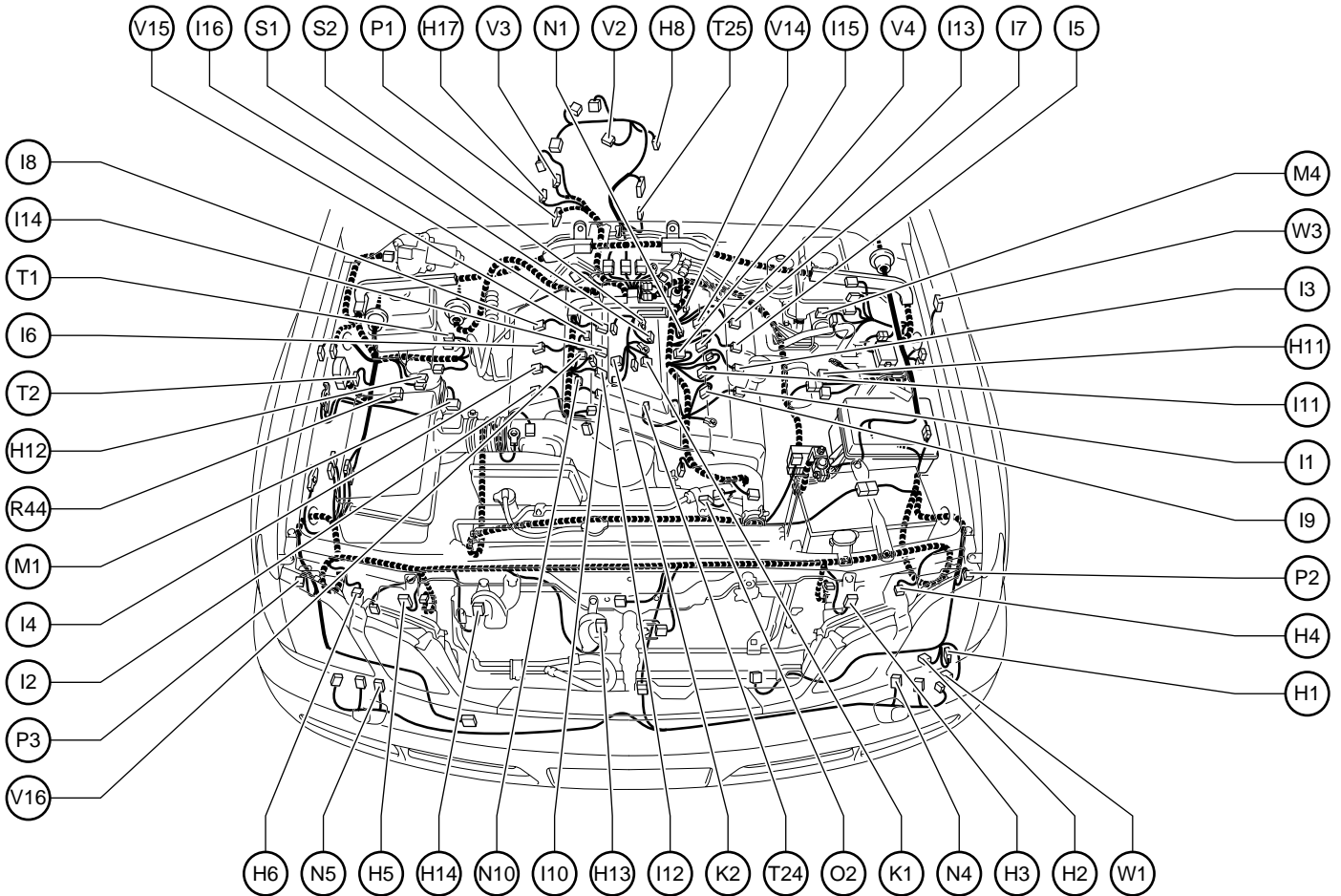
# G ELECTRICAL WIRING ROUTING

## Position of Parts in Engine Compartment



- |  |   |
|--|---|
| A 1 A/C Ambient Temp. Sensor                 | D 1 Data Link Connector 1                           |
| A 4 A/C Lock Sensor<br>A/C Magnetic Clutch   | D 2 Daytime Running Light Relay No.3                |
| A 5 Pressure SW                              | D 3 Daytime Running Light Relay No.3                |
| A 11 ABS Speed Sensor Front LH               | D 4 Detection SW (Center Diff. Lock)                |
| A 12 ABS Speed Sensor Front RH               | D 5 Detection SW (Transfer L Position)              |
| A 14 AHC Pump Motor                          | D 6 Detection SW (Transfer Neutral Position)        |
| A 15 Airbag Sensor Front LH                  | E 1 Electronically Controlled Transmission Solenoid |
| A 16 Airbag Sensor Front RH                  | E 2 Engine Coolant Temp. Sensor                     |
| A 17 Auto Antenna Motor                      | E 3 Engine Hood Courtesy SW                         |
| A 43 ABS & BA & TRAC & VSC Actuator          | E 11 Engine Room Relay Block                        |
| A 44 ABS & BA & TRAC & VSC Actuator          | E 12 Exhaust Gas Sensor                             |
| A 45 ABS & BA & TRAC & VSC Actuator          | F 1 Fluid Pressure Sensor                           |
| A 46 ABS & BA & TRAC & VSC Actuator          | F 2 Front Fog Light LH                              |
| A 53 Air Fuel Ratio Sensor (Bank 1 Sensor 1) | F 3 Front Fog Light RH                              |
| A 54 Air Fuel Ratio Sensor (Bank 2 Sensor 1) | F 4 Front Turn Signal Light LH                      |
| A 55 Air Injection Control Driver            | F 5 Front Turn Signal Light RH                      |
| A 56 Air Injection Control Driver            | F 6 Front Wiper Motor                               |
| A 57 Air Pressure Sensor                     | F 15 Fuel Pump Resistor                             |
| A 58 Air Pump                                | F 16 Fusible Link Block                             |
| A 59 Air Switching Valve                     | F 17 Fusible Link Block                             |
| C 2 Center Diff. Lock Control Motor          | F 18 Fusible Link Block                             |
| C 3 Crankshaft Position Sensor               | F 19 Fusible Link Block                             |
| C 39 Camshaft Position Sensor                | F 20 Fusible Link Block                             |
| C 40 Camshaft Timing Oil Control Valve (LH)  | G 1 Generator                                       |
| C 41 Camshaft Timing Oil Control Valve (RH)  | G 2 Generator                                       |
| C 42 Crank Shaft Position Sensor No.2 (LH)   |   |
| C 43 Crank Shaft Position Sensor No.2 (RH)   |   |

## Position of Parts in Engine Compartment



H 1 Headlight Cleaner Control Relay  
 H 2 Headlight Cleaner Motor  
 H 3 Headlight LH (High)  
 H 4 Headlight LH (Low)  
 H 5 Headlight RH (High)  
 H 6 Headlight RH (Low)  
 H 8 Heated Oxygen Sensor (Bank 1 Sensor 2)  
 H11 Height Control Sensor Front LH  
 H12 Height Control Sensor Front RH  
 H13 Horn LH  
 H14 Horn RH  
 H17 Heated Oxygen Sensor (Bank 2 Sensor 2)

I 1 Ignition Coil and Igniter No.1  
 I 2 Ignition Coil and Igniter No.2  
 I 3 Ignition Coil and Igniter No.3  
 I 4 Ignition Coil and Igniter No.4  
 I 5 Ignition Coil and Igniter No.5  
 I 6 Ignition Coil and Igniter No.6  
 I 7 Ignition Coil and Igniter No.7  
 I 8 Ignition Coil and Igniter No.8  
 I 9 Injector No.1  
 I 10 Injector No.2  
 I 11 Injector No.3  
 I 12 Injector No.4  
 I 13 Injector No.5  
 I 14 Injector No.6  
 I 15 Injector No.7  
 I 16 Injector No.8

K 1 Knock Sensor (Bank 1)  
 K 2 Knock Sensor (Bank 2)

M 1 Mass Air Flow Meter  
 M 4 Master Cylinder Pressure Sensor

N 1 Noise Filter (Ignition)  
 N 4 Night View Projector LH  
 N 5 Night View Projector RH  
 N10 Noise Filter (Ignition)

O 2 Oil Pressure Sender

P 1 Park/Neutral Position SW  
 P 2 Parking Light LH  
 P 3 Parking Light RH

R44 Running Light Resistor

S 1 Starter  
 S 2 Starter

T 1 Temp. Sensor (AHC)  
 T 2 Theft Deterrent Horn  
 T24 Throttle Control Motor and Sensor  
 T25 Turbine Speed Sensor

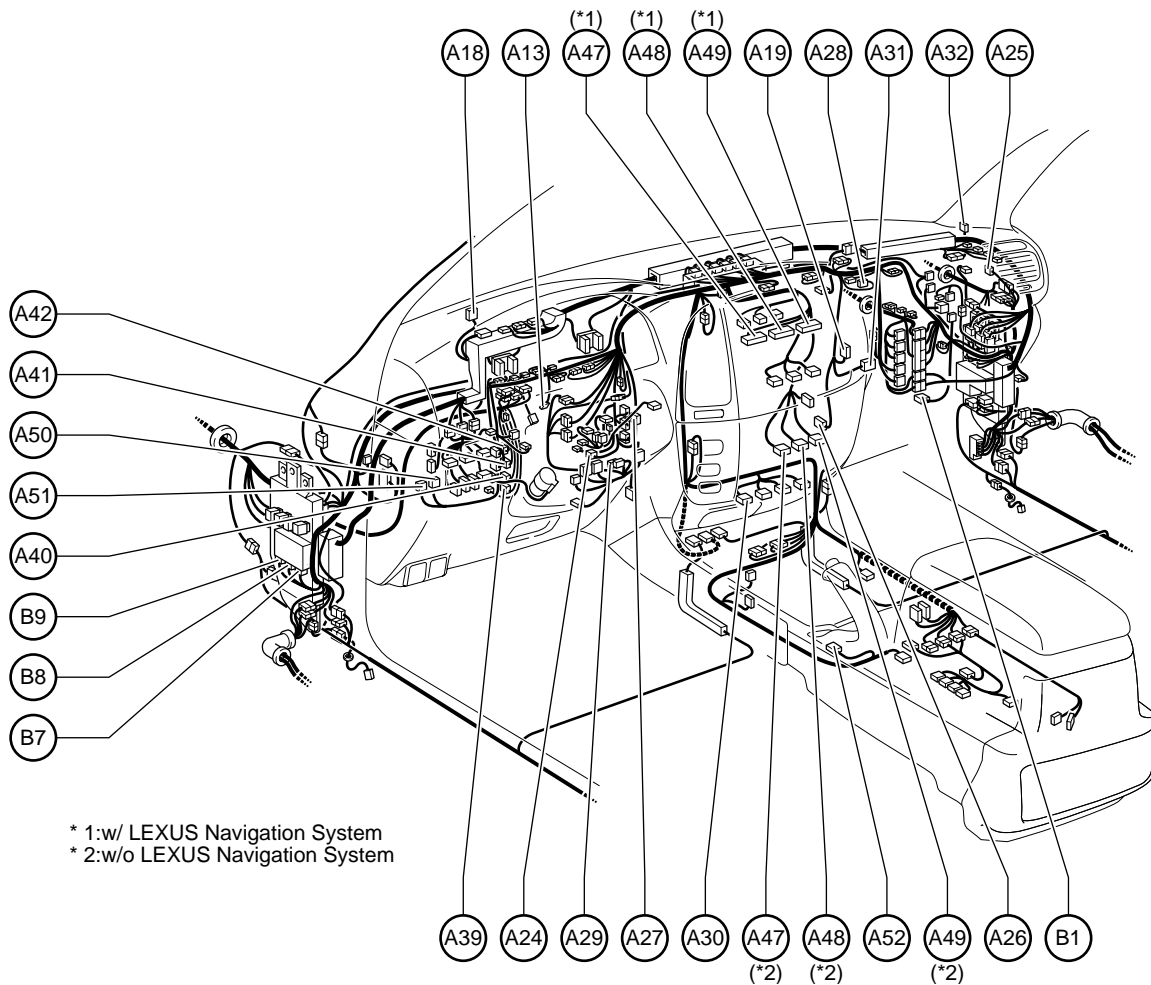
V 2 Vehicle Speed Sensor (Combination Meter)  
 V 3 Vehicle Speed Sensor  
 (Electronically Controlled Transmission)

V 4 VSV (Purge)  
 V14 VSV (ACIS)  
 V15 VSV (Air Switching Valve No.1)  
 V16 VSV (Air Switching Valve No.2)

W 1 Washer Level Warning SW  
 Washer Motor  
 W 3 Wireless Door Lock Buzzer

# G ELECTRICAL WIRING ROUTING

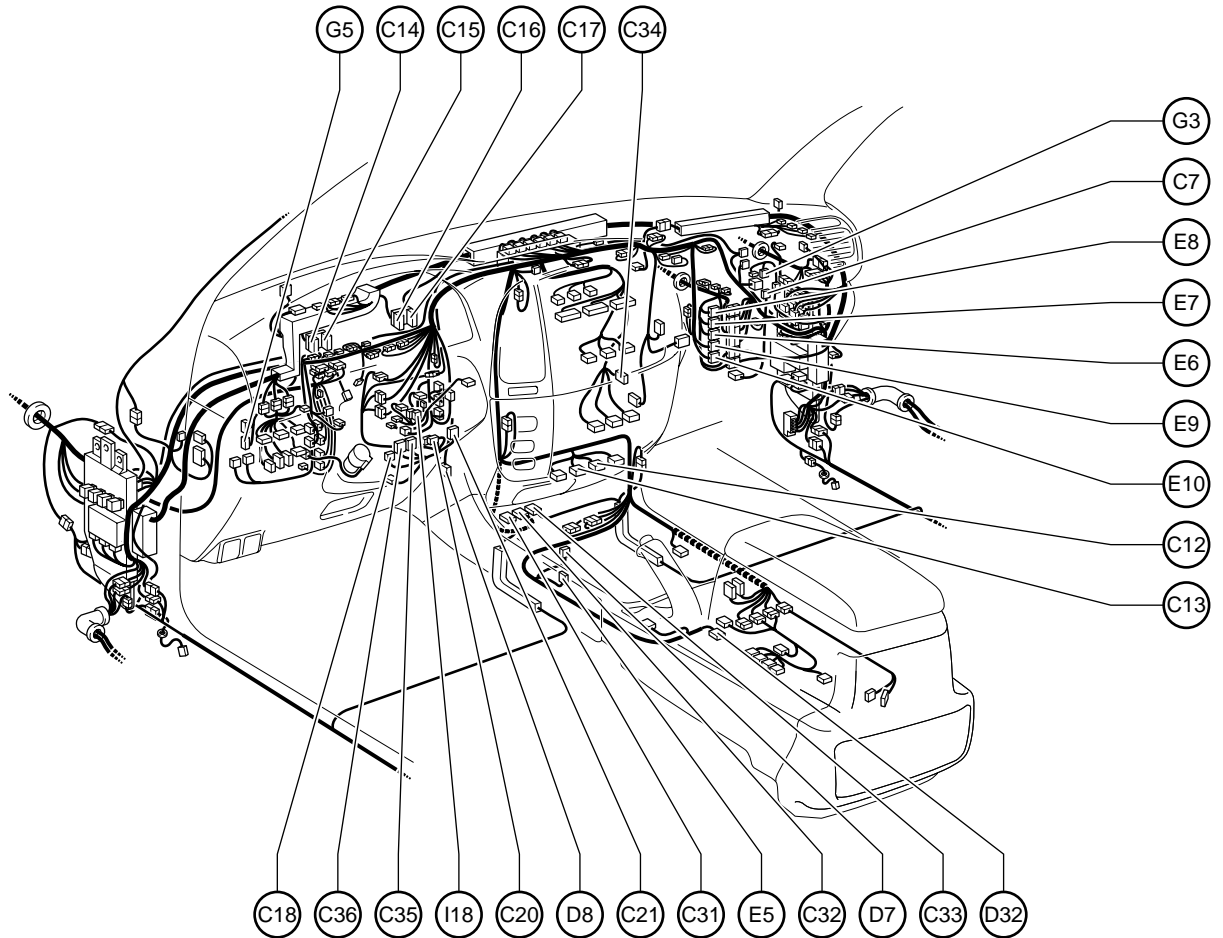
## Position of Parts in Instrument Panel



- A 13 Accel Position Sensor
- A 18 A/C Solar Sensor
- A 19 A/C Thermistor
- A 24 AHC Main Relay
- A 25 Air Inlet Control Servo Motor
- A 26 Air Mix Control Servo Motor
- A 27 Air Vent Mode Control Servo Motor
- A 28 Airbag Squib (Front Passenger Airbag Assembly)
- A 29 Airbag Squib (Steering Wheel Pad)
- A 30 Ashtray Illumination
- A 31 Auto Antenna Control Relay
- A 32 Automatic Light Control Sensor
- A 39 ABS & BA & TRAC & VSC ECU
- A 40 ABS & BA & TRAC & VSC ECU
- A 41 ABS & BA & TRAC & VSC ECU
- A 42 ABS & BA & TRAC & VSC ECU
- A 47 A/C Control Assembly
- A 48 A/C Control Assembly
- A 49 A/C Control Assembly
- A 50 Auto Wiper ECU
- A 51 Auto Wiper ECU
- A 52 A/T Shift Lever Illumination  
Shift Lock Control ECU

- B 1 Blower Motor Controller
- B 7 Body ECU
- B 8 Body ECU
- B 9 Body ECU

## Position of Parts in Instrument Panel



C 7 Center Diff. Lock Control Relay  
 C12 Cigarette Lighter  
 C13 Cigarette Lighter Illumination  
 C14 Combination Meter  
 C15 Combination Meter  
 C16 Combination Meter  
 C17 Combination Meter  
 C18 Combination SW  
 C20 Combination SW  
 C21 Combination SW  
 C31 Center Airbag Sensor Assembly  
 C32 Center Airbag Sensor Assembly  
 C33 Center Airbag Sensor Assembly  
 C34 Center Cluster Integration Panel  
 C35 Combination SW  
 C36 Combination SW  
 Steering Sensor

D 7 Damping Mode Select SW and Height Control SW  
 D 8 Data Link Connector 3  
 D32 DVD Automatic Changer

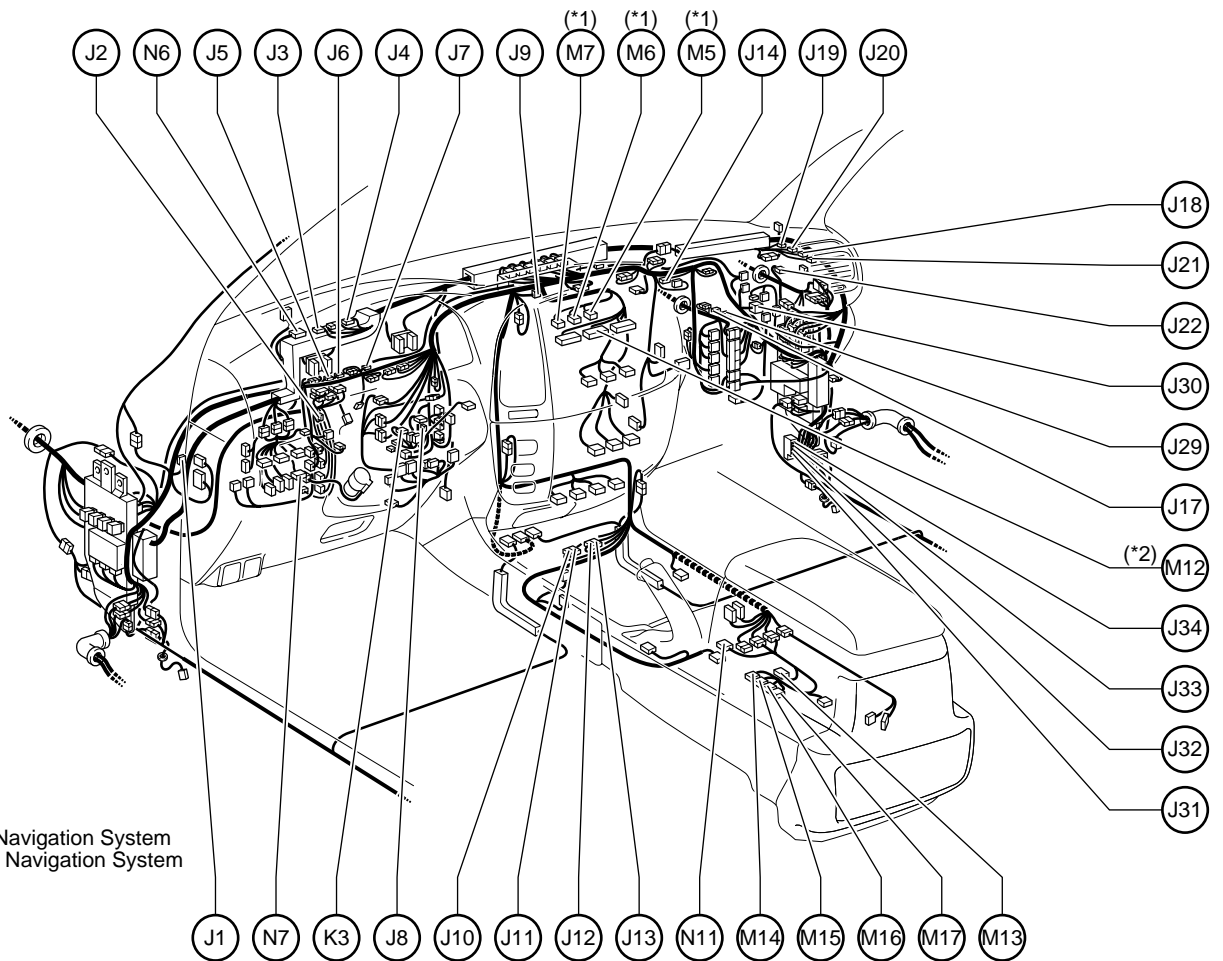
E 5 Electronically Controlled Transmission Pattern  
 Select SW  
 E 6 Engine Control Module  
 E 7 Engine Control Module  
 E 8 Engine Control Module  
 E 9 Engine Control Module  
 E10 Engine Control Module

G 3 Glove Box Light  
 G 5 Gateway ECU

I 18 Ignition SW

# G ELECTRICAL WIRING ROUTING

## Position of Parts in Instrument Panel

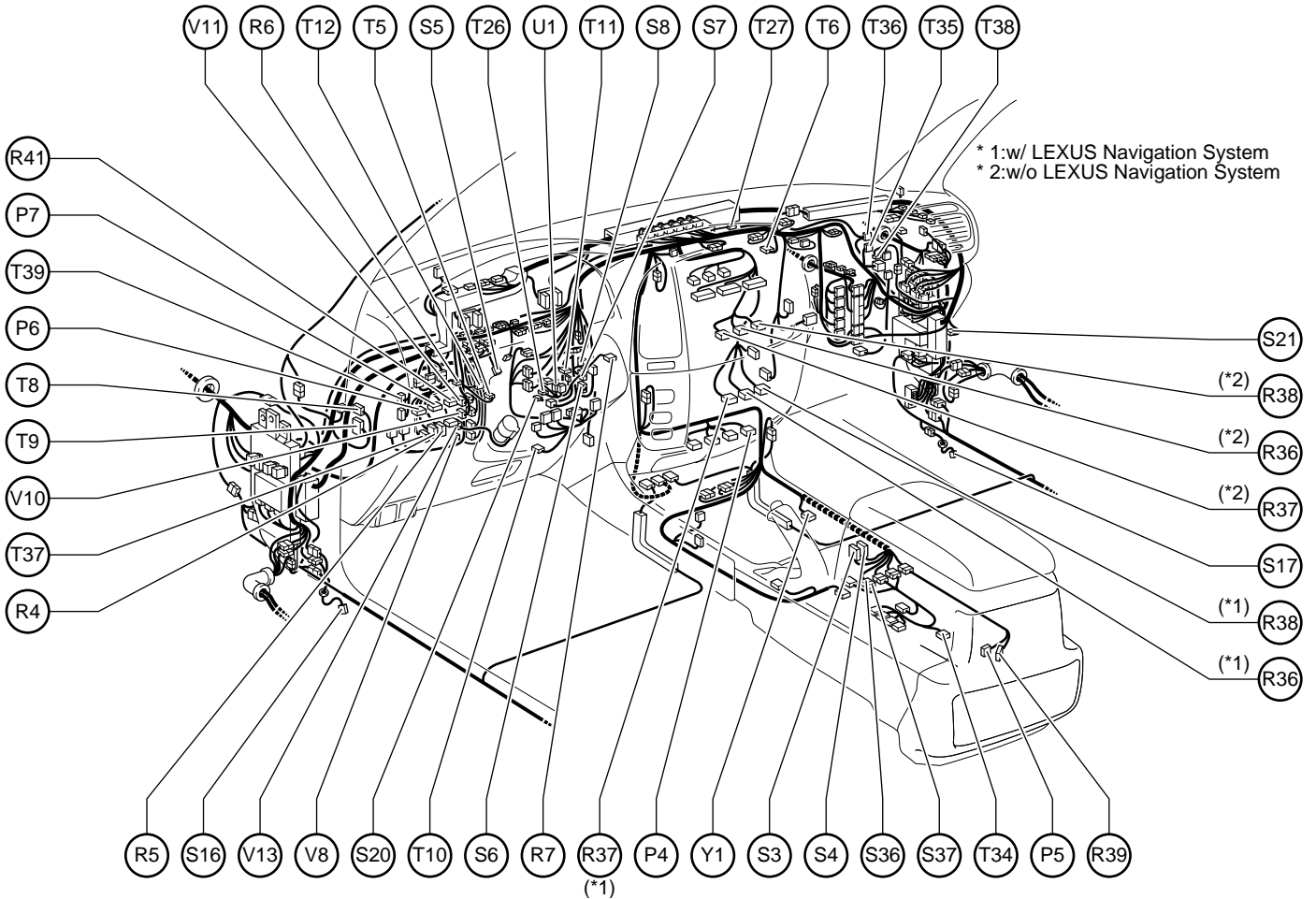


\* 1:w/ LEXUS Navigation System  
 \* 2:w/o LEXUS Navigation System

- J 1 Junction Connector
- J 2 Junction Connector
- J 3 Junction Connector
- J 4 Junction Connector
- J 5 Junction Connector
- J 6 Junction Connector
- J 7 Junction Connector
- J 8 Junction Connector
- J 9 Junction Connector
- J 10 Junction Connector
- J 11 Junction Connector
- J 12 Junction Connector
- J 13 Junction Connector
- J 14 Junction Connector
- J 17 Junction Connector
- J 18 Junction Connector
- J 19 Junction Connector
- J 20 Junction Connector
- J 21 Junction Connector
- J 22 Junction Connector
- J 29 Junction Connector
- J 30 Junction Connector
- J 31 Junction Connector
- J 32 Junction Connector
- J 33 Junction Connector
- J 34 Junction Connector

- K 3 Key Interlock Solenoid
- M 5 Multi-Display
- M 6 Multi-Display
- M 7 Multi-Display
- M12 Multi-Display
- M13 Mayday Battery
- M14 Mayday ECU
- M15 Mayday ECU
- M16 Mayday ECU
- M17 Mayday ECU
- N 6 Night View ECU
- N 7 Night View SW
- N 11 Navigation Antenna

## Position of Parts in Instrument Panel



P 4 Power Outlet (Front)  
 P 5 Power Outlet (Rear Console Box)  
 P 6 Power Quarter Window SW LH  
 P 7 Power Quarter Window SW RH  
  
 R 4 Remote Control Mirror SW  
 R 5 Remote Control Mirror SW  
 R 6 Rheostat  
 R 7 Room Temp. Sensor (Front)  
 R36 Radio and Player  
 R37 Radio and Player  
 R38 Radio and Player  
 R39 Rear Seat Audio Controller  
 R41 Roll Sensing of Curtain Shield Airbags Cutoff SW

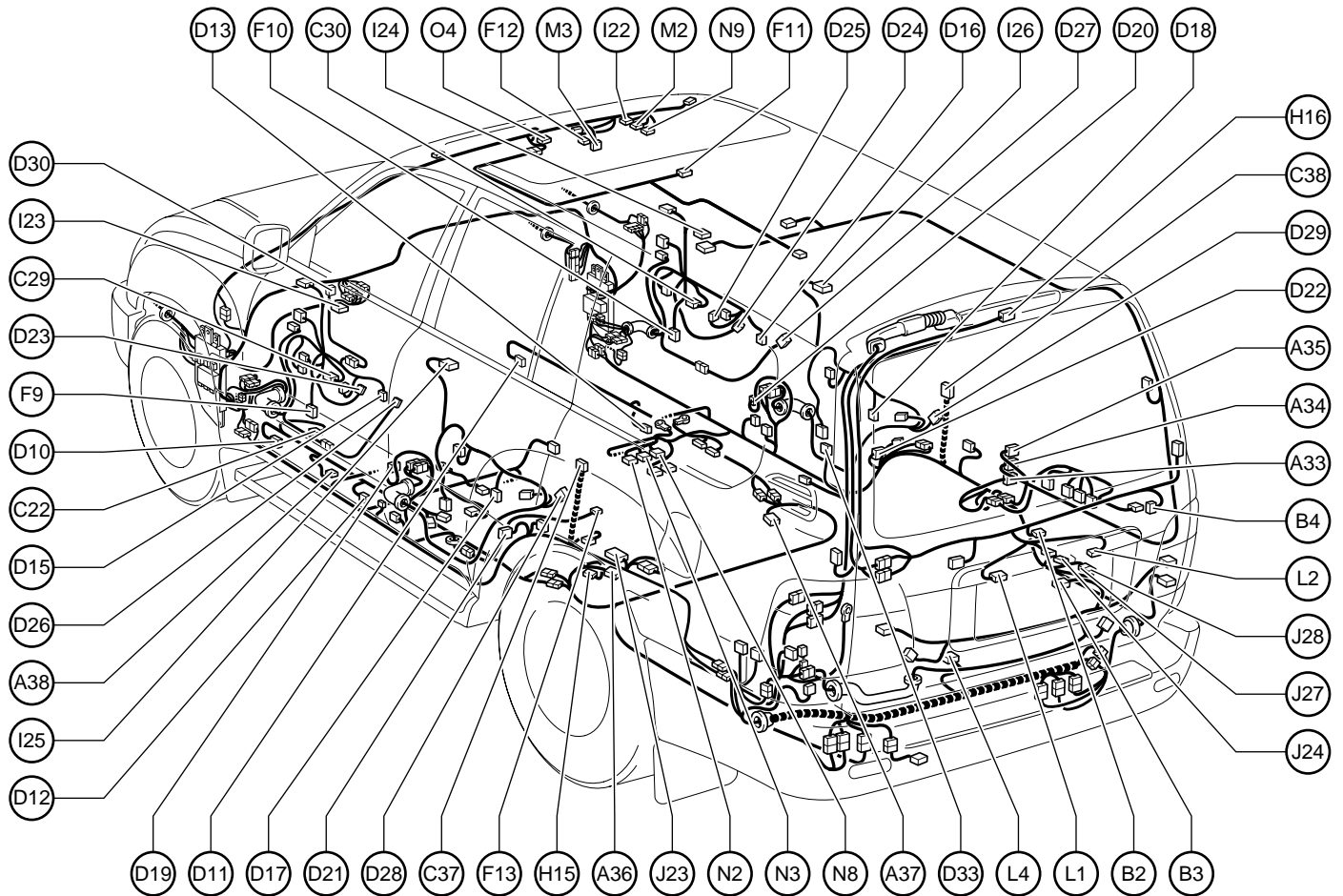
S 3 Seat Heater SW (Driver's Seat)  
 S 4 Seat Heater SW (Front Passenger's Seat)  
 S 5 Stop Light SW  
 S 6 Suspension Control ECU  
 S 7 Suspension Control ECU  
 S 8 Suspension Control ECU  
 S16 Side Step Light LH and Outer Foot Light LH  
 S17 Side Step Light RH and Outer Foot Light RH  
 S20 Spot Light Illumination LH  
 S21 Spot Light Illumination RH  
 S36 Short Connector (Mayday ECU)  
 S37 Short Connector (Mayday ECU)

T 5 Telescopic Motor  
 T 6 Theft Deterrent ECU  
 T 8 Tilt and Telescopic ECU  
 T 9 Tilt and Telescopic ECU  
 T10 Tilt Motor  
 T11 Ignition Key Cylinder Light  
     Transponder Key Amplifier  
 T12 Turn Signal Flasher  
 T26 Towing Brake Controller  
 T27 Transponder Key Computer  
 T34 Telephone Antenna  
 T35 Tire Pressure Monitor ECU  
 T36 Tire Pressure Monitor ECU  
 T37 Tire Pressure Warning SW (Reset)  
 T38 Tire Pressure Warning SW (Select)  
 T39 Translate ECU

U 1 Unlock Warning SW  
  
 V 8 VSC Warning Buzzer  
 V10 VGRS ECU  
 V11 VGRS ECU  
 V13 VGRS Actuator  
     VGRS ECU  
  
 Y 1 Yaw Rate Sensor

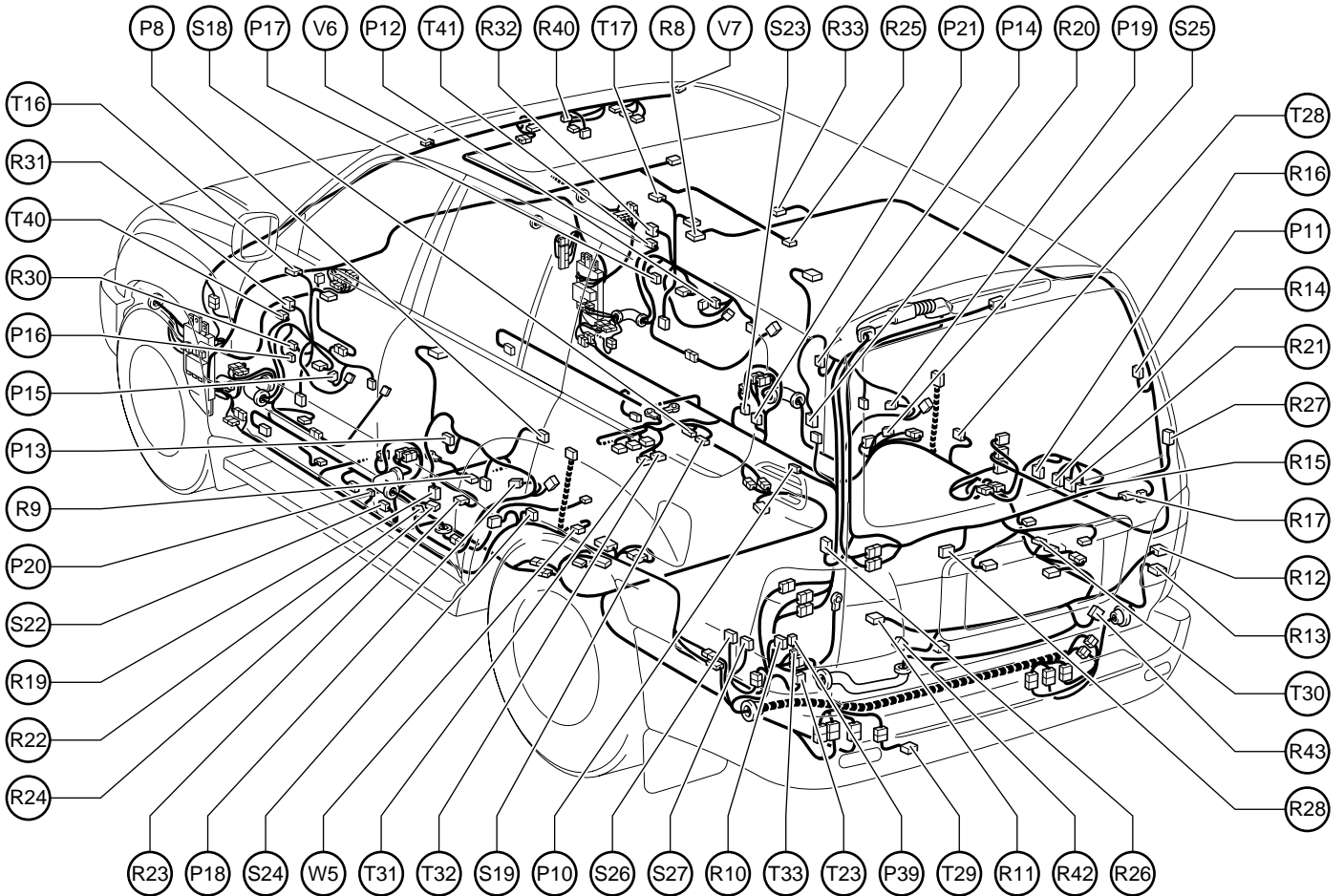
# G ELECTRICAL WIRING ROUTING

## Position of Parts in Body



- |  |   |
|--|---|
| A 33 A/C Amplifier                           | D 29 Door Lock Motor Rear RH                  |
| A 34 A/C Amplifier                           | Door Unlock Detection SW Rear RH              |
| A 35 A/C Amplifier                           | D 30 Driving Position Memory SW               |
| A 36 ABS Speed Sensor Rear LH                | D 33 Door Control Receiver                    |
| A 37 ABS Speed Sensor Rear RH                | F 9 Front Door Speaker LH                     |
| A 38 Accumulator Solenoid                    | F 10 Front Door Speaker RH                    |
| B 2 Back Door Courtesy SW                    | F 11 Front Interior Light                     |
| B 3 Back Door Key Lock and Unlock SW         | Rear Personal Light                           |
| B 4 Back Door Lock Motor                     | F 12 Front Personal Light                     |
| Back Door Unlock Detection SW                | F 13 Fuel Pump                                |
| C 22 Control Valve Assembly                  | Fuel Sender                                   |
| C 29 Center Speaker LH                       | H 15 Height Control Sensor Rear               |
| C 30 Center Speaker RH                       | H 16 High Mounted Stop Light                  |
| C 37 Curtain Shield Airbag Squib LH          | I 22 Inner Mirror                             |
| C 38 Curtain Shield Airbag Squib RH          | I 23 Inside Door Handle Illumination Front LH |
| D 10 Damping Force Control Actuator Front LH | I 24 Inside Door Handle Illumination Front RH |
| D 11 Damping Force Control Actuator Front RH | I 25 Inside Door Handle Illumination Rear LH  |
| D 12 Damping Force Control Actuator Rear LH  | I 26 Inside Door Handle Illumination Rear RH  |
| D 13 Damping Force Control Actuator Rear RH  | J 23 Junction Connector                       |
| D 15 Door Courtesy Light Front LH            | J 24 Junction Connector                       |
| D 16 Door Courtesy Light Front RH            | J 27 Junction Connector                       |
| D 17 Door Courtesy Light Rear LH             | J 28 Junction Connector                       |
| D 18 Door Courtesy Light Rear RH             | L 1 License Plate Light LH                    |
| D 19 Door Courtesy SW Front LH               | L 2 License Plate Light RH                    |
| D 20 Door Courtesy SW Front RH               | L 4 Canister Pump Module                      |
| D 21 Door Courtesy SW Rear LH                | M 2 Moon Roof Control ECU                     |
| D 22 Door Courtesy SW Rear RH                | M 3 Moon Roof Control SW                      |
| D 23 Door Key Lock and Unlock SW LH          | N 2 Navigation ECU                            |
| D 24 Door Key Lock and Unlock SW RH          | N 3 Navigation ECU                            |
| D 25 Door Lock Control SW RH                 | N 8 Navigation ECU                            |
| D 26 Door Lock Motor Front LH                | N 9 Night View Camera                         |
| Door Unlock Detection SW Front LH            | O 4 Overhead J/B                              |
| D 27 Door Lock Motor Front RH                |   |
| Door Unlock Detection SW Front RH            |   |
| D 28 Door Lock Motor Rear LH                 |   |
| Door Unlock Detection SW Rear LH             |   |

## Position of Parts in Body



P 8 Parking Brake SW  
 P 10 Power Vent Window Motor LH  
 P 11 Power Vent Window Motor RH  
 P 12 Power Window Control SW Front RH  
 P 13 Power Window Control SW Rear LH  
 P 14 Power Window Control SW Rear RH  
 P 15 Power Window Master SW  
 P 16 Power Window Motor Front LH  
 P 17 Power Window Motor Front RH  
 P 18 Power Window Motor Rear LH  
 P 19 Power Window Motor Rear RH  
 P 20 Pretensioner LH  
 P 21 Pretensioner RH  
 P 39 Power Outlet (Luggage Compartment)

R 8 Rear A/C Control SW  
 R 9 Rear Air Mix Control Servo Motor  
 R 10 Rear Combination Light LH  
 R 11 Rear Combination Light LH  
 R 12 Rear Combination Light RH  
 R 13 Rear Combination Light RH  
 R 14 Rear Cooler Blower Motor  
 R 15 Rear Cooler Magnetic Valve  
 R 16 Rear Cooler Power Transistor  
 R 17 Rear Cooler Relay  
 R 19 Rear Door Speaker LH  
 R 20 Rear Door Speaker RH  
 R 21 Rear Evaporator Temp. Sensor  
 R 22 Rear Heater Blower Motor  
 R 23 Rear Heater Power Transistor  
 R 24 Rear Inlet Air Temp. Sensor  
 R 25 Rear Interior Light  
 R 26 Rear Window Defogger  
 R 27 Rear Window Defogger

R 28 Rear Wiper Motor  
 R 30 Remote Control Mirror ECU  
 R 31 Remote Control Mirror LH  
 R 32 Remote Control Mirror RH  
 R 33 Room Temp. Sensor (Rear)  
 R 40 Rain Sensor  
 R 42 Rear Combination Light LH  
 R 43 Rear Combination Light RH

S 18 Stereo Component Amplifier  
 S 19 Stereo Component Amplifier  
 S 22 Side Airbag Sensor Front LH  
 S 23 Side Airbag Sensor Front RH  
 S 24 Side Airbag Sensor Rear LH  
 S 25 Side Airbag Sensor Rear RH  
 S 26 Sub Body ECU  
 S 27 Sub Body ECU

T 16 Tweeter LH  
 T 17 Tweeter RH  
 T 23 Towing Converter Relay  
 T 28 Theft Deterrent Siren  
 T 29 Trailer Socket  
 T 30 Television Camera  
 T 31 Television Camera ECU  
 T 32 Television Camera ECU  
 T 33 Towing Hitch Relay  
 T 40 Tire Pressure Antenna LH  
 T 41 Tire Pressure Antenna RH

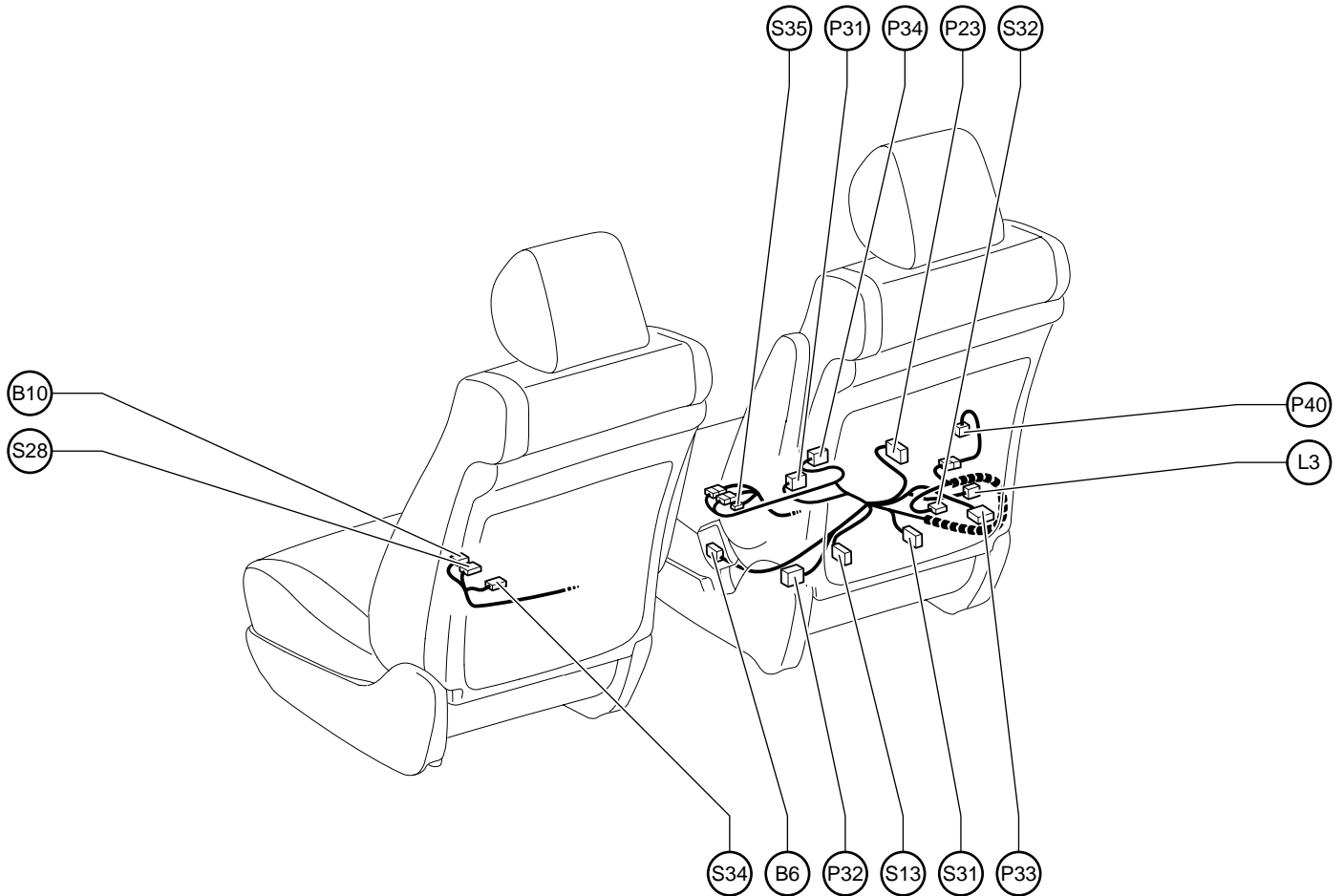
V 6 Vanity Light LH  
 V 7 Vanity Light RH

W 5 Woofer (Speaker)



## G ELECTRICAL WIRING ROUTING

### Position of Parts in Seat



B 6 Buckle SW RH  
 B10 Buckle SW LH  
 Seat Position Sensor

L 3 Lumbar Support Control SW (Front Passenger's Seat)

P23 Power Seat Control SW (Front Passenger's Seat)

P31 Power Seat Motor  
 (Front Passenger's Seat Front Vertical Control)

P32 Power Seat Motor  
 (Front Passenger's Seat Rear Vertical Control)

P33 Power Seat Motor  
 (Front Passenger's Seat Reclining Control)

P34 Power Seat Motor  
 (Front Passenger's Seat Slide Control)

P40 Power Seat Motor  
 (Front Passenger's Seat Lumbar Support Control)

S13 Seat Belt Warning Occupant Detection Sensor

S28 Seat ECU

S31 Seat Heater (Front Passenger's Seat Cushion)

S32 Seat Heater (Front Passenger's Seat)

S34 Side Airbag Squib LH

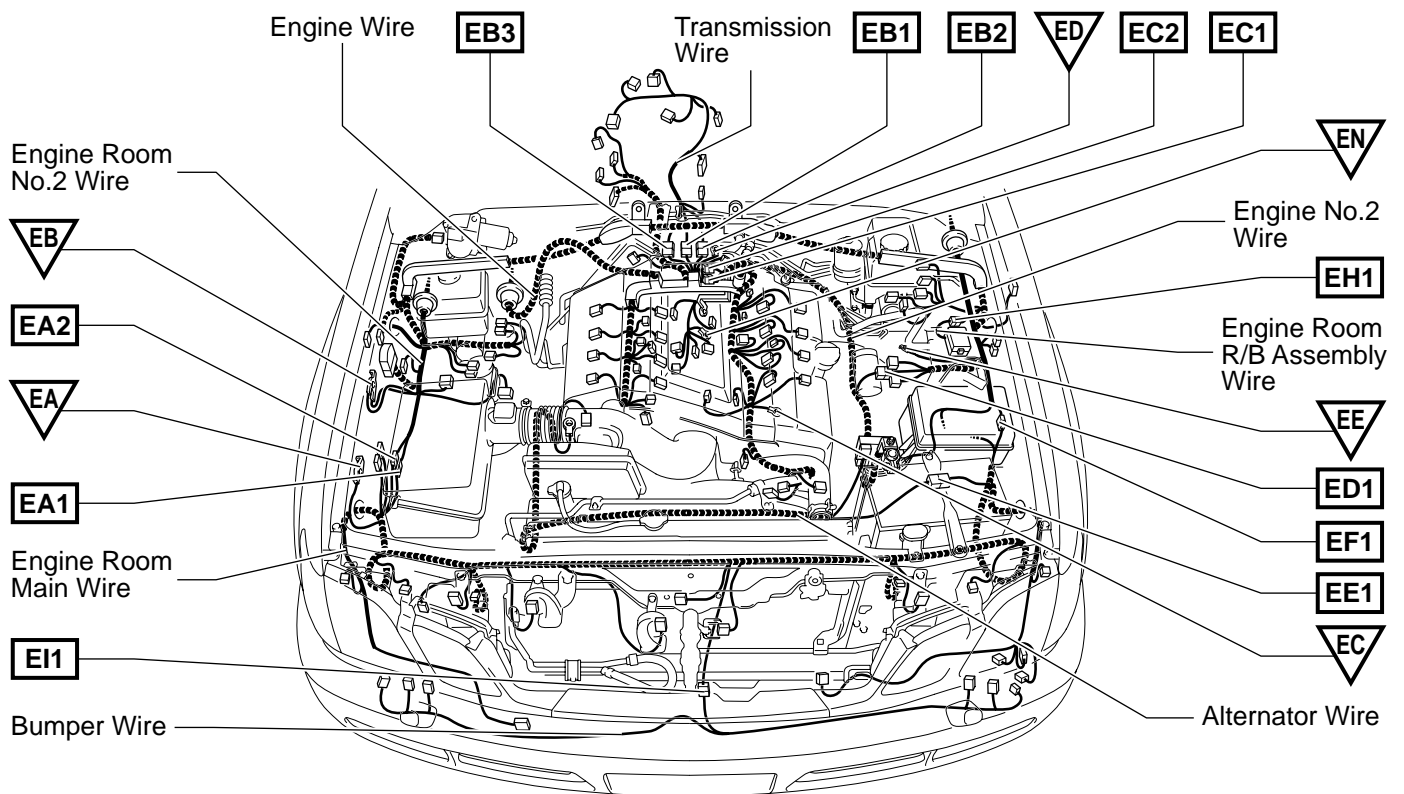
S35 Side Airbag Squib RH



# G ELECTRICAL WIRING ROUTING

□ : Location of Connector Joining Wire Harness and Wire Harness

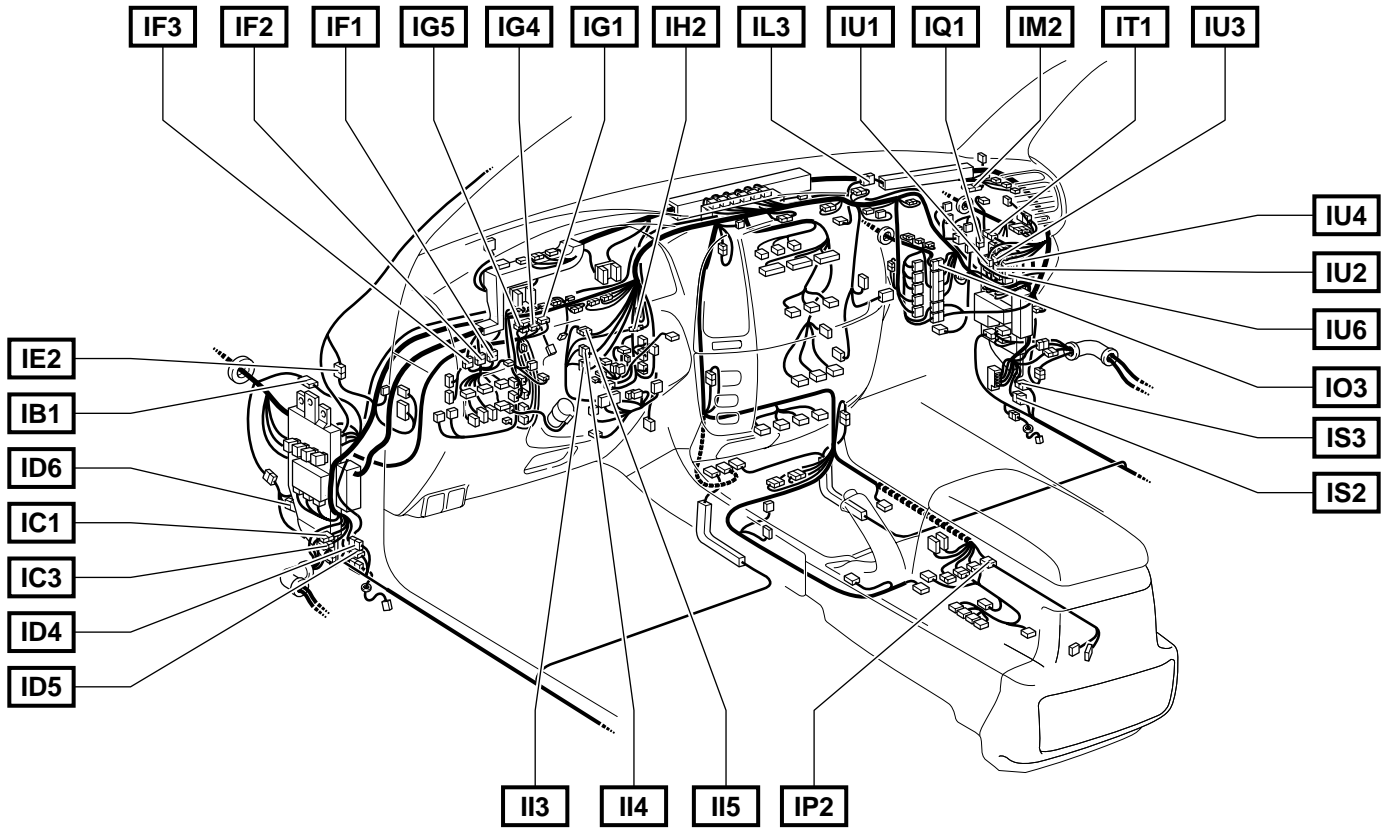
▽ : Location of Ground Points



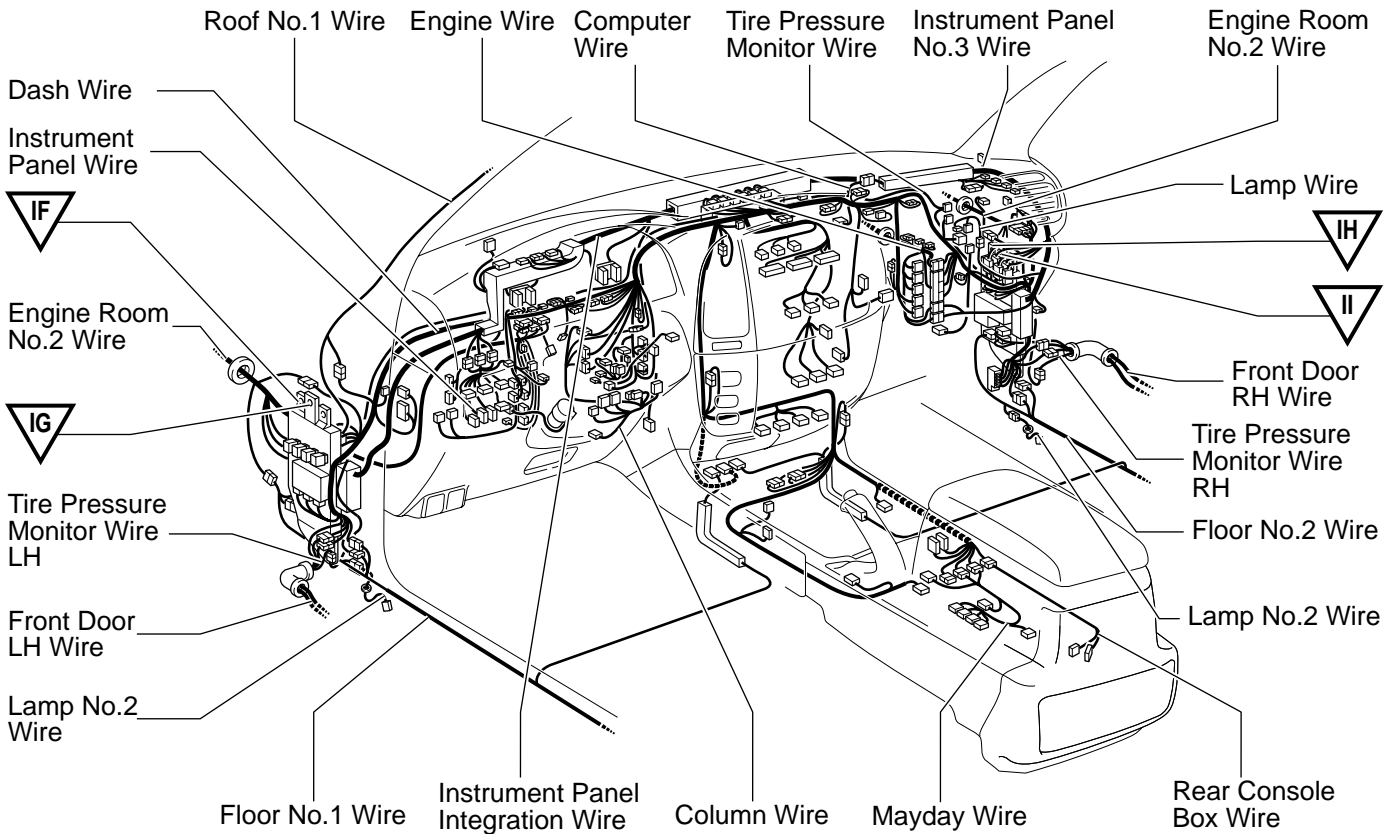


# G ELECTRICAL WIRING ROUTING

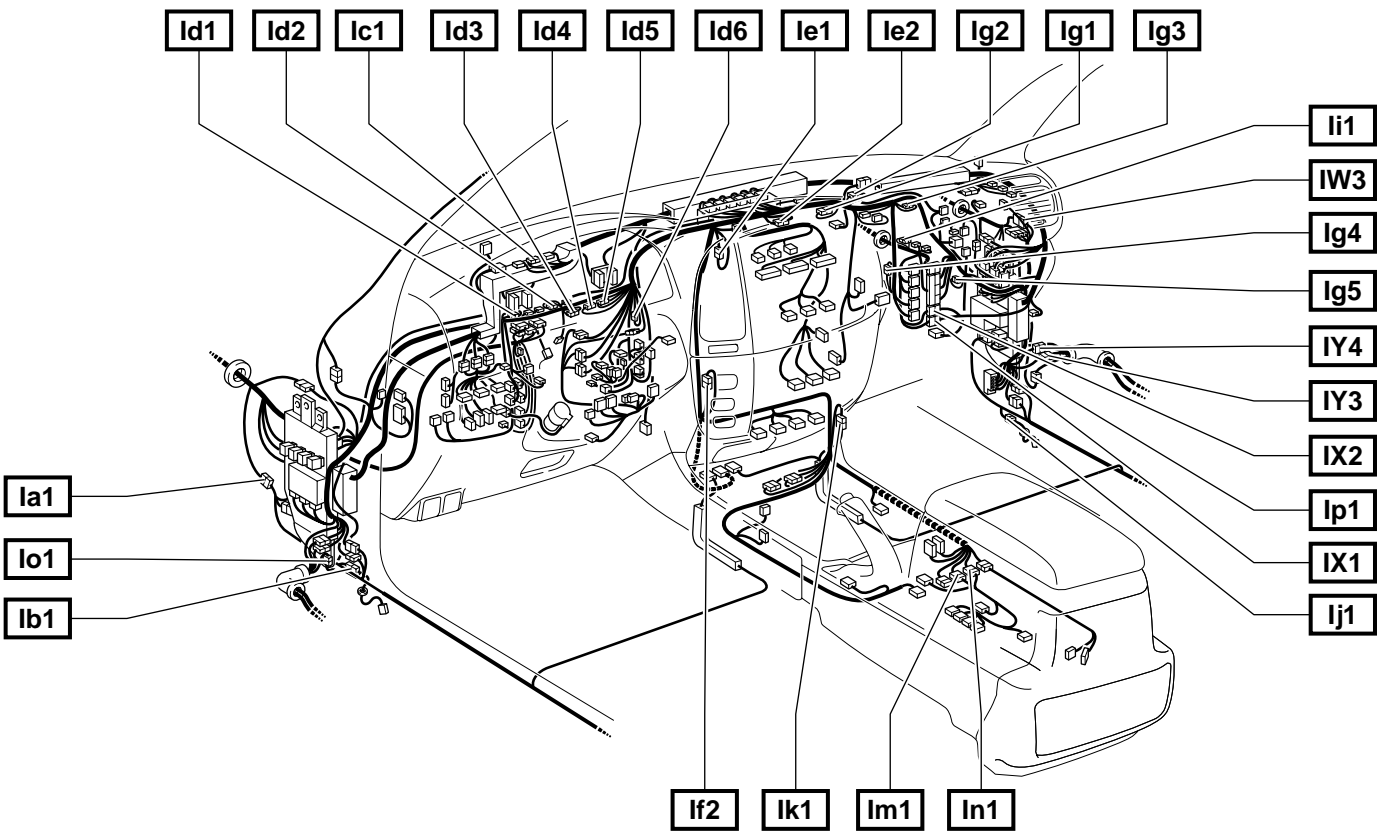
□ : Location of Connector Joining Wire Harness and Wire Harness



▽ : Location of Ground Points



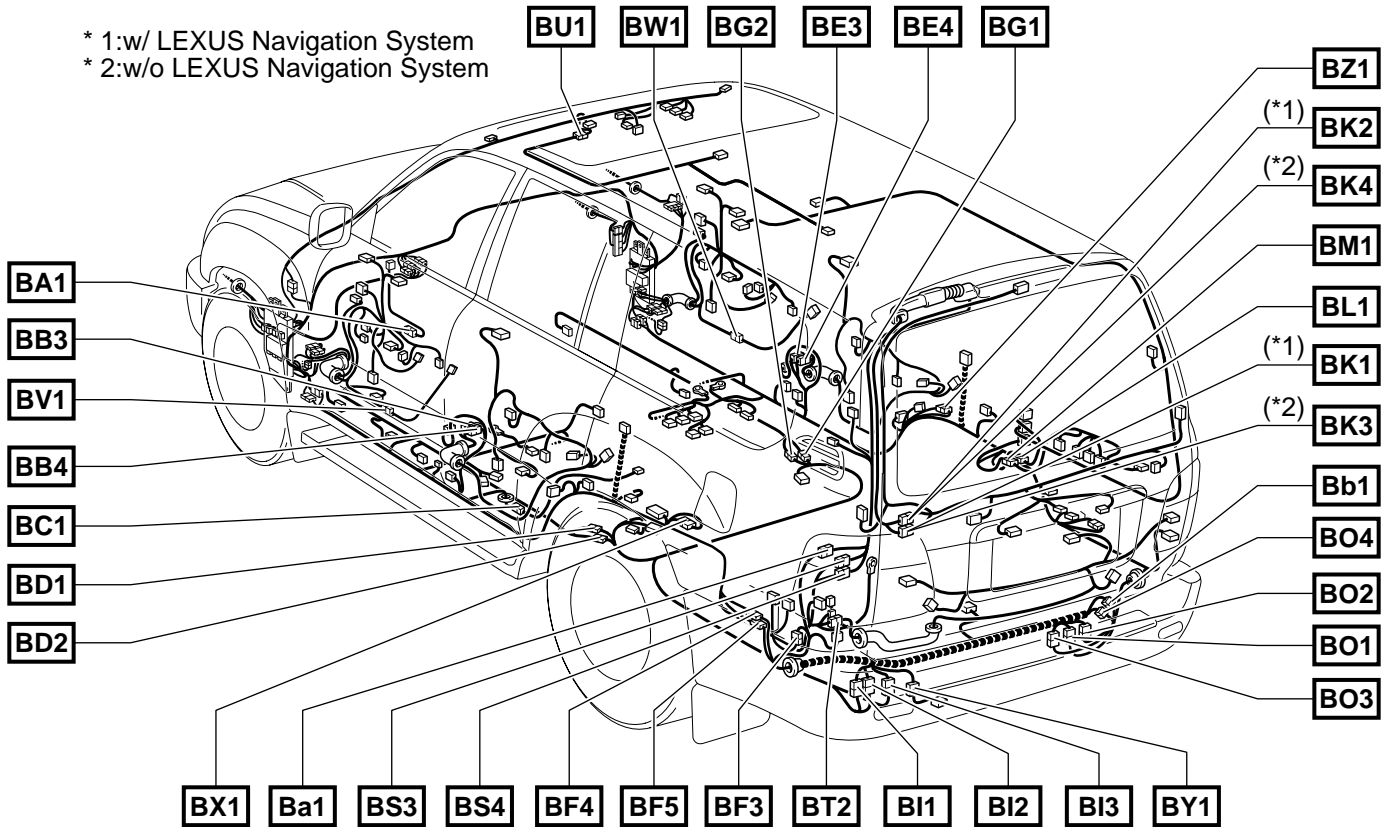
□ : Location of Connector Joining Wire Harness and Wire Harness



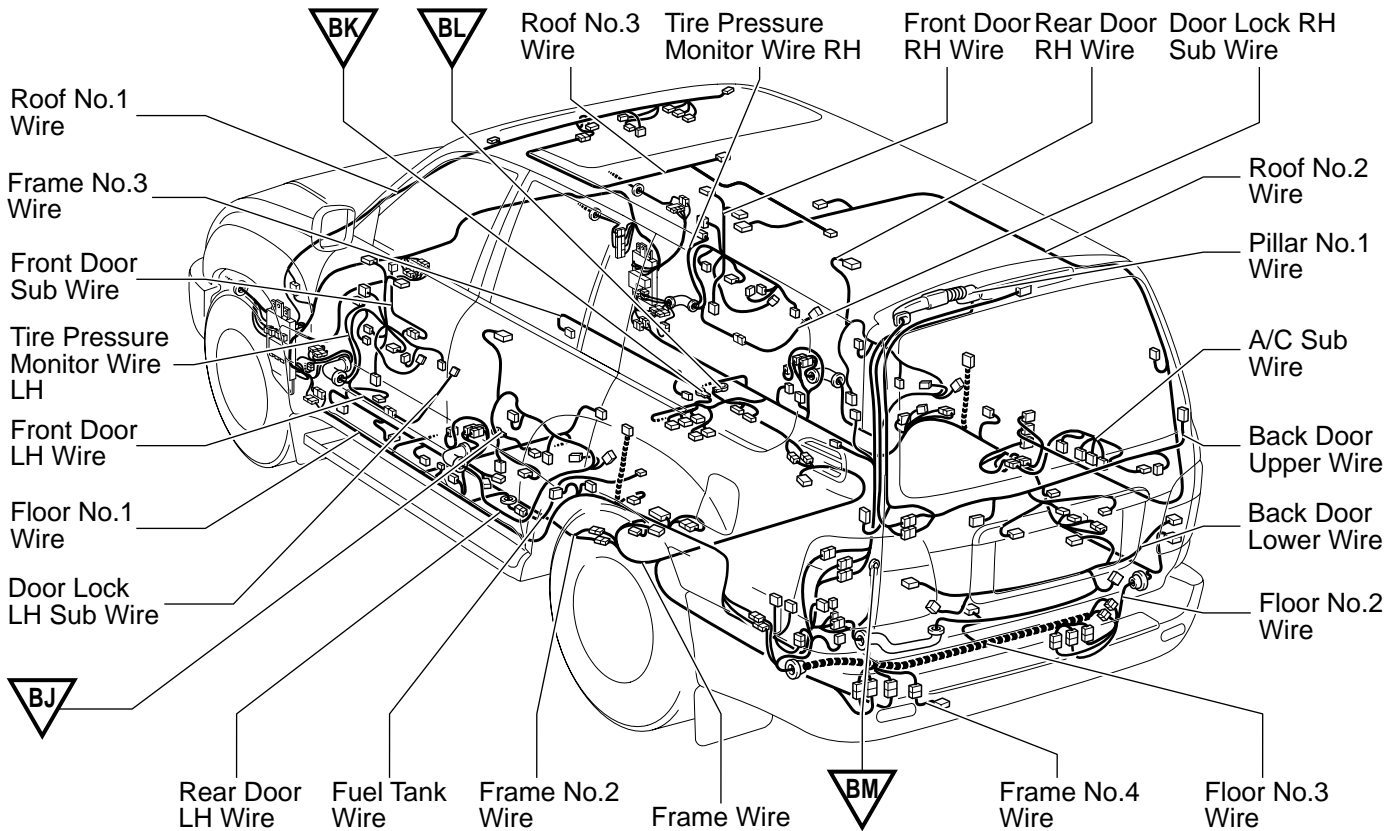
# G ELECTRICAL WIRING ROUTING

**□** : Location of Connector Joining Wire Harness and Wire Harness

- \* 1:w/ LEXUS Navigation System
- \* 2:w/o LEXUS Navigation System



**▽** : Location of Ground Points



**□ : Location of Connector Joining Wire Harness and Wire Harness**

