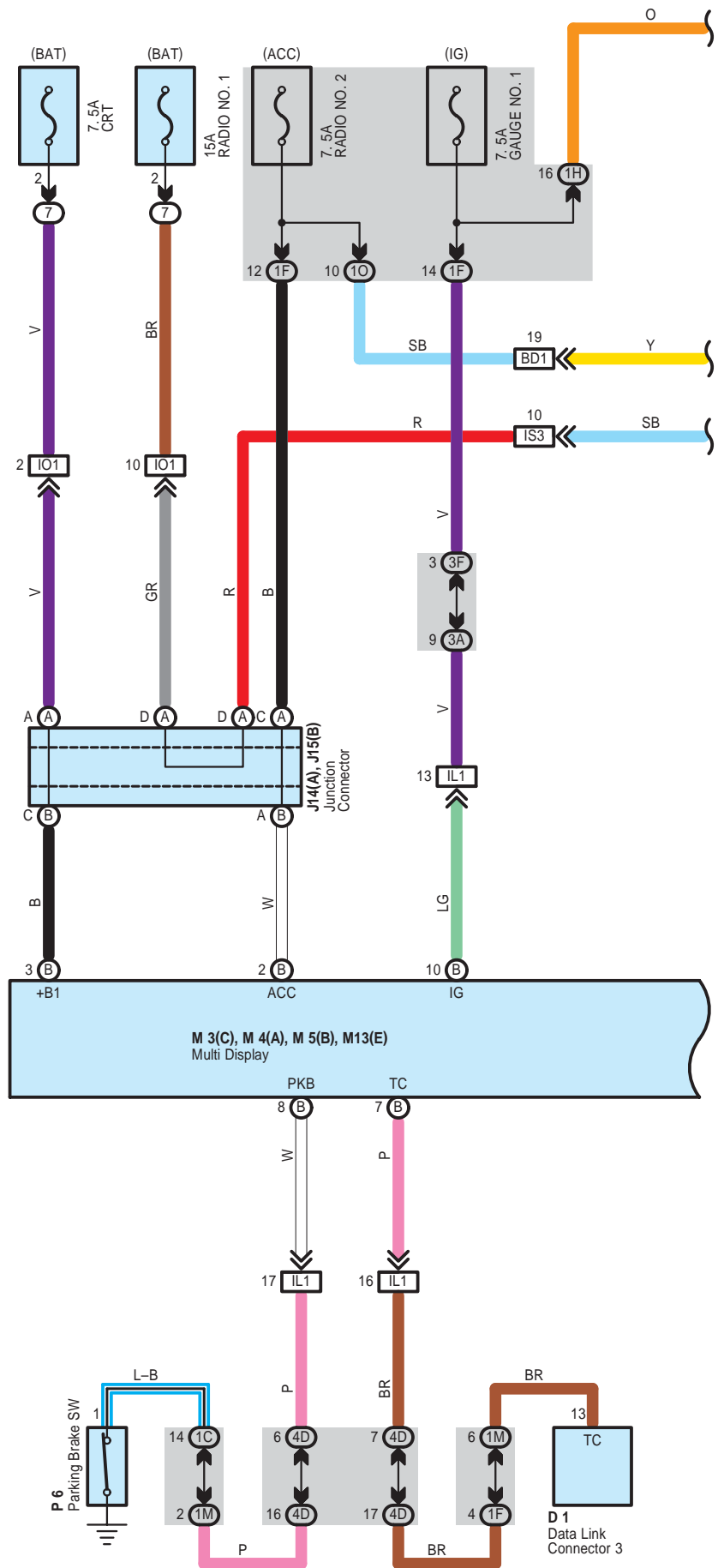
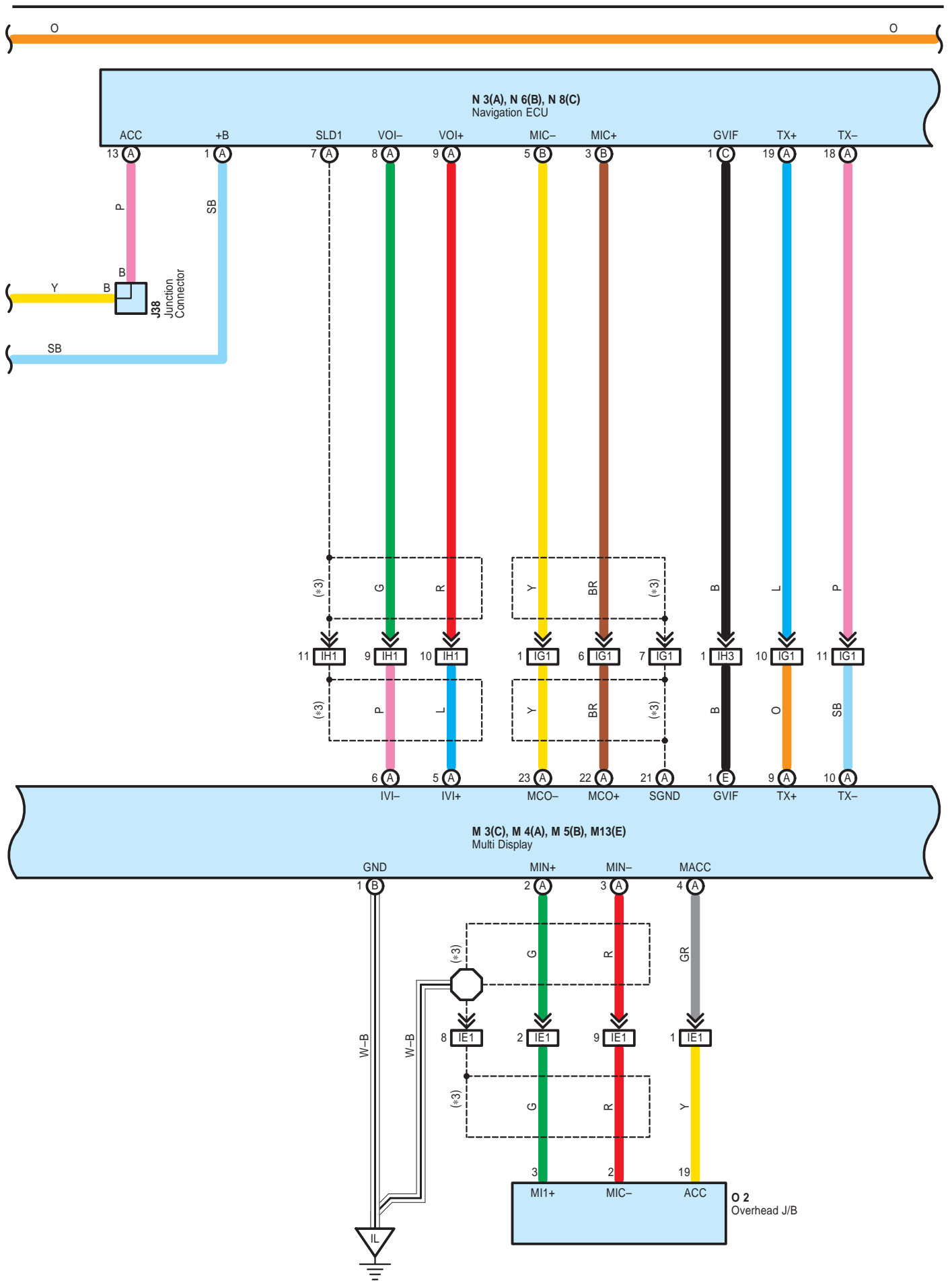


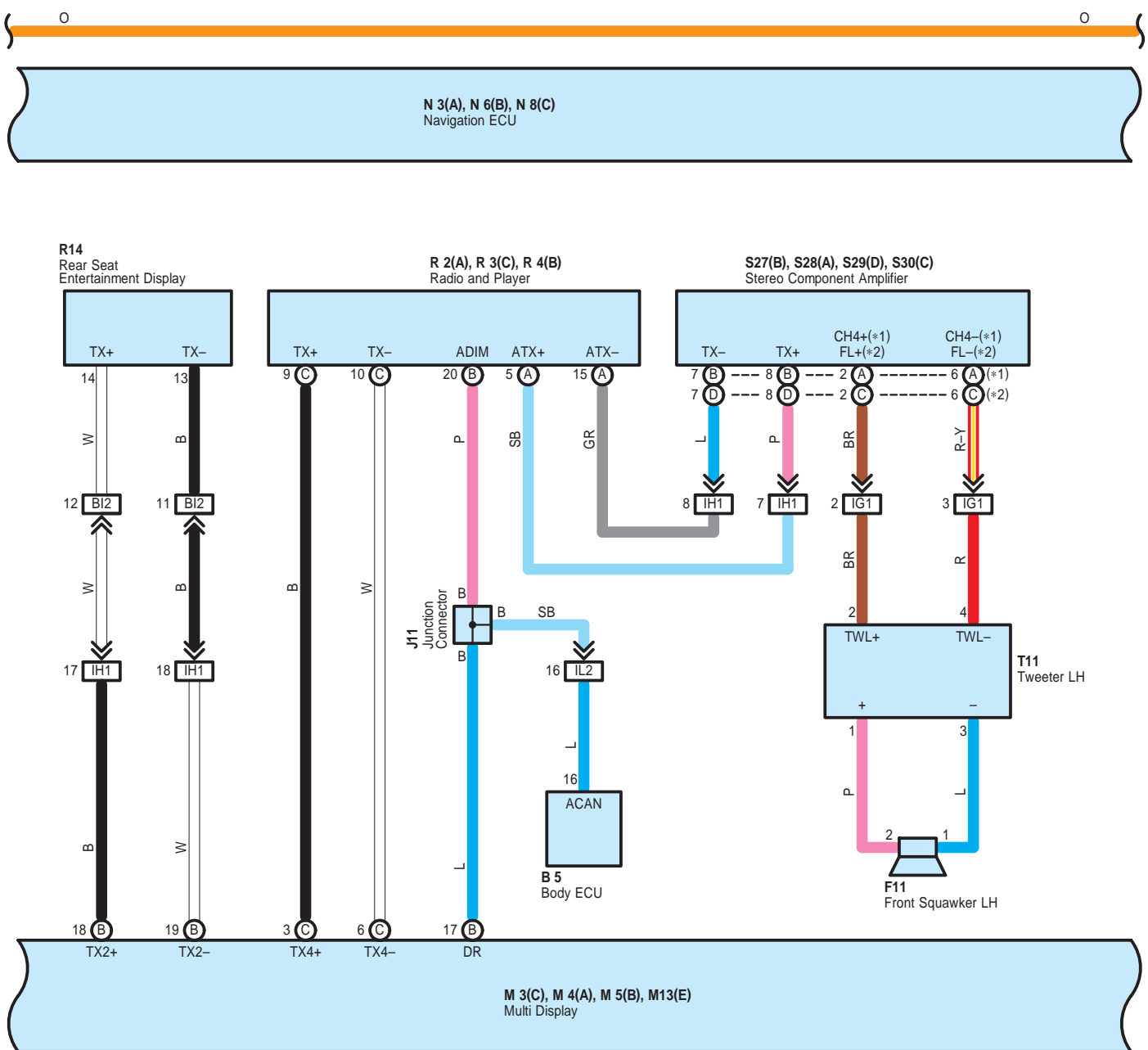
LEXUS Navigation System and LEXUS Parking Assist



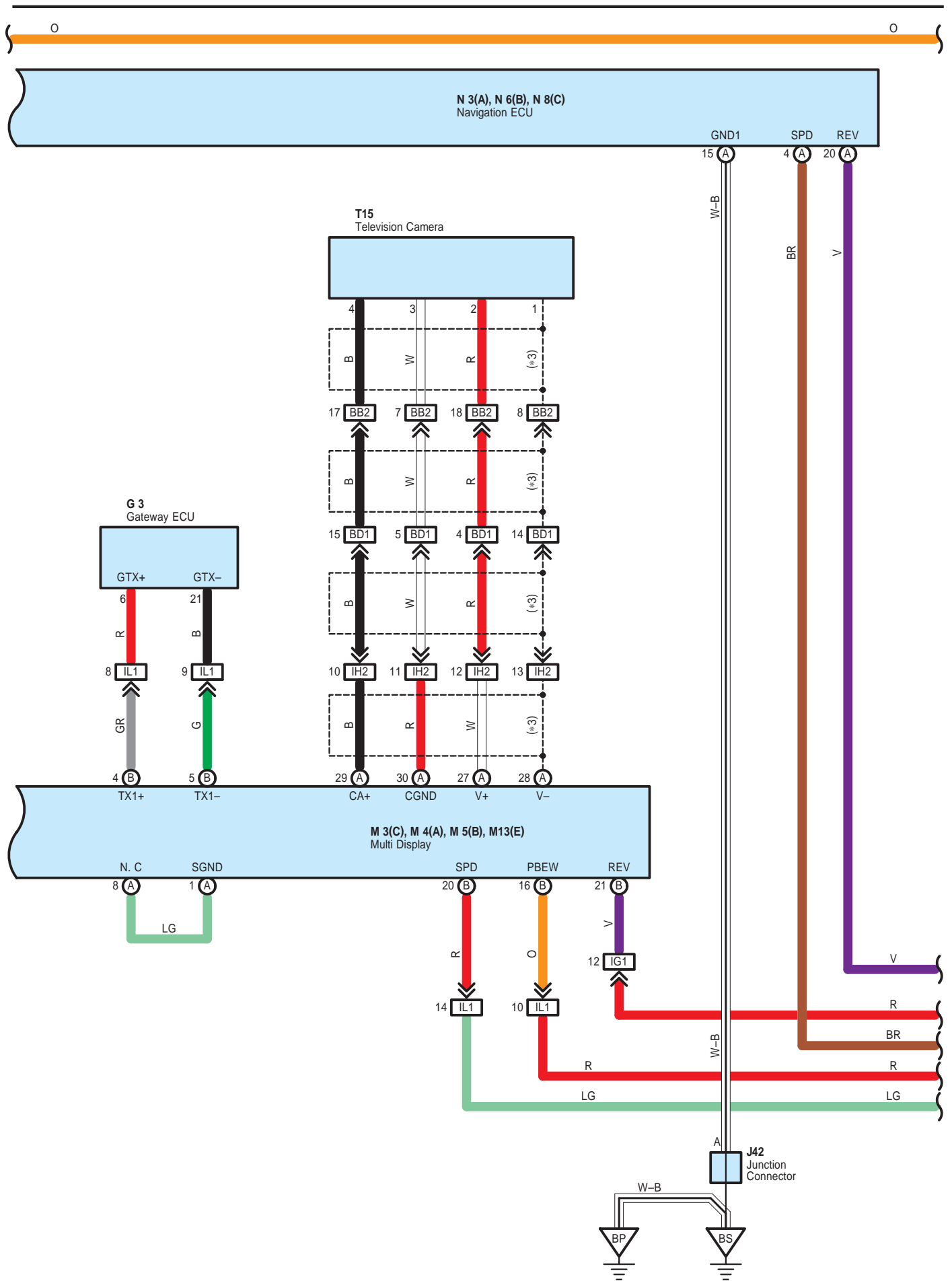
* 1 : MARK LEVINSON
 * 2 : Except MARK LEVINSON
 * 3 : Shielded



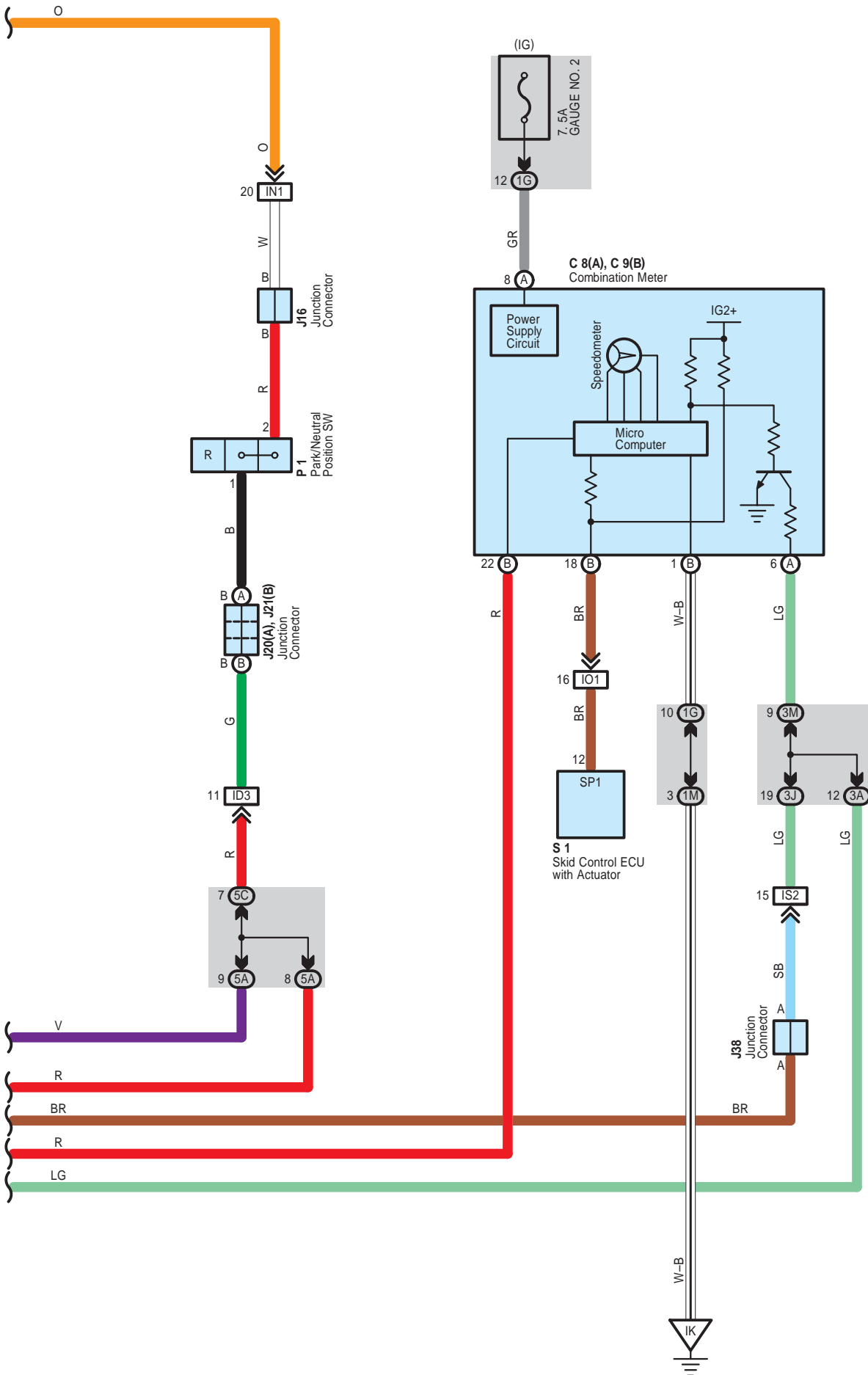
LEXUS Navigation System and LEXUS Parking Assist



* 1 : MARK LEVINSON
 * 2 : Except MARK LEVINSON
 * 3 : Shielded



LEXUS Navigation System and LEXUS Parking Assist



: Parts Location

Code	See Page	Code	See Page	Code	See Page
B5	50	J38	55	R2	A 53
C8	A 51	J42	55	R3	C 53
C9	B 51	M3	C 52	R4	B 53
D1	51	M4	A 52	R14	56
F11	51	M5	B 52	S1	49
G3	51	M13	E 52	S27	B 57
J11	52	N3	A 55	S28	A 57
J14	A 52	N6	B 55	S29	D 57
J15	B 52	N8	C 55	S30	C 57
J16	52	O2	56	T11	53
J20	A 52	P1	49	T15	57
J21	B 52	P6	53		

: Relay Blocks

Code	See Page	Relay Blocks (Relay Block Location)
7	22	Fusible Link Block (Engine Compartment Left)

: Junction Block and Wire Harness Connector

Code	See Page	Junction Block and Wire Harness (Connector Location)
1C	26	Engine Room Main Wire and Instrument Panel J/B (Lower Finish Panel)
1F	26	Instrument Panel Wire and Instrument Panel J/B (Lower Finish Panel)
1G	27	
1H		
1M	26	
1O	26	
3A	34	Instrument Panel Wire and J/B No.3 (Behind the Combination Meter)
3F		
3J		
3M		
4D	39	Instrument Panel Wire and J/B No.4 (Behind the Glove Box)
5A	42	Floor Wire and Rear J/B (Left Rear Quarter Panel)
5C	42	Floor No.2 Wire and Rear J/B (Left Rear Quarter Panel)

: Connector Joining Wire Harness and Wire Harness

Code	See Page	Joining Wire Harness and Wire Harness (Connector Location)
ID3	62	Instrument Panel Wire and Floor No.2 Wire (Left Kick Panel)
IE1	63	Roof Wire and Instrument Panel No.2 Wire (Left Side of the Instrument Panel)
IG1	63	Instrument Panel No.2 Wire and Floor Wire (Instrument Panel Brace LH)
IH1	63	Instrument Panel No.2 Wire and Floor Wire (Instrument Panel Brace RH)
IH2		
IH3		
IL1	64	Instrument Panel Wire and Instrument Panel No.2 Wire (Above the Glove Box)
IL2		
IN1	64	Engine Wire and Instrument Panel Wire (Behind the Glove Box)
IO1	64	Engine Room Main Wire and Instrument Panel Wire (Right Kick Panel)
IS2	65	Instrument Panel Wire and Floor Wire (Right Kick Panel)
IS3		
BB2	66	Back Door No.1 Wire and Floor No.2 Wire (Left Rear Side of the Roof)
BD1	66	Floor No.2 Wire and Floor Wire (Left Rear Quarter Panel)
BI2	66	Roof No.2 Wire and Floor Wire (Right Rear Quarter Panel)

LEXUS Navigation System and LEXUS Parking Assist



: **Ground Points**

Code	See Page	Ground Points Location
IK	62	Behind the Combination Meter
IL	62	Instrument Panel Brace RH
BP	66	Under the Right Center Pillar
BS	66	Right Rear Quarter Panel

