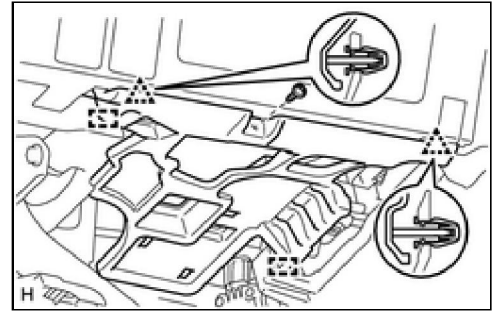


Last Modified: 1-31-2018	6.8:8.0.48	Doc ID: RM000004AHA000X
Model Year Start: 2010	Model: GX460	Prod Date Range: [11/2009 -]
Title: INTERIOR PANELS / TRIM: FRONT CONSOLE BOX: REMOVAL; 2010 MY GX460 [11/2009 -]		

REMOVAL

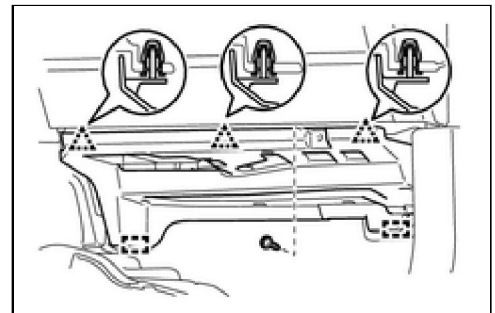
1. REMOVE NO. 1 INSTRUMENT PANEL UNDER COVER SUB-ASSEMBLY

- (a) Remove the screw.
- (b) Detach the 2 clips and 2 guides.
- (c) Disconnect the connector, detach the clamp and remove the No. 1 instrument panel under cover.



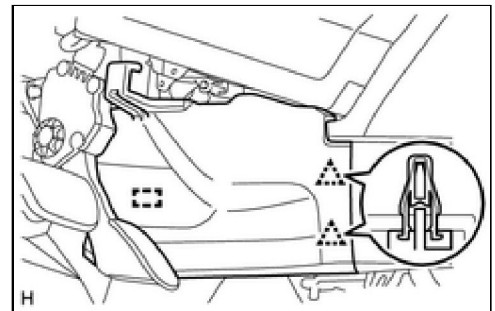
2. REMOVE NO. 2 INSTRUMENT PANEL UNDER COVER SUB-ASSEMBLY

- (a) Remove the screw.
- (b) Detach the 3 clips and 2 guides.
- (c) Disconnect the foot light, detach the clamp and remove the No. 2 instrument panel under cover.



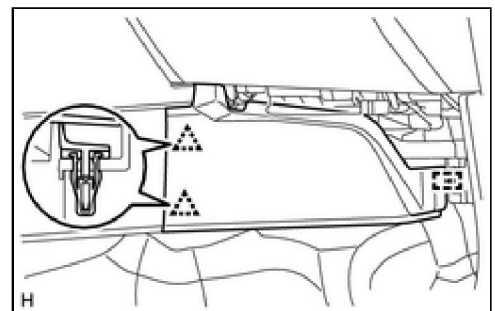
3. REMOVE FRONT NO. 1 CONSOLE BOX INSERT

- (a) Detach the 2 clips and guide and remove the front No. 1 console box insert.



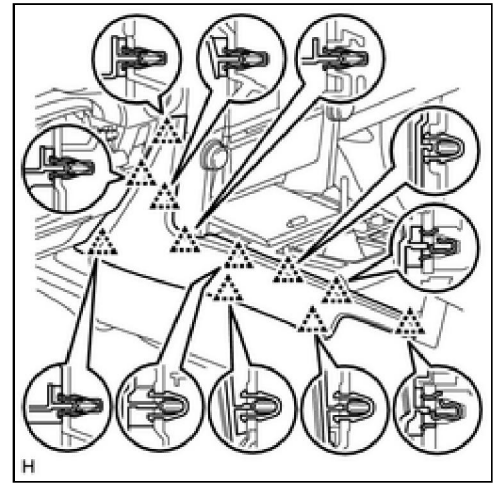
4. REMOVE FRONT NO. 2 CONSOLE BOX INSERT

- (a) Detach the 2 clips and guide and remove the front No. 2 console box insert.



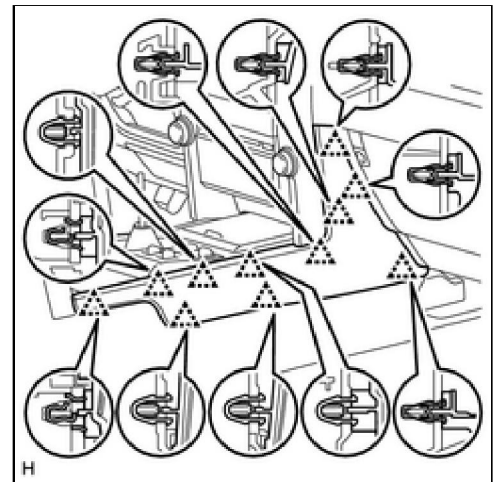
5. REMOVE INSTRUMENT PANEL FINISH PANEL END LH

- (a) Detach the 11 clips and remove the instrument panel finish panel end.



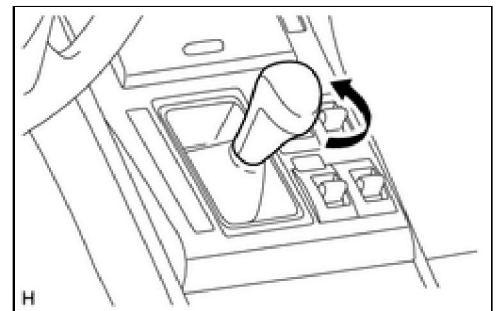
6. REMOVE INSTRUMENT PANEL FINISH PANEL END RH

- (a) Detach the 11 clips and remove the instrument panel finish panel end.

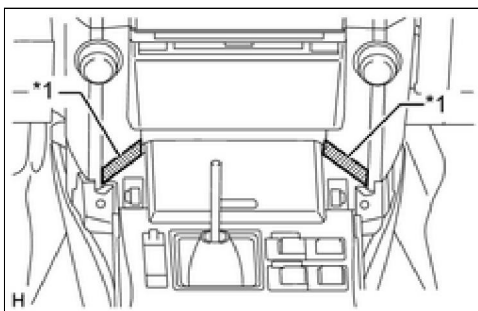


7. REMOVE SHIFT LEVER KNOB SUB-ASSEMBLY

- (a) Twist the shift lever knob in the direction indicated by the arrow and remove it.



8. REMOVE UPPER CONSOLE PANEL SUB-ASSEMBLY

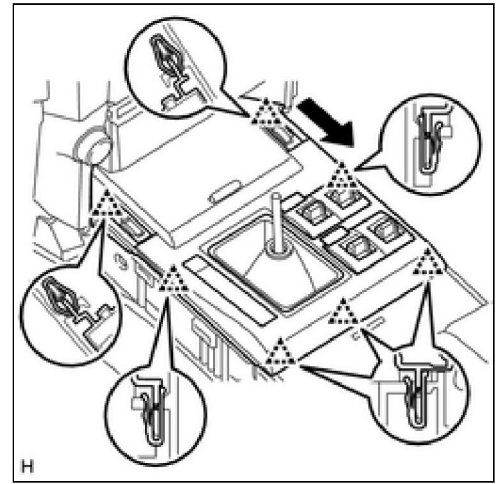


- (a) Put protective tape around the upper console panel.

Text in Illustration

*1	Protective Tape
----	-----------------

(b) Using a moulding remover, detach the 7 clips.



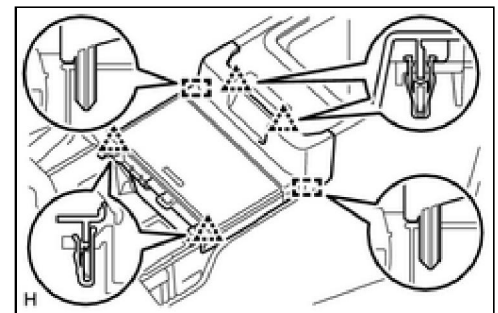
(c) Disconnect each connector and move the upper console panel in the direction of the arrow to remove it.

9. REMOVE CONSOLE COIN BOX

(a) Remove the console coin box.

10. REMOVE REAR UPPER CONSOLE PANEL SUB-ASSEMBLY

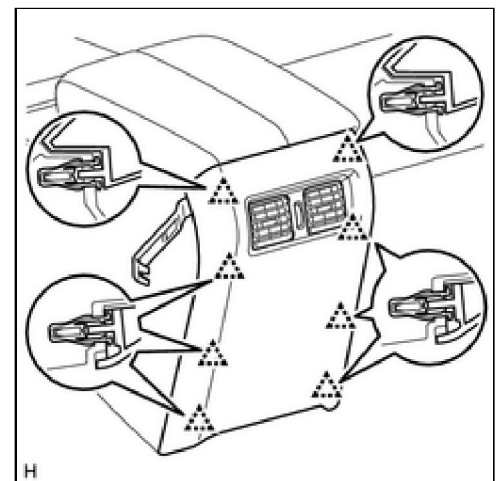
(a) Detach the 4 clips and 2 guides and remove the rear upper console panel.



11. REMOVE REAR CONSOLE END PANEL SUB-ASSEMBLY

(a) Using a moulding remover, detach the 8 clips and remove the rear console end panel.

(b) w/ Rear Air Conditioning System:
Disconnect the connector.



12. REMOVE REAR CONSOLE BOX ASSEMBLY

- (a) Remove the 2 screws and 4 bolts.
- (b) Detach the clamp.
- (c) Disconnect each connector and remove the rear console box.

