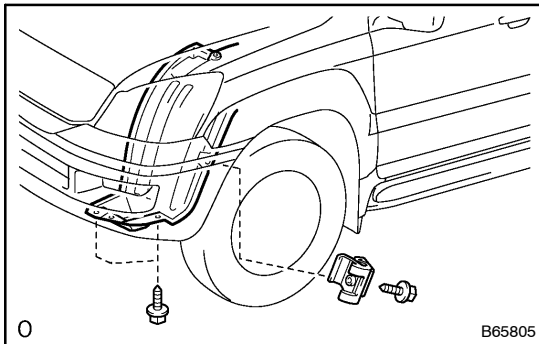


## REPLACEMENT

### HINT:

The installation is in the reverse order of the removal. However, when there is a special point concerning the installation, it is indicated.



- 1. REMOVE FRONT FENDER LINER LH**
  - (a) Remove the 3 screws.
  - (b) Remove the front part of the fender liner.

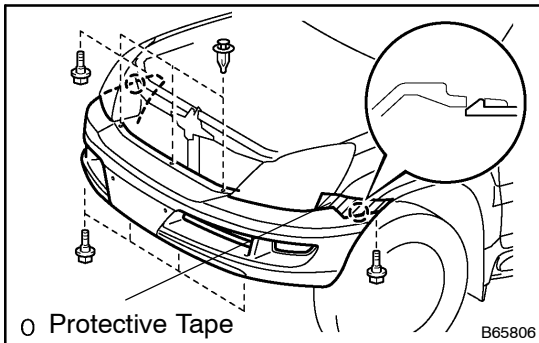
### 2. REMOVE FRONT FENDER LINER RH

#### HINT:

Use the same procedures above for the LH side.

### 3. REMOVE FRONT BUMPER COVER LOWER

- (a) Remove the 5 bolts and clip, and bumper cover lower.



- 4. REMOVE FRONT BUMPER COVER**
  - (a) Put protective tape under the front fender.
  - (b) Disconnect the fog lamp connector.
  - (c) Remove the 2 screws and 4 bolts.
  - (d) Remove the 3 clips.
  - (e) Using a screwdriver, disengage the 6 claws and remove the bumper cover.

#### HINT:

Tape the screwdriver tip before use.

### 5. REMOVE FRONT BUMPER STAY NO.2 LH

- (a) Remove the 2 bolts and 2 nuts, and bumper stay.

### 6. REMOVE FRONT BUMPER STAY NO.2 RH

- (a) Remove the 2 bolts and 2 nuts, and bumper stay.

### 7. REMOVE FRONT BUMPER RETAINER UPPER CENTER

- (a) Remove the bolt and bumper retainer upper center.

### 8. REMOVE FRONT BUMPER SIDE SUPPORT LH

- (a) Remove the screw and side support.

### 9. REMOVE FRONT BUMPER SIDE SUPPORT RH

- (a) Remove the screw and side support.

### 10. REMOVE FRONT BUMPER ENERGY ABSORBER

### 11. REMOVE FRONT BUMPER REINFORCEMENT SUB-ASSY

- (a) Remove the 4 nuts and reinforcement sub-assy.

### 12. REMOVE FRONT FOG LAMP ASSY LH

- (a) Remove the bolt and fog lamp.

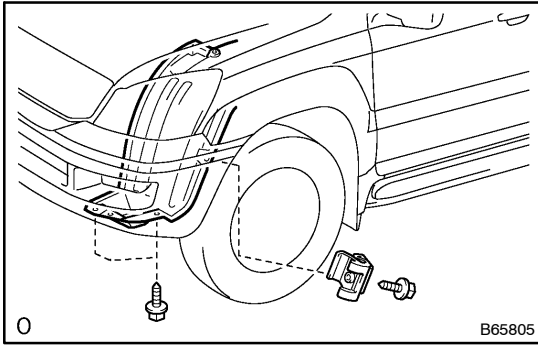
### 13. REMOVE FRONT FOG LAMP ASSY RH

- (a) Remove the bolt and fog lamp.

### 14. INSTALL FRONT BUMPER REINFORCEMENT SUB-ASSY

- (a) Install the front bumper reinforcement with the 4 nuts.

**Torque: 65 N·m (663 kgf·cm, 48 ft·lbf)**

**15. INSTALL FRONT FENDER LINER LH**

- (a) Install the front part of the fender liner.
- (b) Install the 3 screw.

**16. INSTALL FRONT FENDER LINER RH**

HINT:

Use the same procedures above for the LH side.