

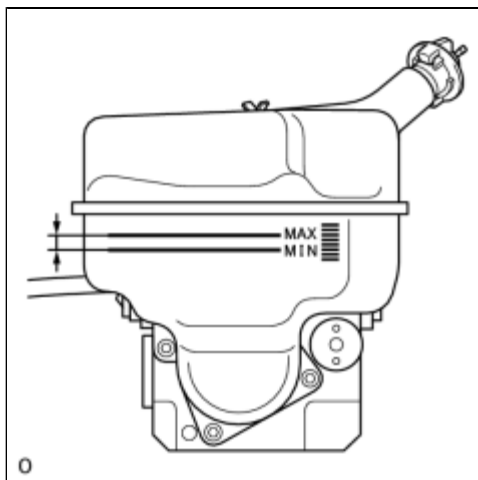
<b>Last Modified:</b> 11-27-2007		1.6 G
<b>Service Category:</b> Suspension	<b>Section:</b> Suspension Control System	
<b>Model Year:</b> 2008	<b>Model:</b> LX570	<b>Doc ID:</b> RM000003A03002X
<b>Title:</b> SUSPENSION CONTROL: DAMPING FORCE CONTROL ACTUATOR (for Front Side): ON-VEHICLE INSPECTION (2008 LX570)		

## ON-VEHICLE INSPECTION

1. REMOVE REAR QUARTER PANEL MUDGUARD RH INFO
2. REMOVE FUEL TANK FILLER PIPE PROTECTOR INFO
3. INSPECT FRONT SUSPENSION CONTROL ACCUMULATOR ASSEMBLY LH

### NOTICE:

Perform the following after inspecting and adjusting the vehicle height.



(a) With the vehicle empty, start the engine and set the vehicle height to LOW.

(b) Record the reservoir tank fluid level (A).

(c) Set the vehicle height to HIGH.

### HINT:

Make sure to check the fluid level approximately 30 seconds after the vehicle height changes to HIGH.

(d) Record the reservoir tank fluid level (B), and check that A minus B is within the specified value.

Specified Value:

A - B = 5 marks or more

If the result is not as specified, replace all suspension control accumulators.

