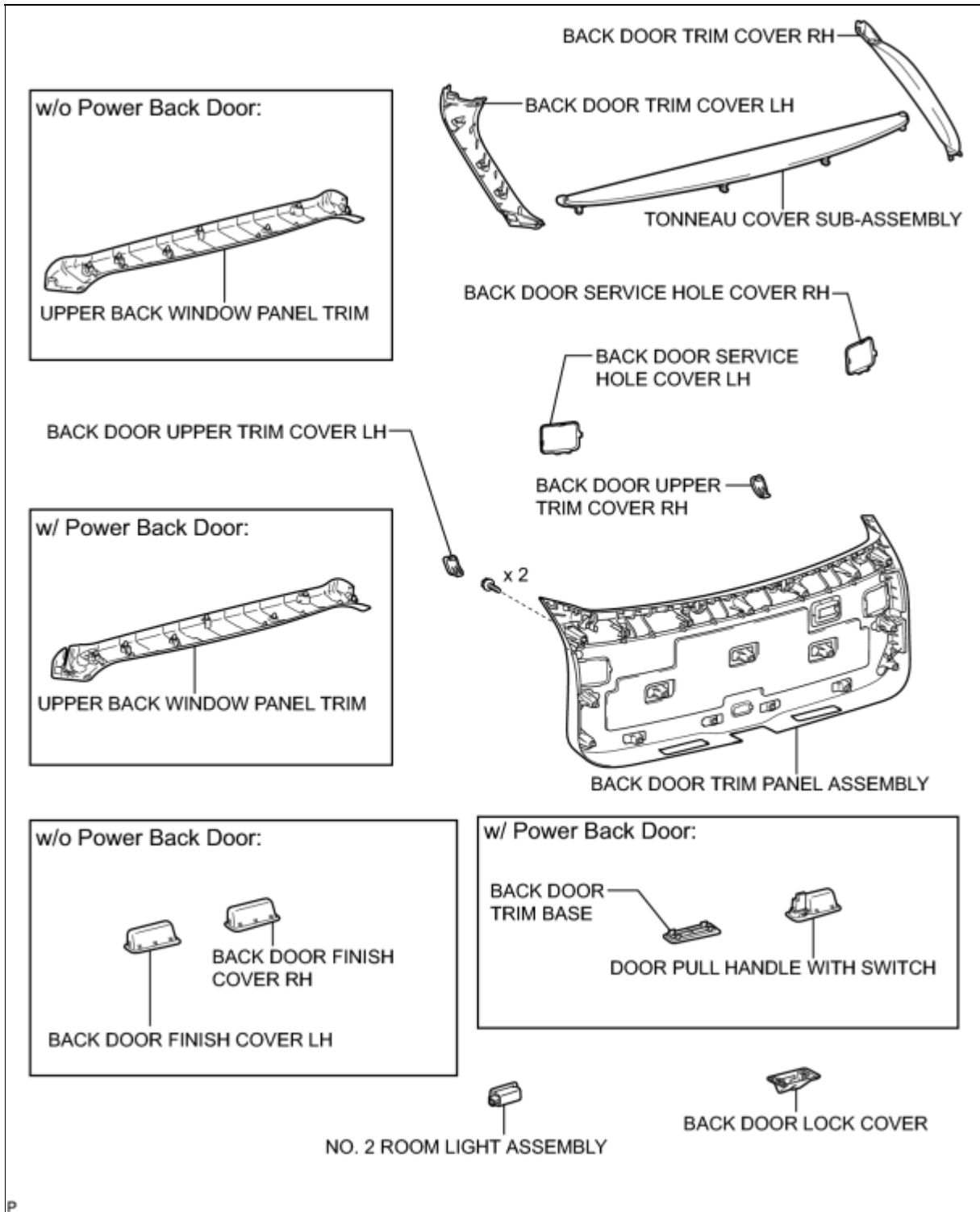


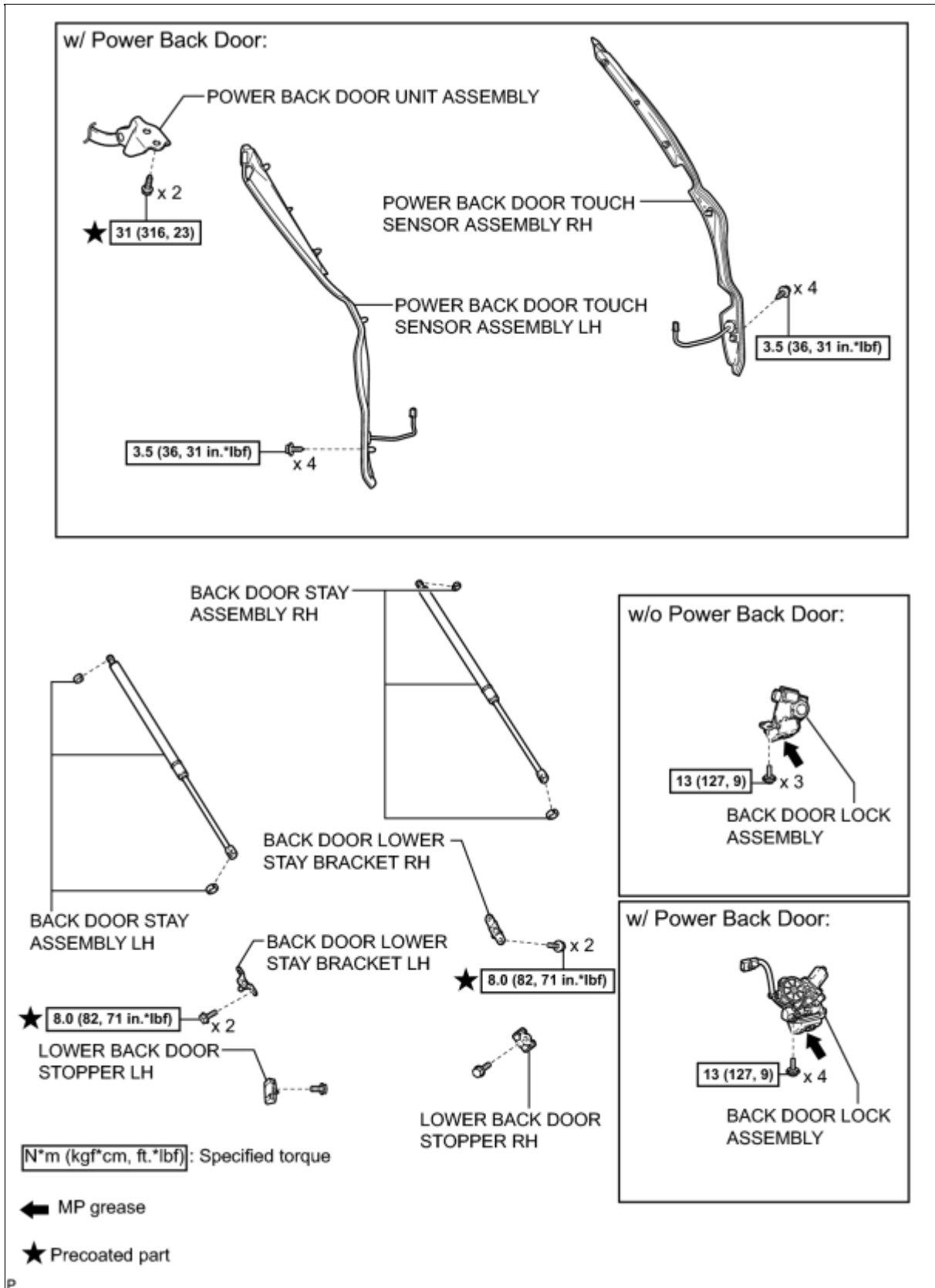
Last Modified: 10-4-2012	6.4 K	From: 201008
Model Year: 2011	Model: RX450H	Doc ID: RM0000024NR01AX
Title: DOOR / HATCH: BACK DOOR: COMPONENTS (2011 RX450H)		

COMPONENTS

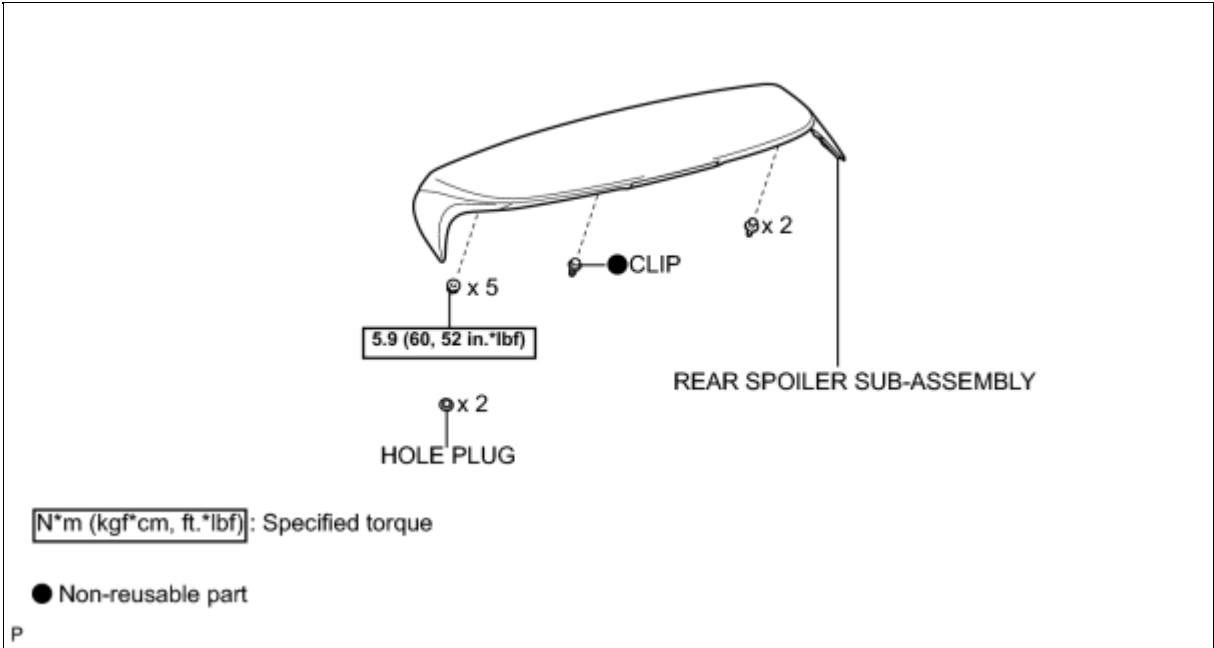
ILLUSTRATION



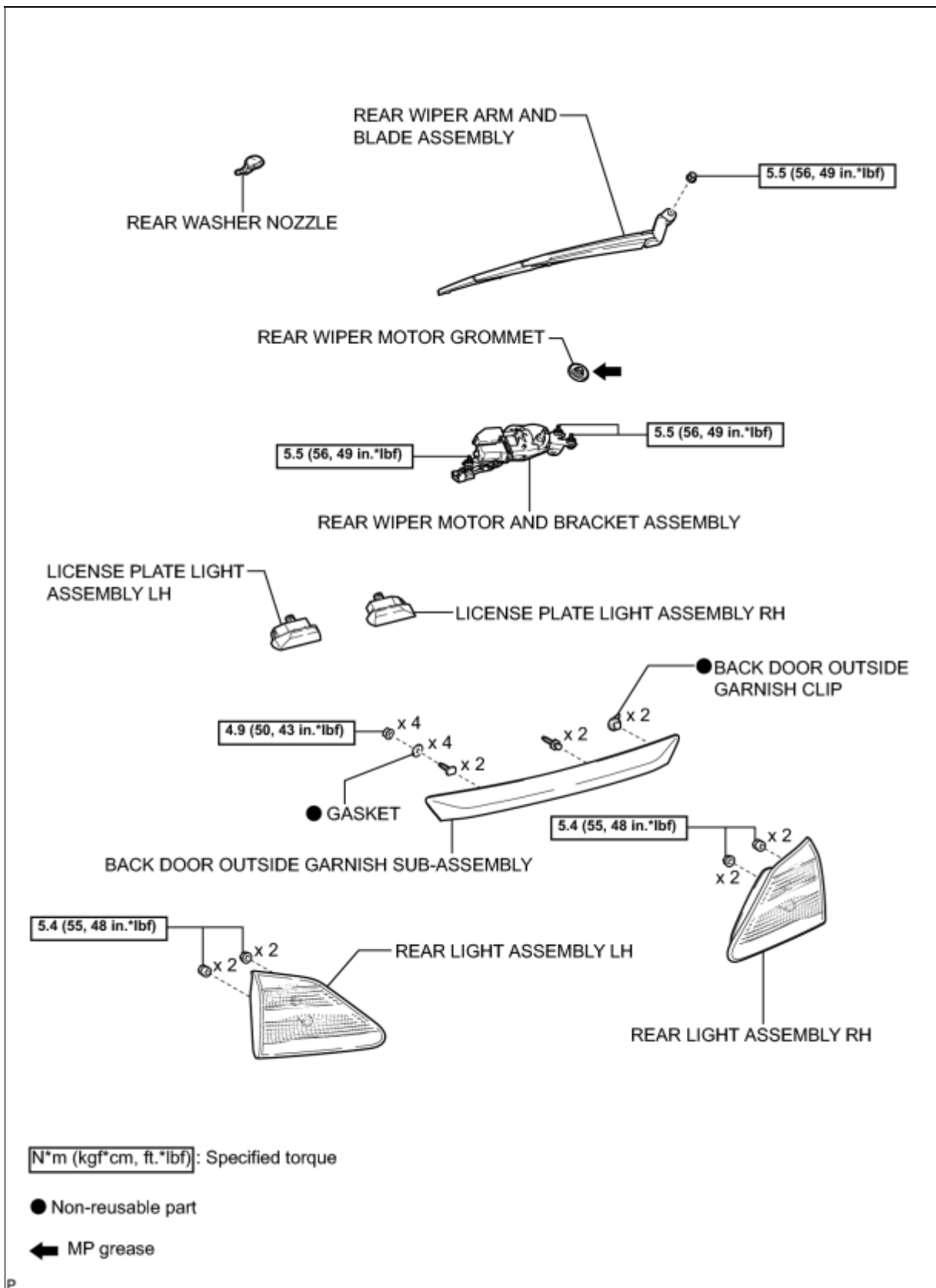
ILLUSTRATION



ILLUSTRATION

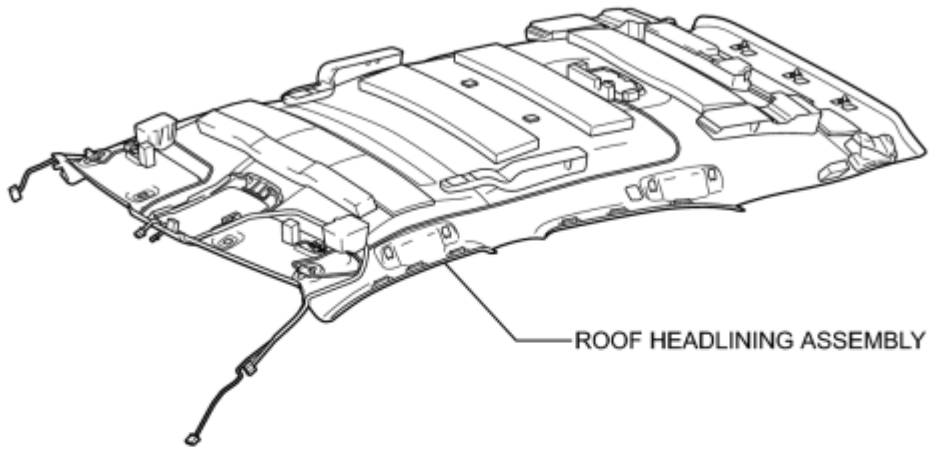


ILLUSTRATION

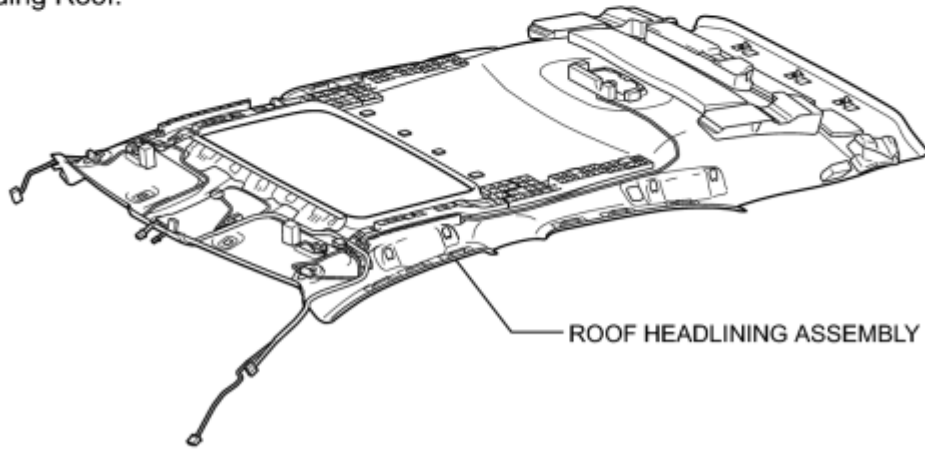


ILLUSTRATION

w/o Sliding Roof:



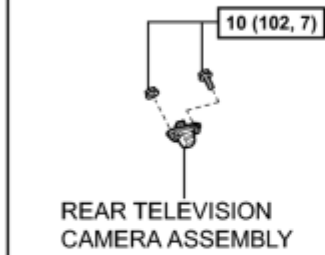
w/ Sliding Roof:



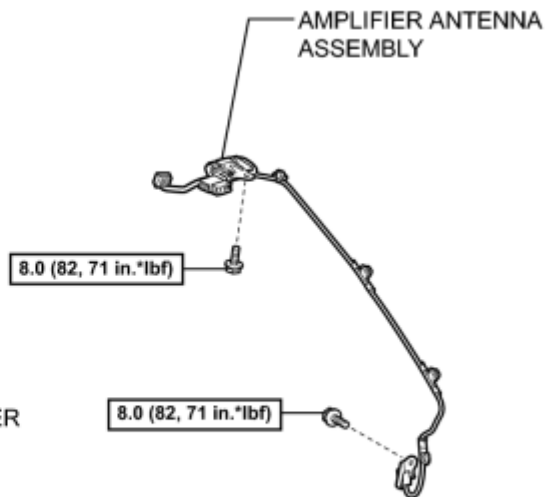
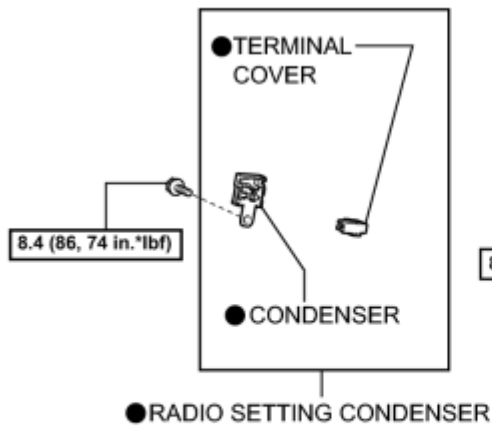
P

ILLUSTRATION

w/ Rear Monitor:



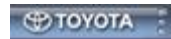
NO. 3 ANTENNA CORD SUB-ASSEMBLY



N*m (kgf*cm, ft.*lbf): Specified torque

● Non-reusable part

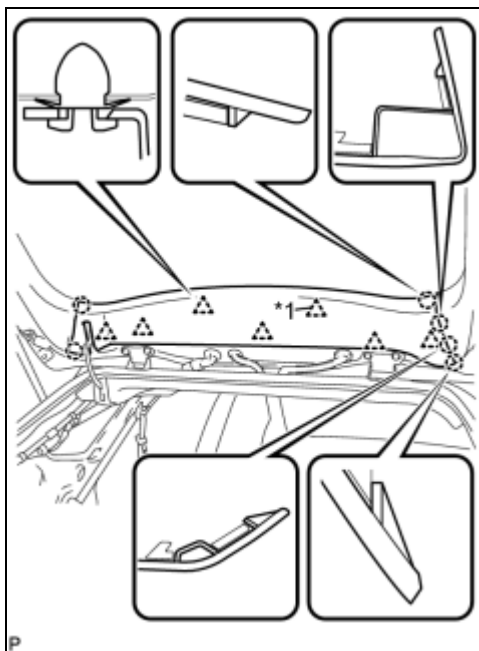
P



Last Modified: 10-4-2012	6.4 A	From: 201008
Model Year: 2011	Model: RX450H	Doc ID: RM0000024NS03TX
Title: DOOR / HATCH: BACK DOOR: DISASSEMBLY (2011 RX450H)		

DISASSEMBLY

1. REMOVE UPPER BACK WINDOW PANEL TRIM



(a) Disengage the 7 clips and 6 claws, and remove the upper back window panel trim.

Text in Illustration

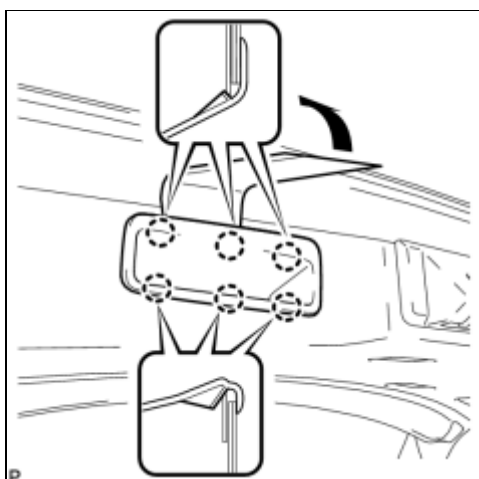
*1	2-piece Type Clip
----	-------------------

HINT:

If any clips remain on the back door panel after the upper back window panel trim is removed, remove the clips and install them to the upper back window panel trim.

2. REMOVE TONNEAU COVER SUB-ASSEMBLY

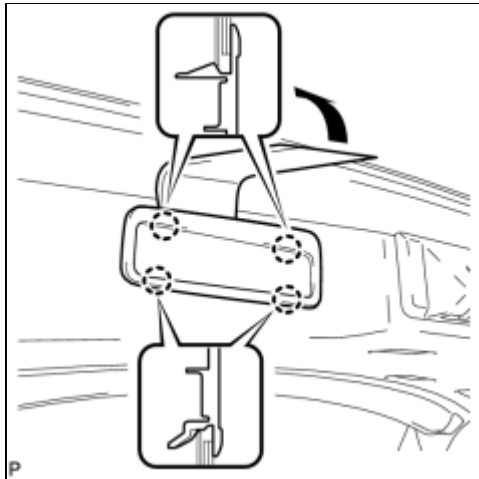
3. REMOVE BACK DOOR FINISH COVER LH (w/o Power Back Door)



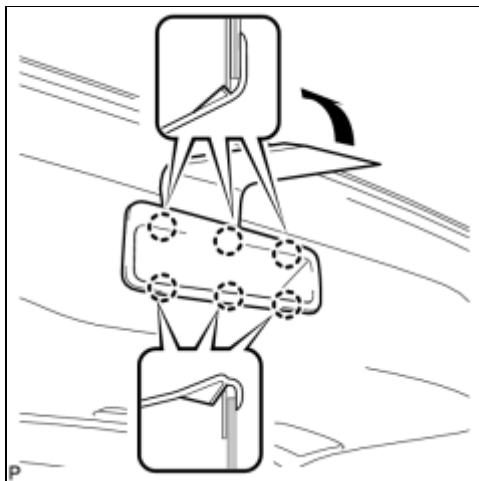
(a) Using a moulding remover, disengage the 6 claws and remove the back door finish cover LH.

4. REMOVE BACK DOOR TRIM BASE (w/ Power Back Door)

(a) Using a moulding remover, disengage the 4 claws and remove the back door trim base.

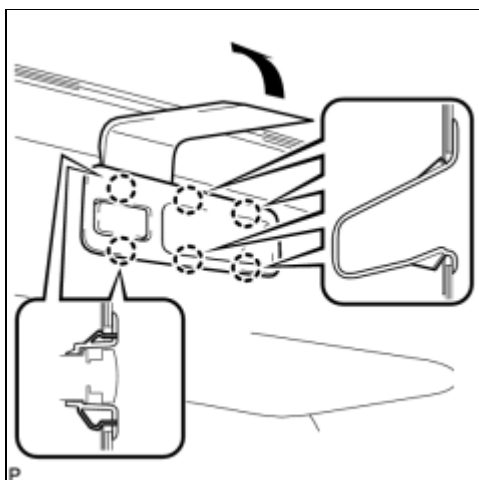


5. REMOVE BACK DOOR FINISH COVER RH (w/o Power Back Door)



(a) Using a moulding remover, disengage the 6 claws and remove the back door finish cover RH.

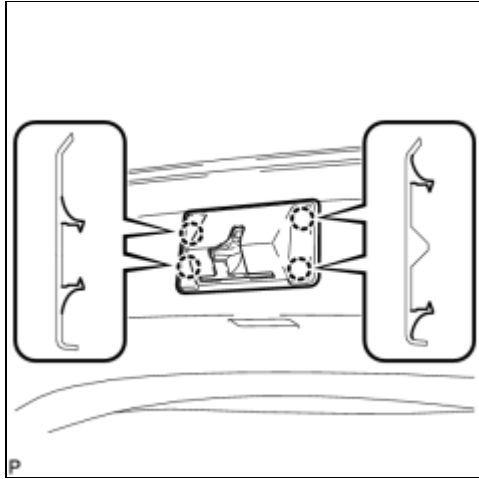
6. REMOVE DOOR PULL HANDLE WITH SWITCH (w/ Power Back Door)



(a) Using a moulding remover, disengage the 6 claws and remove the door pull handle with switch.

(b) Disconnect the connector.

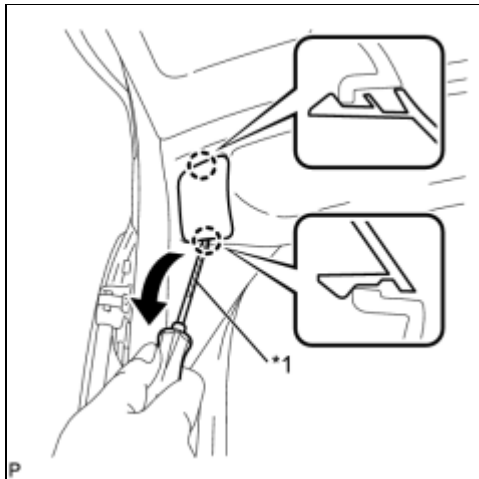
7. REMOVE BACK DOOR LOCK COVER



(a) Disengage the 4 claws and remove the back door lock cover.

8. REMOVE NO. 2 ROOM LIGHT ASSEMBLY INFO

9. REMOVE BACK DOOR UPPER TRIM COVER LH



(a) Using a screwdriver, disengage the 2 claws and remove the back door upper trim cover LH as shown in the illustration.

HINT:

Tape the screwdriver tip before use.

Text in Illustration

*1	Protective Tape
----	-----------------

10. REMOVE BACK DOOR UPPER TRIM COVER RH



(a) Using a screwdriver, disengage the 2 claws and remove the back door upper trim cover RH as shown in the illustration.

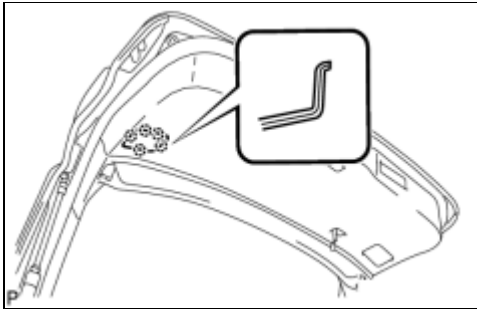
HINT:

Tape the screwdriver tip before use.

Text in Illustration

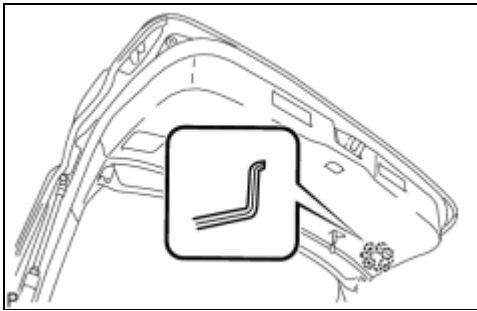
*1	Protective Tape
----	-----------------

11. REMOVE BACK DOOR SERVICE HOLE COVER LH



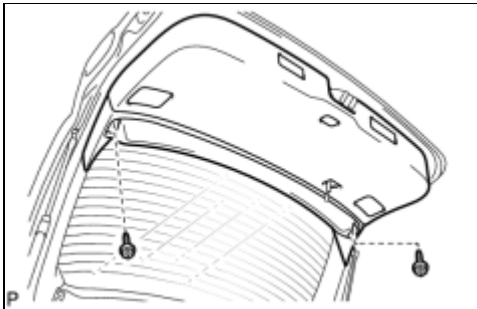
(a) Disengage the 5 claws and remove the back door service hole cover LH.

12. REMOVE BACK DOOR SERVICE HOLE COVER RH



(a) Disengage the 5 claws and remove the back door service hole cover RH.

13. REMOVE BACK DOOR TRIM PANEL ASSEMBLY

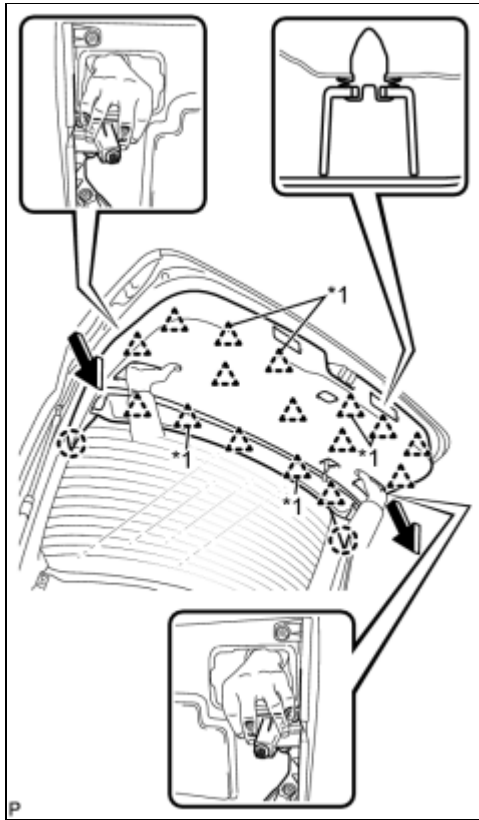


(a) Remove the 2 screws.

(b) Grab the service holes by hand.

NOTICE:

Make sure to hold the clip bases as shown in the illustration.



(c) Pull the back door trim panel assembly in the direction shown by the arrows in the illustration (pull perpendicular to the surface of the trim panel) to disengage the 2 claws and 16 clips, and remove the back door trim panel assembly.

Text in Illustration

*1	2-piece Type Clip
----	-------------------

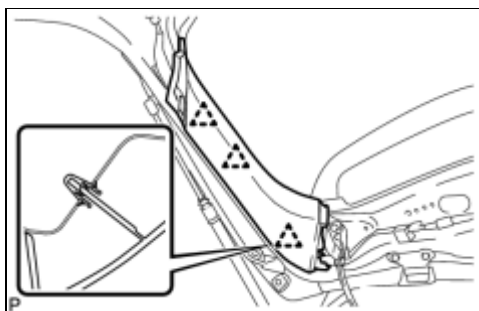
NOTICE:

Removing the back door trim panel assembly at an angle may cause deformation or damage. To avoid this, make sure to pull the panel in the direction shown by the arrows (pull perpendicular to the surface of the panel).

HINT:

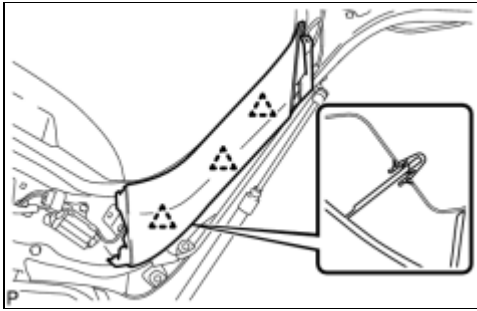
If any clips remain on the back door panel after the back door trim panel assembly is removed, remove the clips and install them to the back door trim panel assembly.

14. REMOVE BACK DOOR TRIM COVER LH



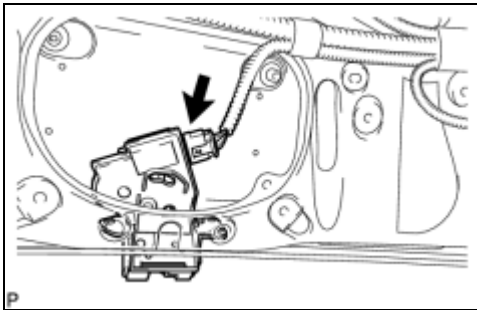
(a) Disengage the 3 clips and remove the back door trim cover LH.

15. REMOVE BACK DOOR TRIM COVER RH

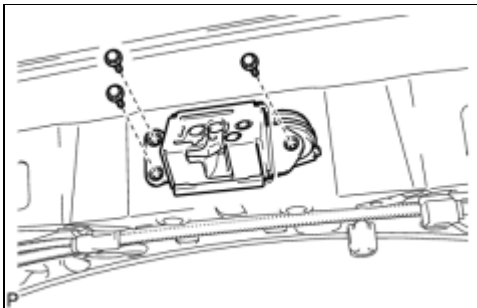


(a) Disengage the 3 clips and remove the back door trim cover RH.

16. REMOVE BACK DOOR LOCK ASSEMBLY (w/o Power Back Door)

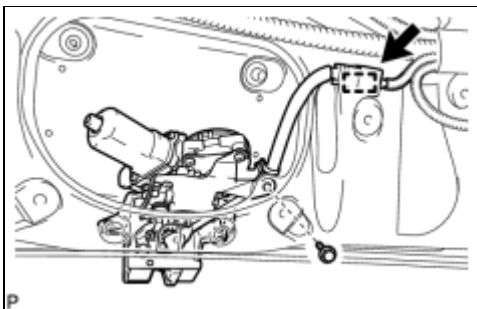


(a) Disconnect the connector.



(b) Remove the 3 bolts and back door lock assembly.

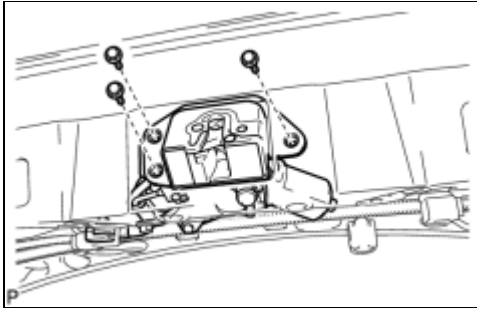
17. REMOVE BACK DOOR LOCK ASSEMBLY (w/ Power Back Door)



(a) Disconnect the connector.

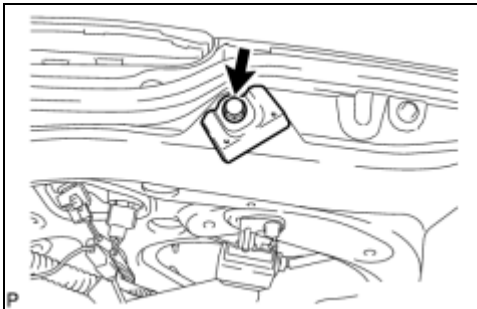
(b) Disengage the clamp.

(c) Remove the bolt.



(d) Remove the 3 bolts and back door lock assembly.

18. REMOVE LOWER BACK DOOR STOPPER LH



(a) Remove the bolt and lower back door stopper LH.

19. REMOVE LOWER BACK DOOR STOPPER RH

HINT:

Use the same procedure for the RH side and LH side.

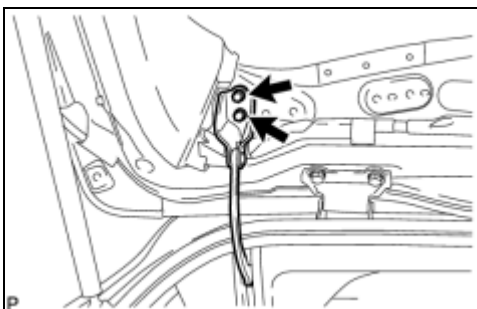
20. REMOVE POWER BACK DOOR TOUCH SENSOR ASSEMBLY LH (w/ Power Back Door) INFO

21. REMOVE POWER BACK DOOR TOUCH SENSOR ASSEMBLY RH (w/ Power Back Door)

HINT:

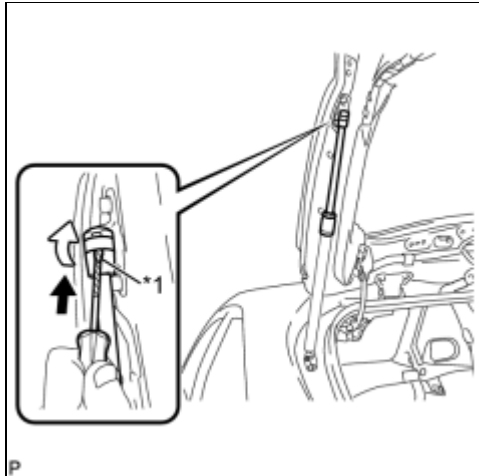
Use the same procedure for the RH side and LH side.

22. DISCONNECT POWER BACK DOOR UNIT ASSEMBLY (w/ Power Back Door)



(a) Remove the 2 bolts and disconnect the power back door unit assembly.

23. DISCONNECT BACK DOOR STAY ASSEMBLY LH



(a) Using a screwdriver, remove the stop ring along the groove.

HINT:

Tape the screwdriver tip before use.

Text in Illustration

*1	Protective Tape
----	-----------------

(b) Release the ball joint and disengage the back door stay assembly LH.

NOTICE:

Remove the back door stay assembly while supporting the back door by hand.

24. DISCONNECT BACK DOOR STAY ASSEMBLY RH

HINT:

Use the same procedure for the RH side and LH side.

25. REMOVE BACK DOOR LOWER STAY BRACKET LH INFO

26. REMOVE BACK DOOR LOWER STAY BRACKET RH

HINT:

Use the same procedure for the RH side and LH side.

27. REMOVE AMPLIFIER ANTENNA ASSEMBLY INFO

28. REMOVE REAR LIGHT ASSEMBLY LH INFO

29. REMOVE REAR LIGHT ASSEMBLY RH

HINT:

Use the same procedure for the RH side and LH side.

30. REMOVE BACK DOOR OUTSIDE GARNISH SUB-ASSEMBLY INFO

31. REMOVE LICENSE PLATE LIGHT ASSEMBLY LH INFO

32. REMOVE LICENSE PLATE LIGHT ASSEMBLY RH

HINT:

Use the same procedure for the RH side and LH side.

33. REMOVE REAR TELEVISION CAMERA ASSEMBLY (w/ Rear Monitor) INFO

34. REMOVE REAR SPOILER SUB-ASSEMBLY INFO

35. REMOVE REAR WIPER ARM AND BLADE ASSEMBLY [INFO](#)

36. REMOVE REAR WIPER MOTOR GROMMET [INFO](#)

37. REMOVE REAR WIPER MOTOR AND BRACKET ASSEMBLY [INFO](#)

38. REMOVE REAR WASHER NOZZLE [INFO](#)

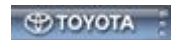
39. REMOVE ROOF HEADLINING ASSEMBLY

HINT:

Refer to the procedure up to Remove Roof Headlining Assembly [INFO](#) .

40. REMOVE NO. 3 ANTENNA CORD SUB-ASSEMBLY [INFO](#)

41. REMOVE RADIO SETTING CONDENSER [INFO](#)

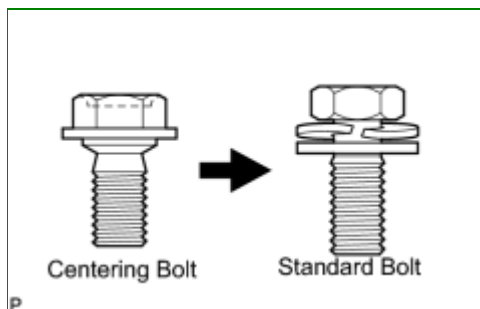


Last Modified: 10-4-2012	6.4 N	From: 201008
Model Year: 2011	Model: RX450H	Doc ID: RM0000024NQ01TX
Title: DOOR / HATCH: BACK DOOR: ADJUSTMENT (2011 RX450H)		

ADJUSTMENT

HINT:

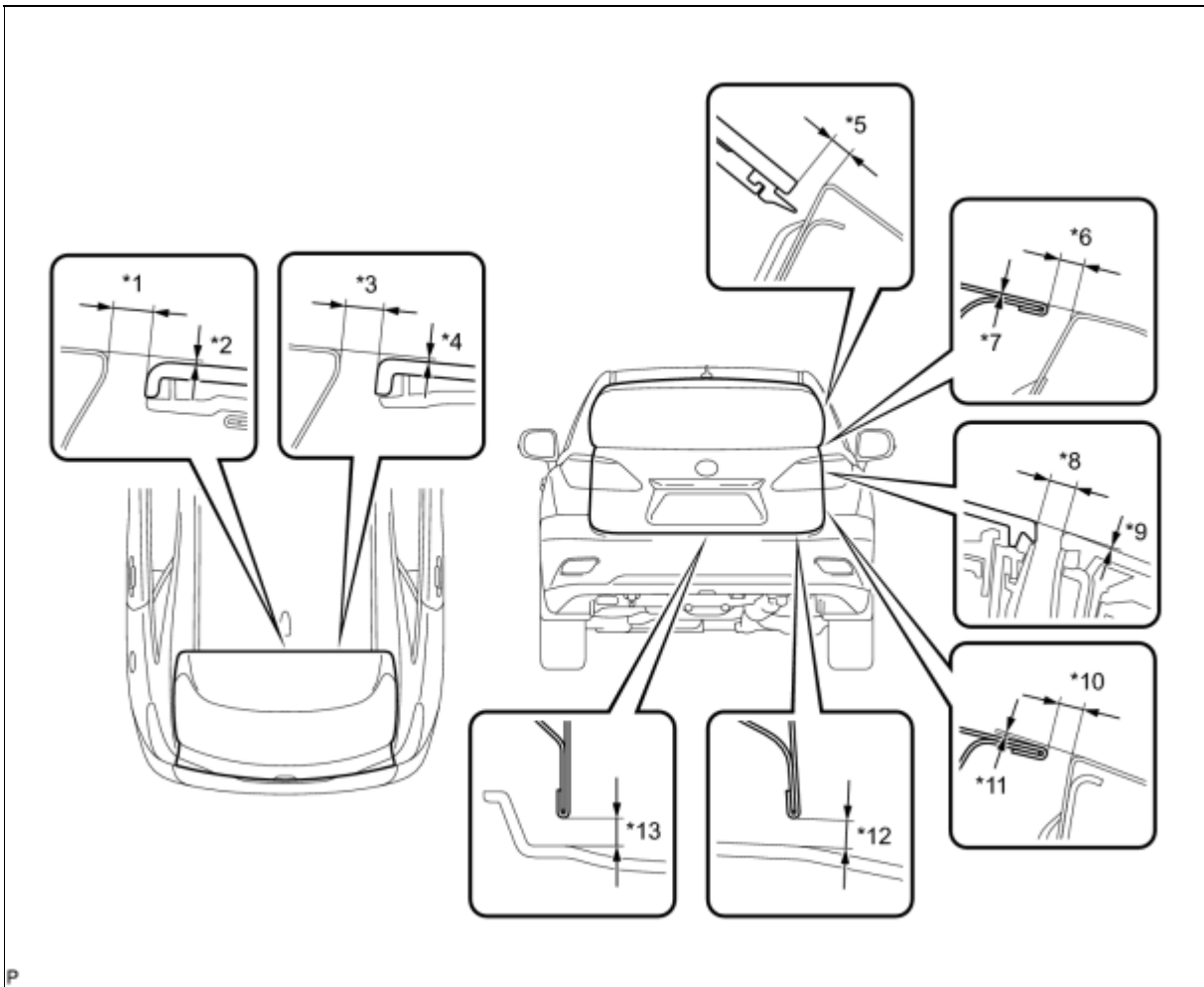
- Use the same procedure for the RH side and LH side.



- The following procedure is for the LH side.
- Centering bolts are used to mount the door hinge to the vehicle body and door. The door cannot be adjusted with the centering bolts installed. Substitute the centering bolts with standard bolts (with washers) when making adjustments.
- Specified torque for standard bolts is shown in the standard bolt chart [INFO](#) .

1. INSPECT BACK DOOR

- (a) Check that the clearance measurements of areas *1 through *13 are within each standard range.



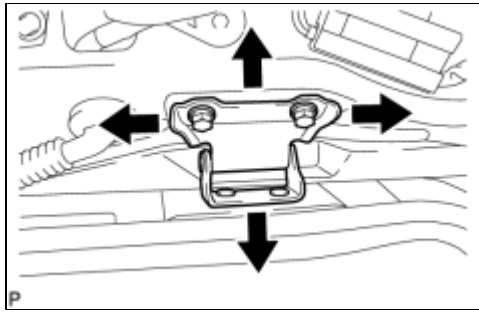
Standard Clearance

AREA	MEASUREMENT	AREA	MEASUREMENT
*1	6.8 to 10.8 mm (0.268 to 0.425 in.)	*2	-1.0 to 3.0 mm (-0.0394 to 0.118 in.)
*3	6.8 to 10.8 mm (0.268 to 0.425 in.)	*4	-1.0 to 3.0 mm (-0.0394 to 0.118 in.)
*5	3.5 to 7.5 mm (0.1380 to 0.295 in.)	*6	4.0 to 7.0 mm (0.157 to 0.276 in.)
*7	-1.5 to 1.5 mm (-0.0591 to 0.0591 in.)	*8	3.5 to 7.5 mm (0.1380 to 0.295 in.)
*9	-2.0 to 2.0 mm (-0.0787 to 0.0787 in.)	*10	4.0 to 7.0 mm (0.157 to 0.276 in.)
*11	-0.9 to 2.1 mm (-0.0354 to 0.0827 in.)	*12	4.5 to 7.5 mm (0.177 to 0.295 in.)
*13	4.5 to 7.5 mm (0.177 to 0.295 in.)	-	-

2. REMOVE REAR FLOOR FINISH PLATE INFO

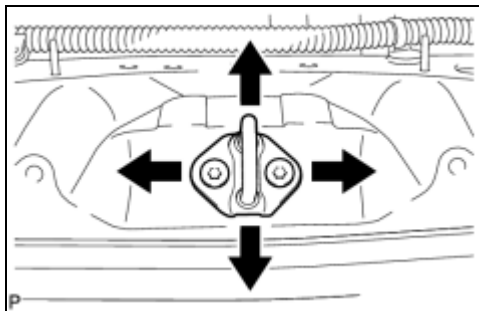
3. ADJUST BACK DOOR

(a) Before adjusting the upper end of the back door up and down or left and right, loosen the bolts.



(b) Tighten the body side hinge after the adjustment.

Torque: 20 N·m (199 kgf·cm, 14ft·lbf)



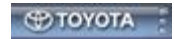
(c) Using a T40 "TORX" socket wrench, slightly loosen the striker mounting screws.

(d) Using a brass bar and a hammer, hit the striker to adjust its position.

(e) Using a T40 "TORX" socket wrench, tighten the striker mounting screws after the adjustment.

Torque: 23 N·m (235 kgf·cm, 17ft·lbf)

4. INSTALL REAR FLOOR FINISH PLATE INFO



Last Modified: 10-4-2012	6.4 A	From: 201008
Model Year: 2011	Model: RX450H	Doc ID: RM0000024NT01HX
Title: DOOR / HATCH: BACK DOOR: REASSEMBLY (2011 RX450H)		

REASSEMBLY

1. INSTALL RADIO SETTING CONDENSER [INFO](#)
2. INSTALL NO. 3 ANTENNA CORD SUB-ASSEMBLY [INFO](#)
3. INSTALL ROOF HEADLINING ASSEMBLY

HINT:

Refer to the procedure from Install Roof Headlining Assembly [INFO](#) .

4. INSTALL REAR WASHER NOZZLE [INFO](#)
5. INSPECT REAR WASHER NOZZLE [INFO](#)
6. ADJUST REAR WASHER NOZZLE [INFO](#)
7. INSTALL REAR WIPER MOTOR AND BRACKET ASSEMBLY [INFO](#)
8. INSTALL REAR WIPER MOTOR GROMMET [INFO](#)
9. INSTALL REAR WIPER ARM AND BLADE ASSEMBLY [INFO](#)
10. INSTALL REAR SPOILER SUB-ASSEMBLY [INFO](#)
11. INSTALL REAR TELEVISION CAMERA ASSEMBLY (w/ Rear Monitor) [INFO](#)
12. INSTALL LICENSE PLATE LIGHT ASSEMBLY LH [INFO](#)
13. INSTALL LICENSE PLATE LIGHT ASSEMBLY RH

HINT:

Use the same procedure for the RH side and LH side.

14. INSTALL BACK DOOR OUTSIDE GARNISH SUB-ASSEMBLY [INFO](#)
15. INSTALL REAR LIGHT ASSEMBLY LH [INFO](#)
16. INSTALL REAR LIGHT ASSEMBLY RH

HINT:

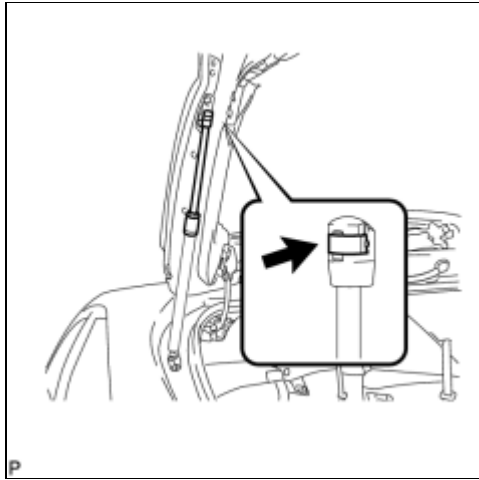
Use the same procedure for the RH side and LH side.

17. INSTALL AMPLIFIER ANTENNA ASSEMBLY [INFO](#)
18. INSTALL BACK DOOR LOWER STAY BRACKET LH [INFO](#)
19. INSTALL BACK DOOR LOWER STAY BRACKET RH

HINT:

Use the same procedure for the RH side and LH side.

20. CONNECT BACK DOOR STAY ASSEMBLY LH



(a) Install the stop ring to the power back door rod.

(b) Install the back door stay assembly LH.

NOTICE:

- Install the back door stay assembly while supporting the back door by hand.
- Check that the back door stay assembly is engaged in the ball joint and that the back door stay assembly cannot be pulled out.

21. CONNECT BACK DOOR STAY ASSEMBLY RH

HINT:

Use the same procedure for the RH side and LH side.

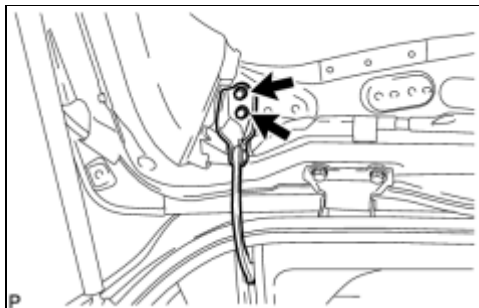
22. CONNECT POWER BACK DOOR UNIT ASSEMBLY (w/ Power Back Door)

(a) Clean the threaded portion on the vehicle body with a non-residue solvent.

(b) Apply adhesive to the threads of the 2 bolts.

Adhesive:

Toyota Genuine Adhesive 1324, Three Bond 1324 or equivalent



(c) Connect the power back door unit assembly with the 2 bolts.

Torque: 31 N·m (316 kgf·cm, 23ft·lbf)

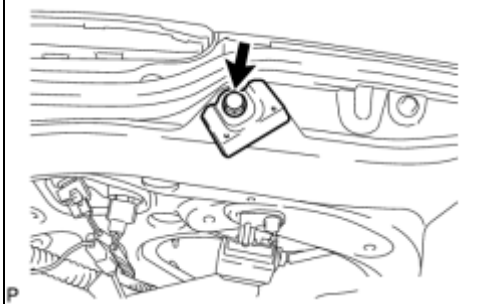
23. INSTALL POWER BACK DOOR TOUCH SENSOR ASSEMBLY LH (w/ Power Back Door) INFO

24. INSTALL POWER BACK DOOR TOUCH SENSOR ASSEMBLY RH (w/ Power Back Door)

HINT:

Use the same procedure for the RH side and LH side.

25. INSTALL LOWER BACK DOOR STOPPER LH



(a) Install the lower back door stopper LH with the bolt.

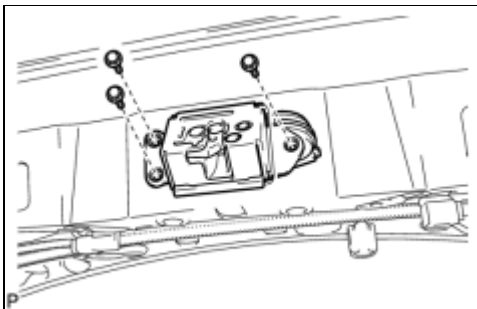
26. INSTALL LOWER BACK DOOR STOPPER RH

HINT:

Use the same procedure for the RH side and LH side.

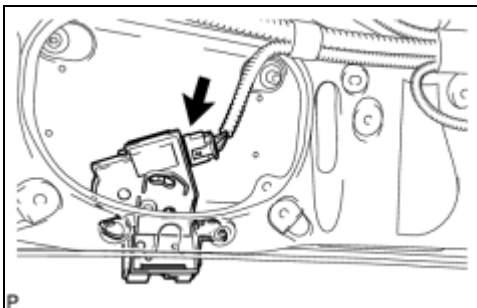
27. INSTALL BACK DOOR LOCK ASSEMBLY (w/o Power Back Door)

(a) Apply MP grease to the sliding parts of the back door lock assembly.



(b) Install the back door lock assembly with the 3 bolts.

Torque: 13 N·m (127 kgf·cm, 9ft·lbf)

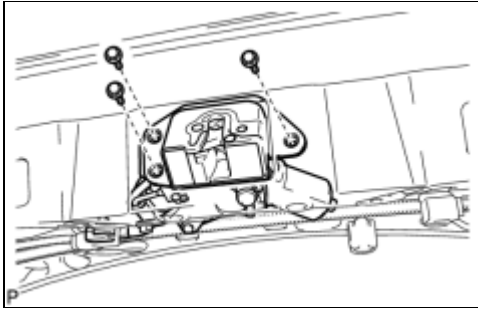


(c) Connect the connector.

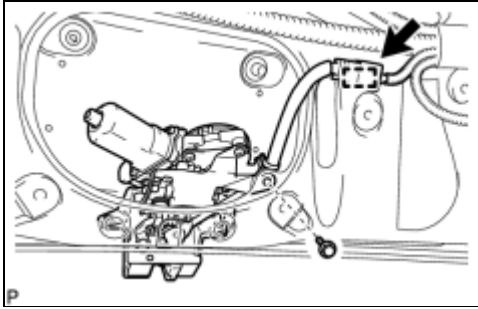
28. INSTALL BACK DOOR LOCK ASSEMBLY (w/ Power Back Door)

(a) Apply MP grease to the sliding parts of the back door lock assembly.

(b) Install the back door lock assembly with the 3 bolts.



Torque: 13 N·m (127 kgf·cm, 9ft·lbf)



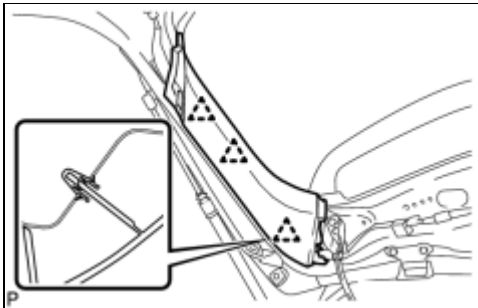
(c) Install the bolt.

Torque: 13 N·m (127 kgf·cm, 9ft·lbf)

(d) Engage the clamp.

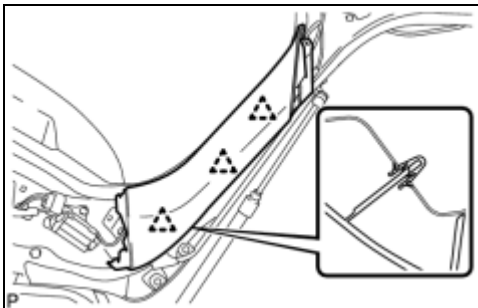
(e) Connect the connector.

29. INSTALL BACK DOOR TRIM COVER LH



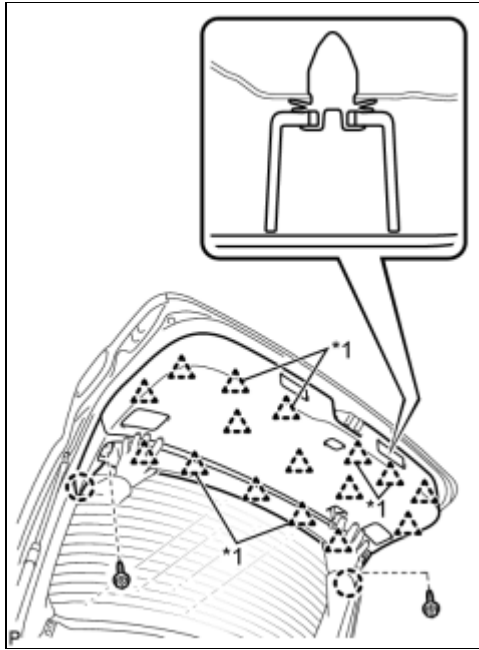
(a) Engage the 3 clips to install the back door trim cover LH.

30. INSTALL BACK DOOR TRIM COVER RH



(a) Engage the 3 clips to install the back door trim cover RH.

31. INSTALL BACK DOOR TRIM PANEL ASSEMBLY



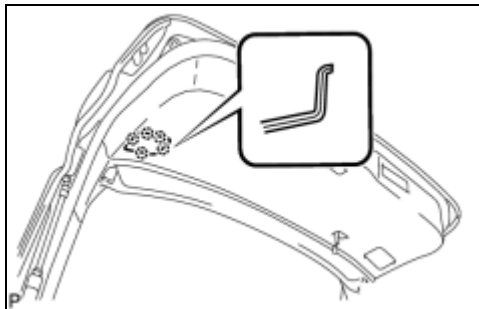
(a) Engage the 2 claws and 16 clips to install the back door trim panel assembly.

Text in Illustration

*1	2-piece Type Clip
----	-------------------

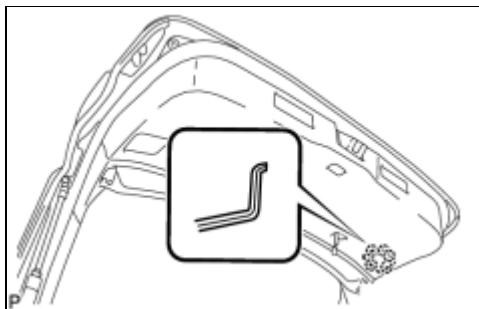
(b) Install the 2 screws.

32. INSTALL BACK DOOR SERVICE HOLE COVER LH



(a) Engage the 5 claws to install the back door service hole cover LH.

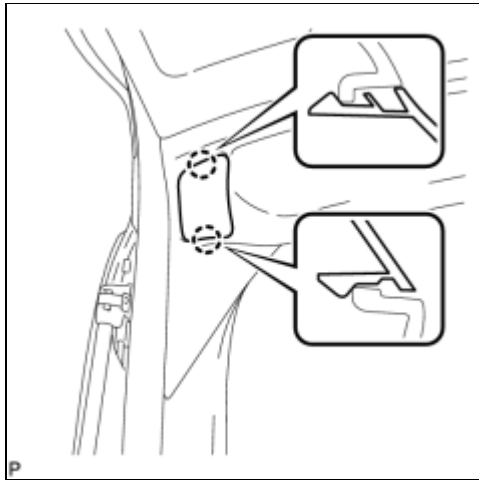
33. INSTALL BACK DOOR SERVICE HOLE COVER RH



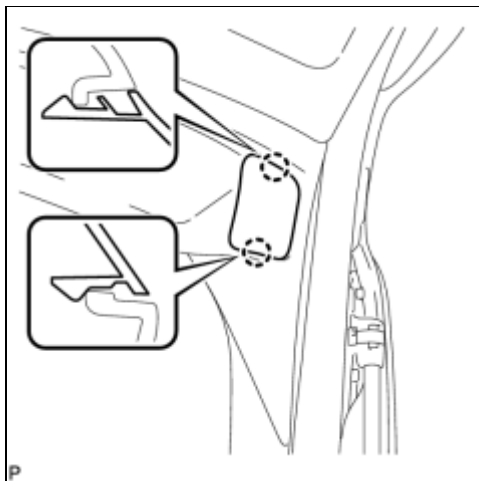
(a) Engage the 5 claws to install the back door service hole cover RH.

34. INSTALL BACK DOOR UPPER TRIM COVER LH

(a) Engage the 2 claws to install the back door upper trim cover LH.



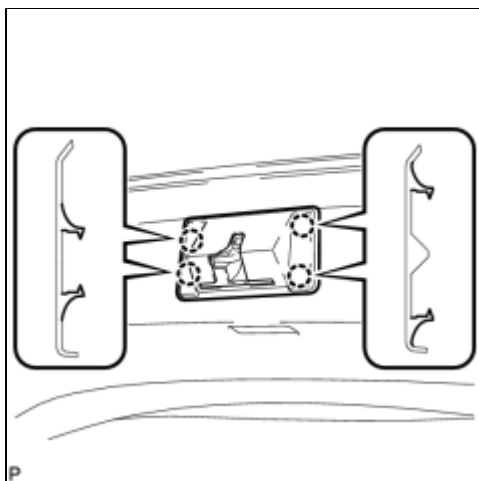
35. INSTALL BACK DOOR UPPER TRIM COVER RH



(a) Engage the 2 claws to install the back door upper trim cover RH.

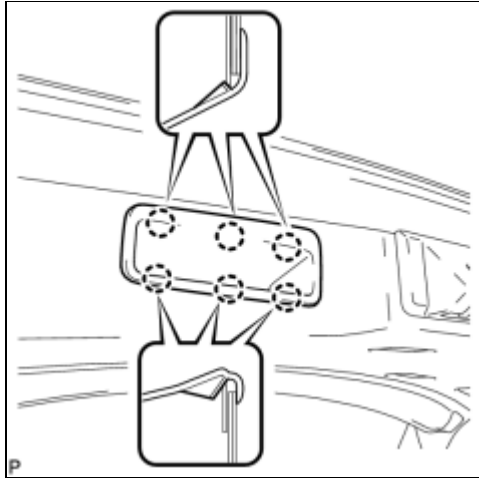
36. INSTALL NO. 2 ROOM LIGHT ASSEMBLY INFO

37. INSTALL BACK DOOR LOCK COVER



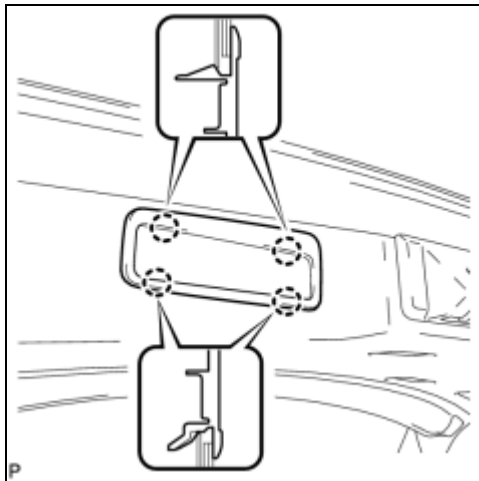
(a) Engage the 4 claws to install the back door lock cover.

38. INSTALL BACK DOOR FINISH COVER LH (w/o Power Back Door)



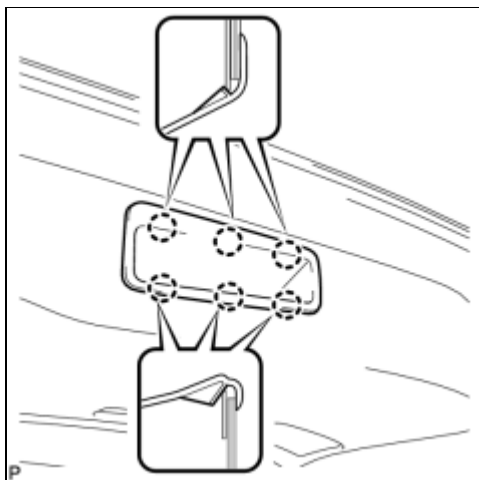
(a) Engage the 6 claws to install the back door finish cover LH.

39. INSTALL BACK DOOR TRIM BASE (w/ Power Back Door)



(a) Engage the 4 claws to install the back door trim base.

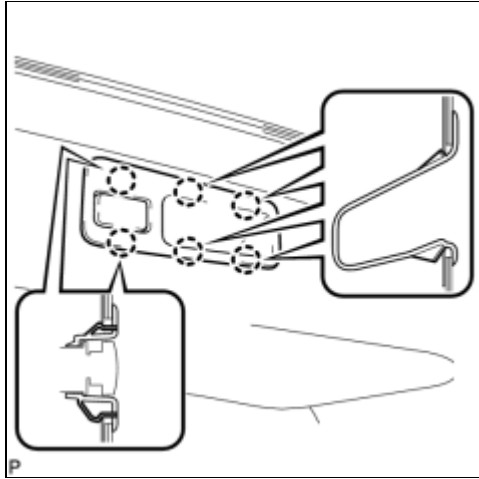
40. INSTALL BACK DOOR FINISH COVER RH (w/o Power Back Door)



(a) Engage the 6 claws to install the back door finish cover RH.

41. INSTALL DOOR PULL HANDLE WITH SWITCH (w/ Power Back Door)

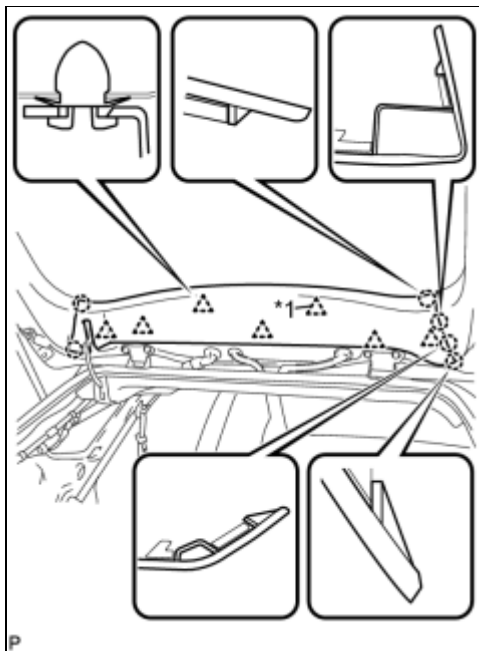
(a) Connect the connector.



(b) Engage the 6 claws to install the door pull handle with switch.

42. INSTALL TONNEAU COVER SUB-ASSEMBLY

43. INSTALL UPPER BACK WINDOW PANEL TRIM



(a) Engage the 7 clips and 6 claws to install the upper back window panel trim.

Text in Illustration

*1	2-piece Type Clip
----	-------------------

44. ADJUST REAR TELEVISION CAMERA OPTICAL AXIS (CAMERA POSITION SETTINGS) (w/ Parking Assist Monitor System)

INFC

