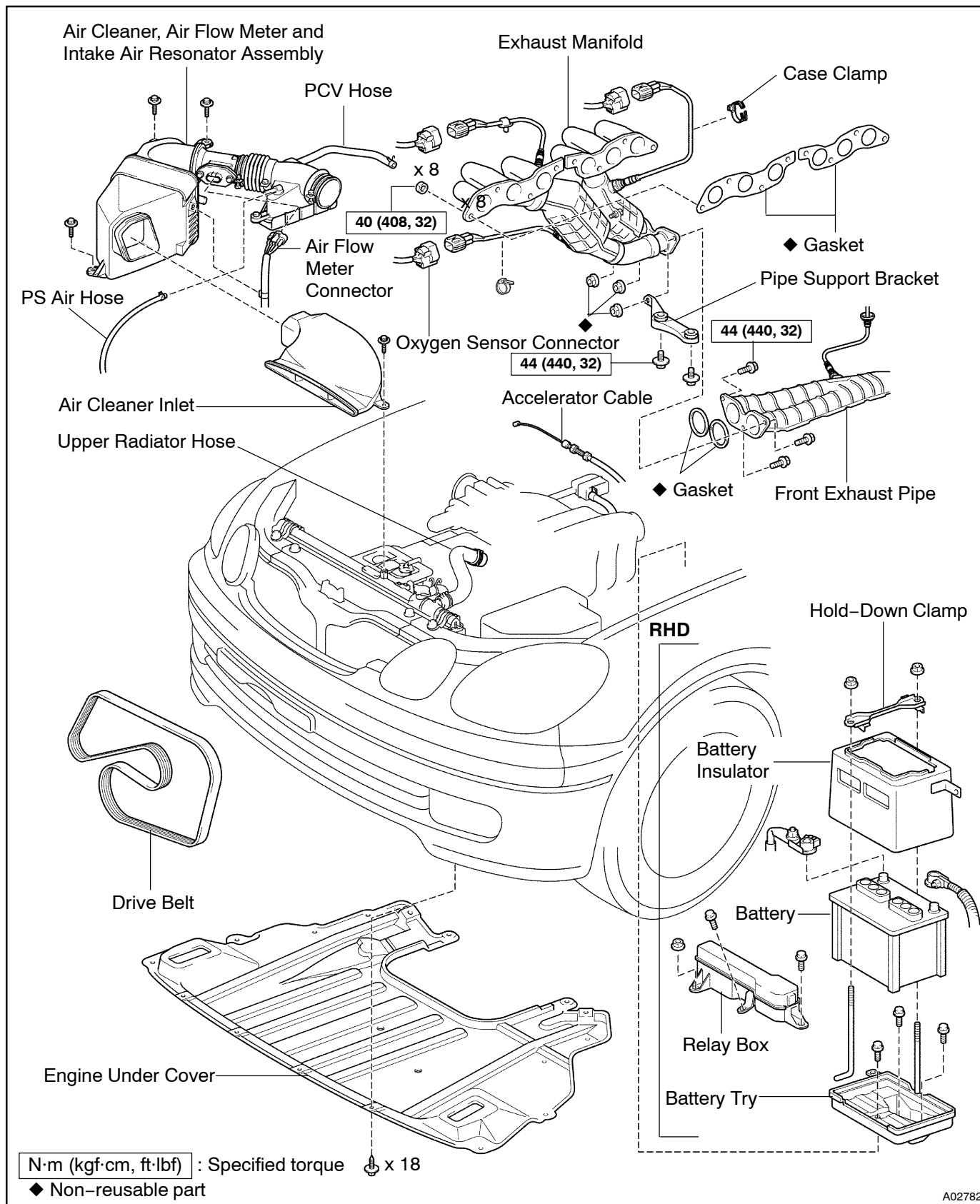
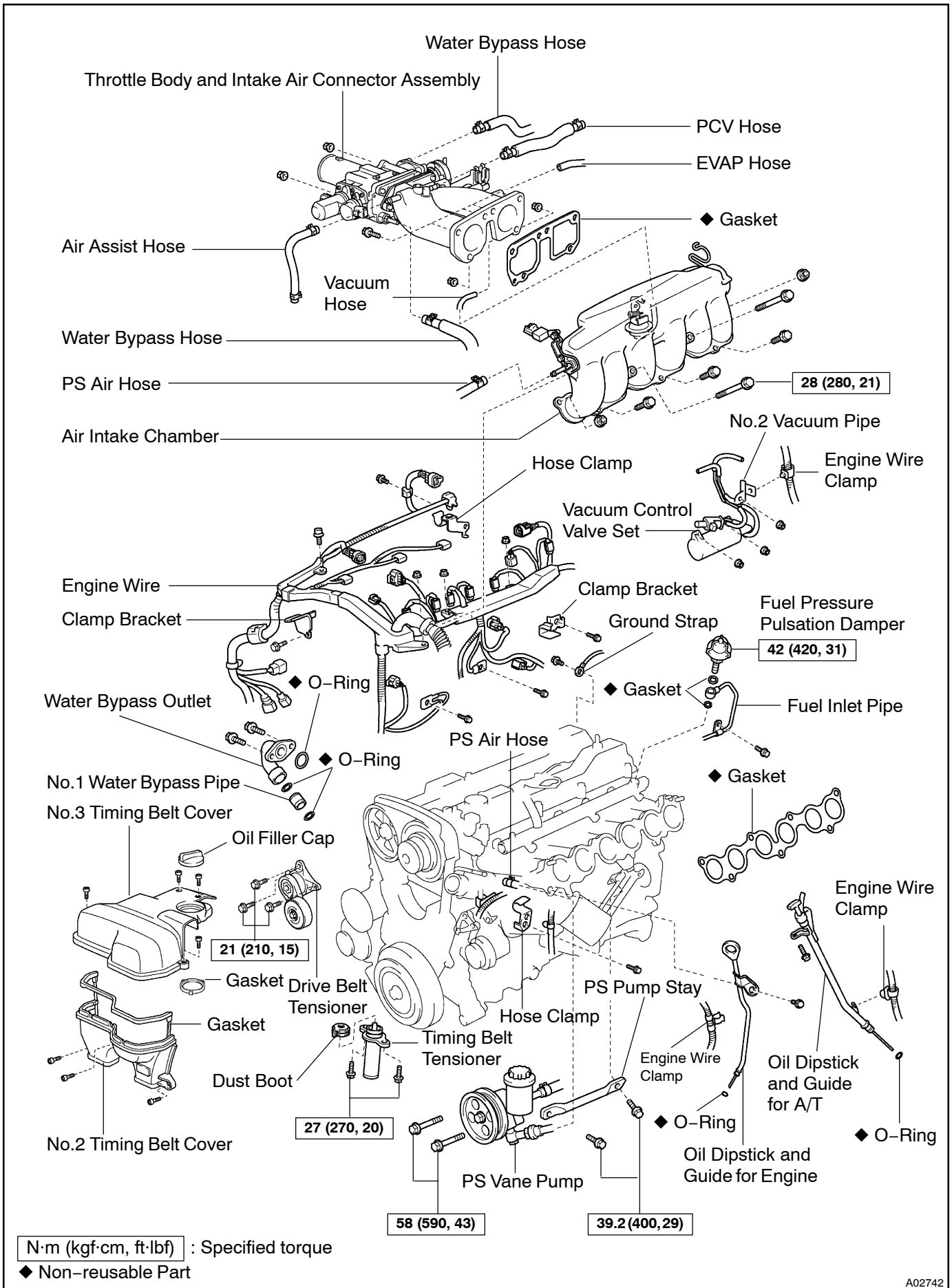


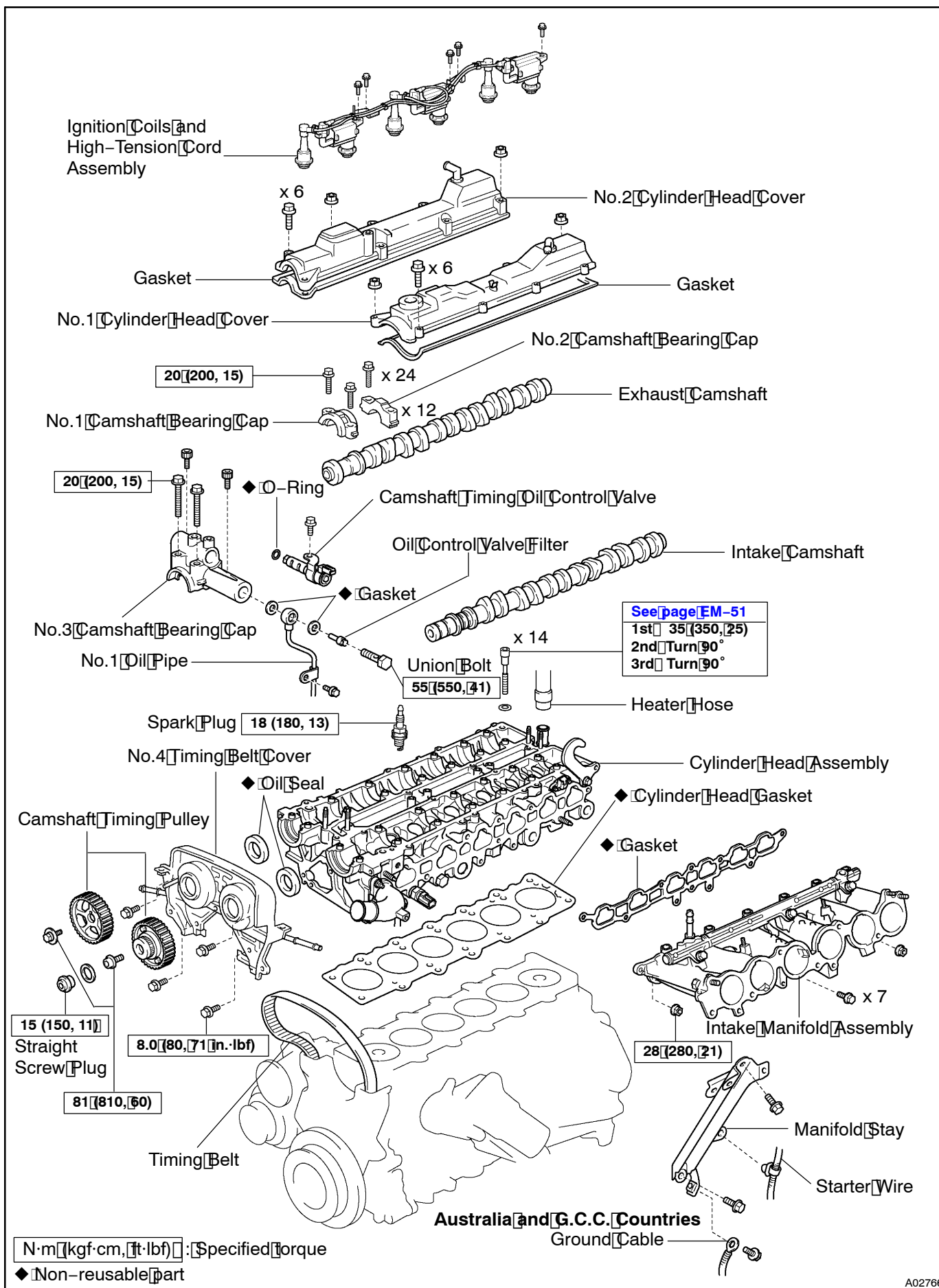
CYLINDER HEAD COMPONENTS

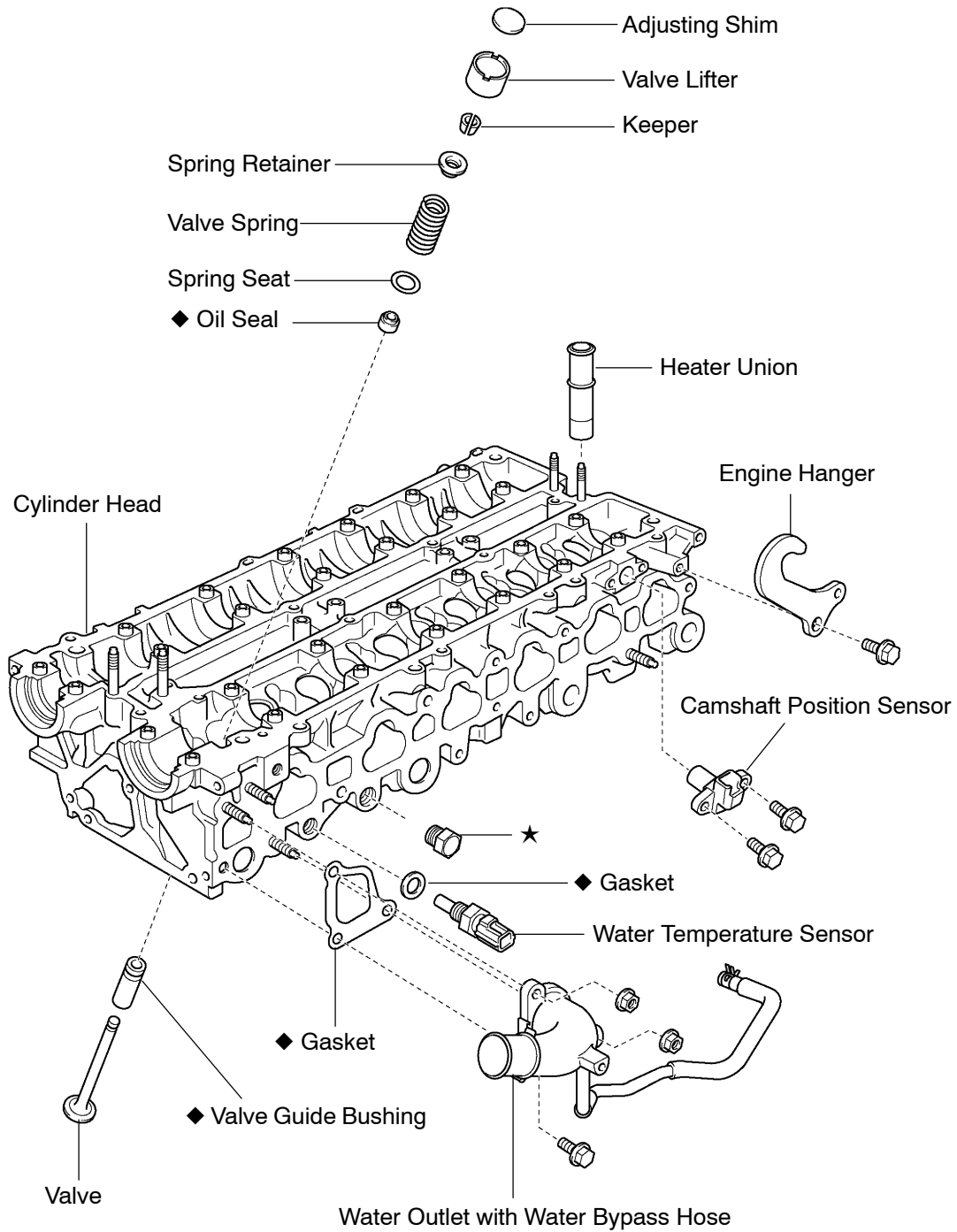
EM09-02



A02782







◆ Non-reusable part
 ★ Precoated part