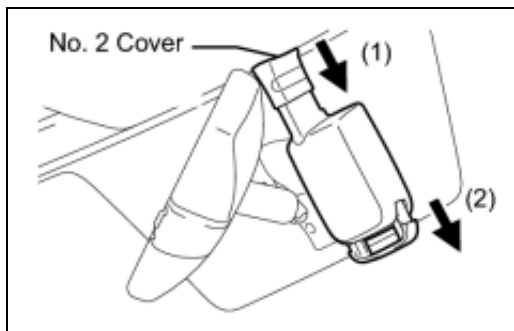


Last Modified: 11-27-2007		1.6 A
Service Category: Vehicle Exterior		Section: Wiper/Washer
Model Year: 2008	Model: LX570	Doc ID: RM000003CEV002X
Title: WIPER / WASHER: RAIN SENSOR: REMOVAL (2008 LX570)		

REMOVAL

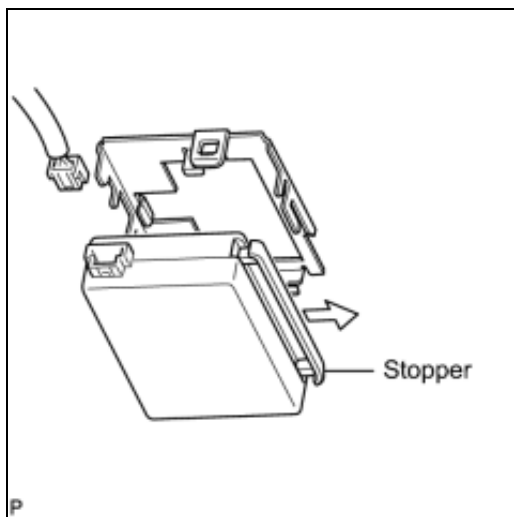
1. REMOVE RAIN SENSOR COVER



(a) Slide the No. 2 cover in the direction of the arrow labeled (1).

(b) Pull the stopper in the direction of the arrow labeled (2) to remove the rain sensor cover.

2. REMOVE RAIN SENSOR



(a) Release the stopper by pulling it in the direction of the arrow, and separate the rain sensor.

(b) Disconnect the connector and remove the rain sensor:

(c) When replacing the rain sensor tape.

(1) Remove the rain sensor tape.

