

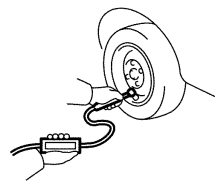
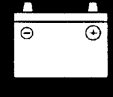
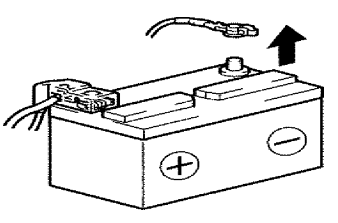
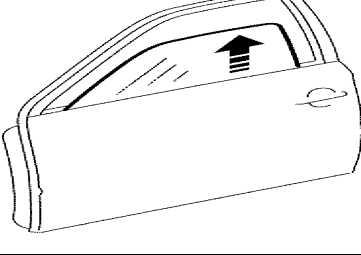
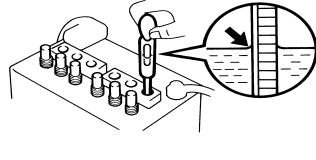
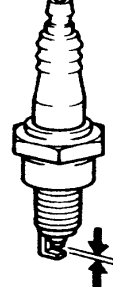
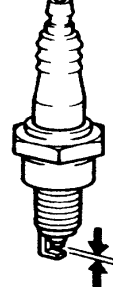
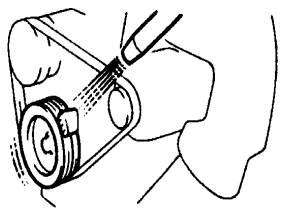
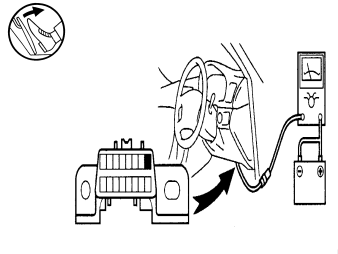
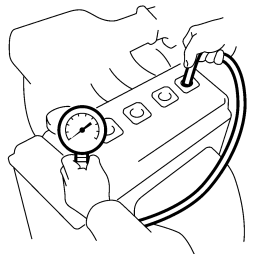
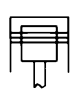
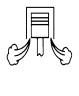
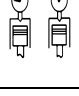
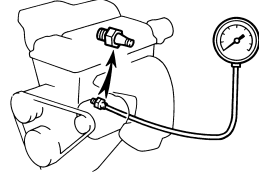



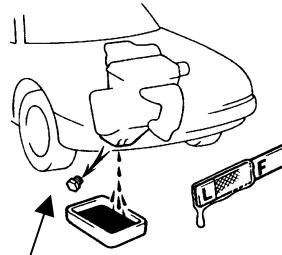
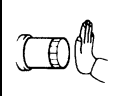
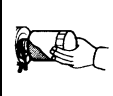
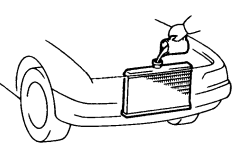


	A	173.1 to 183.1 (6.815 to 7.209)	164.2 to 174.2 (6.465 to 6.858)	
	B	5.0 to 15.0 (0.197 to 0.591)		
	C	↑ 25 (0.98)		
mm (in.)		SAE J1703 or FMVSS No. 116 DOT3		
	A		151.8 to 161.8 (5.976 to 6.370)	147.0 to 157.0 (5.787 to 6.181)
			146.6 to 156.6 (5.772 to 6.165)	154.0 to 164.0 (6.063 to 6.457)
	B	1.0 to 2.0 (0.039 to 0.079)		
	C		↑ 108.0 (4.25)	↑ 104.0 (4.09)
			↑ 104.0 (4.09)	↑ 110.0 (4.33)
	mm (in.)		SAE J1703 or FMVSS No. 116 DOT3	
	300 N (31 kgf, 67.5 lbf)	7 to 9		
	200 N (20 kgf, 45 lbf)	4 to 6		
	mm (in.)	A	↑ 1.0 (0.039)	
		B	↑ 25.0 (0.983) ↑ 8.5 (0.334)	
	mm (in.)	↑ 1.0 (0.039)		
	mm (in.)	↓ 191.0 (7.52)		
		GSE		
		Drain and refill 1.5 (1.6, 1.3)		
	liter (US qts, Imp.qts)	" ATF WS" or equivalent		
	N-m (kgf-cm, ft-lbf)	20 (204, 15)		

		Drain and refill 1.8 (1.9, 1.6)	
	liter (US qts, Imp.qts)	API GL-4 or GL-5 SAE 75W-90	
	N-m (kgf-cm, ft-lbf)	37 (377, 27)	
		GSE	
	N-m (kgf-cm, ft-lbf)	103 (1050, 76)	
		GSE	
	mm (in.)	↓ 30 (1.18)	
	A	-0°23' ± 45' (-0.38° ± 0.75°) ^{*1}	-1°14' ± 45' (-1.23° ± 0.75°) ^{*1, *4, *5}
		-0°36' ± 45' (-0.6° ± 0.75°) ^{*2}	-1°10' ± 45' (-1.02° ± 0.75°) ^{*1, *3}
		-1°14' ± 45' (-1.23° ± 0.75°) ^{*2}	
B	10°41' ± 45' (10.68° ± 0.75°) ^{*1}		
	10°55' ± 45' (10.92° ± 0.75°) ^{*2}		
C	8°07' ± 45' (8.12° ± 0.75°) ^{*1, *3}		
	8°11' ± 45' (8.18° ± 0.75°) ^{*1, *4}		
	8°04' ± 45' (8.07° ± 0.75°) ^{*1, *5}		
	8°04' ± 45' (8.07° ± 0.75°) ^{*2}		
D	41°34' ± 2° (41.57° ± 2°) ^{*1}		
	41°26' ± 2° (41.43° ± 2°) ^{*2}		
	H-I mm (in.)	1.0 ± 2 (0.04 ± 0.08)	3 ± 2 (0.12 ± 0.08)

*1 Normal Suspension. *2 Sports Suspension. *3 16 inch Wheel. *4 17 inch Wheel. *5 18 inch Wheel.

		km/h (mph)			
 kPa (kgf/cm ² or bar, psi)	Europe	205/55R16 89W	310 (3.1, 45) ^{*1} 290 (2.9, 42) ^{*2} 240 (2.4, 35) ^{*3}	330 (3.3, 48) ^{*1} 310 (3.1, 45) ^{*2} 260 (2.6, 38) ^{*3}	
		Front: 225/45R17 90W Rear: 245/45R17 95W	300 (3.0, 44) ^{*1} 280 (2.8, 41) ^{*2} 240 (2.4, 35) ^{*3}	320 (3.2, 46) ^{*1} 300 (3.0, 44) ^{*2} 260 (2.6, 38) ^{*3}	
		Front: 225/40R18 88Y Rear: 255/40R18 95Y	320 (3.2, 46) ^{*1} 300 (3.0, 44) ^{*2} 240 (2.4, 35) ^{*3}	340 (3.4, 49) ^{*1} 320 (3.2, 46) ^{*2} 260 (2.6, 38) ^{*3}	
	Australia	205/55R16 89W	310 (3.1, 45) ^{*4} 240 (2.4, 35) ^{*5}	330 (3.3, 48) ^{*4} 260 (2.6, 38) ^{*5}	
		Front: 225/45R17 90W Rear: 245/45R17 95W	300 (3.0, 44) ^{*4} 240 (2.4, 35) ^{*5}	320 (3.2, 46) ^{*4} 260 (2.6, 38) ^{*5}	
		Front: 225/40R18 88Y Rear: 255/40R18 95Y	320 (3.2, 46) ^{*4} 240 (2.4, 35) ^{*5}	340 (3.4, 49) ^{*4} 260 (2.6, 38) ^{*5}	
	GSE				
	*6, *7				
	20°C (68°F)		1.25 to 1.29		
	cm ³ or cu.in.		4GR-FSE 2500 (152.5)		
	DENSO		FK20HBR11		
	A mm (in.)		1.0 to 1.1 (0.039 to 0.043)		

	8 to 12° (DLC3 Terminals 13 (TC) - 4 (CG) Connected)	
BTDC		
	rpm 650 to 750	
		1400 (14.0, 199)
		980 (10.0, 142)
		100 (1.0, 15)
		80 (0.8, 11.6)
	6,000 rpm 	380 (3.9, 55.5)
	GSE	
		5.9 (6.2, 5.2)
		6.3 (6.7, 5.5)
A liter (US qts, Imp. qts)	SAE 5W-30 API grade SM "Energy-Conserving" or ILSAC ⁹ , multi grade engine oil	
N·m (kgf-cm, ft-lbf)	A	40 (408, 30)
	9.1 (9.6, 8.0)	
liter (US qts, Imp. qts)		

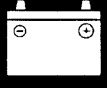
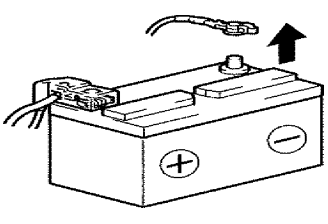
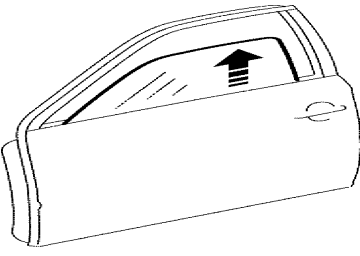
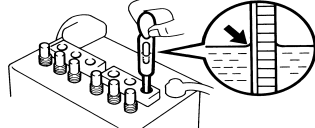
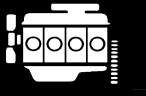
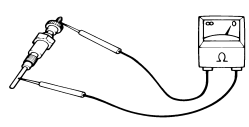
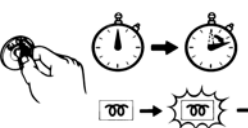
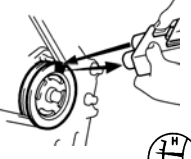
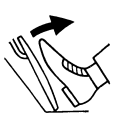


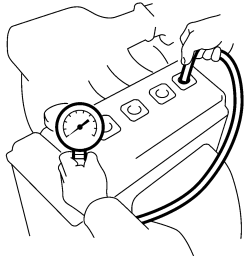
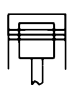
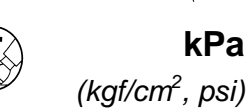


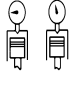
*1 More than 210 km/h (132 mph). *2 From 160 km/h (100 mph) to 210 km/h (132 mph). *3 160 km/h (100 mph) or less. *4 More than 140 km/h (87 mph).
*5 140 km/h (87 mph) or less. *6 Initialization required. Refer to the repair manual for the initialization procedures. *7 Parking Assist Monitor System.
*8 Power Window Control System. *9 ILSAC : International Lubricant Standardization and Approval Committee

 mm (in.)	A	173.1 to 183.1 (6.815 to 7.209)	164.2 to 174.2 (6.465 to 6.858)
	B	5.0 to 15.0 (0.197 to 0.591)	
	C	↑ 25 (0.98)	
		SAE J1703 or FMVSS No. 116 DOT3	
 mm (in.)	A	146.6 to 156.6 (5.772 to 6.165)	154.0 to 164.0 (6.063 to 6.457)
	B	1.0 to 2.0 (0.039 to 0.079)	
	C	↑ 103.0 (4.06)	↑ 108.0 (4.25)
		SAE J1703 or FMVSS No. 116 DOT3	
200 N (20 kgf, 45 lbf) 		4 to 6	
 mm (in.)	A	↑ 1.0 (0.039)	
	B	↑ 25.0 (0.983)	↑ 8.5 (0.334)
	mm (in.)	↑ 1.0 (0.039)	
	mm (in.)	↓ 191.0 (7.52)	
		 Drain and refill 1.8 (1.9, 1.6)	
		API GL-4 or GL-5 SAE 75W-90	
liter (US qts, Imp. qts) N·m (kgf-cm, ft-lbf)	A	37 (377, 27)	

		ALE	
 N·m (kgf-cm, ft-lbf)		103 (1050, 76)	
		mm (in.)	
		ALE	
		↓ 30 (1.18)	
 mm (in.)	A	-0°11' ± 45' (-0.18° ± 0.75°)	-0°50' ± 45' (-0.83° ± 0.75°)
	B	10°29' ± 45' (10.48° ± 0.75°)	-
	C	7°54' ± 45' (7.90° ± 0.75°) ^{*1} 7°45' ± 45' (7.75° ± 0.75°) ^{*2} 7°38' ± 45' (7.63° ± 0.75°) ^{*3}	-
	D	41°42' ± 2° (41.70° ± 2°)	-
 mm (in.)	H-I	1.0 ± 2 (0.04 ± 0.08)	3 ± 2 (0.12 ± 0.08)
	km/h (mph)		
 kPa (kgf/cm ² or bar, psi)	205/55R16 89W	310 (3.1, 45) ^{*4} 290 (2.9, 42) ^{*5} 240 (2.4, 35) ^{*6}	330 (3.3, 48) ^{*4} 310 (3.1, 45) ^{*5} 260 (2.6, 38) ^{*6}
	Front: 225/45R17 90W Rear: 245/45R17 95W	300 (3.0, 44) ^{*4} 280 (2.8, 41) ^{*5} 240 (2.4, 35) ^{*6}	320 (3.2, 46) ^{*4} 300 (3.0, 44) ^{*5} 260 (2.6, 38) ^{*6}
	Front: 225/40R18 88Y Rear: 255/40R18 95Y	320 (3.2, 46) ^{*4} 300 (3.0, 44) ^{*5} 240 (2.4, 35) ^{*6}	340 (3.4, 49) ^{*4} 320 (3.2, 46) ^{*5} 260 (2.6, 38) ^{*6}

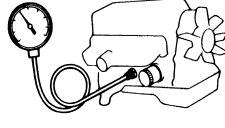

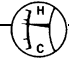

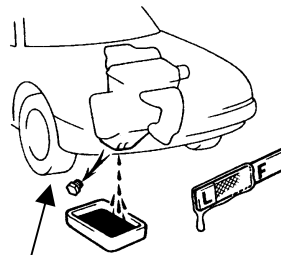
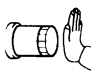

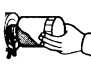
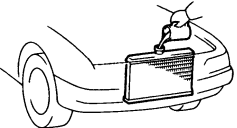
*¹ 16 inch Wheel. *² 17 inch Wheel. *³ 18 inch Wheel. *⁴ More than 210 km/h (132 mph). *⁵ From 160 km/h (100 mph) to 210 km/h (132 mph).

*⁶ 160 km/h (100 mph) or less.

		ALE
	*1, *2	 *3
	20°C (68°F)	1.25 to 1.29
		2AD-FHV
cm ³ or cu.in.		2231 (136.1)
	20°C (68°F)	0.95
ohm		
	28°C (82.4°F)	1.0
	secs	
		750 to 850
		5100 to 5250
		2700 (27.5, 320)
		2200 (22.5, 320)
		500 (5.0, 71)
	kPa (kgf/cm ² , psi)	

*1 Initialization required. Refer to the repair manual for the initialization procedures. *2 Parking Assist Monitor System.

*3 Power Window Control System.

		29 (0.3, 4.2)
kPa (kgf/cm ² , psi)	4,500 rpm	 245 (2.5, 36)
		ALE
		5.2 (5.5, 4.2)
		6.0 (6.3, 5.3)
A		G-DLD1 or API grade CF-4, CF (API CE or CD may also be used)
N·m (kgf-cm, ft-lbf)	A	38 (388, 28)
		8.9 (9.4, 7.8)
liter (US qts, Imp. qts)		