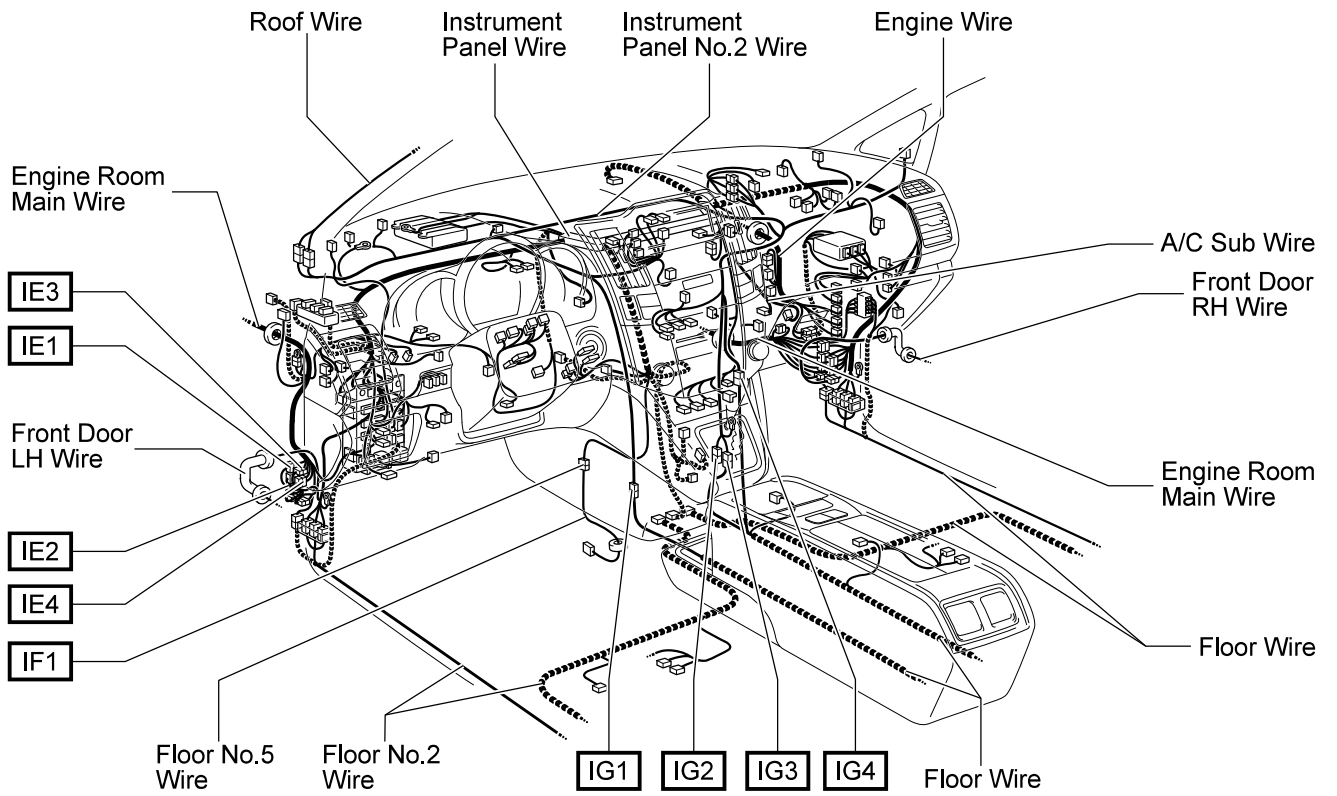
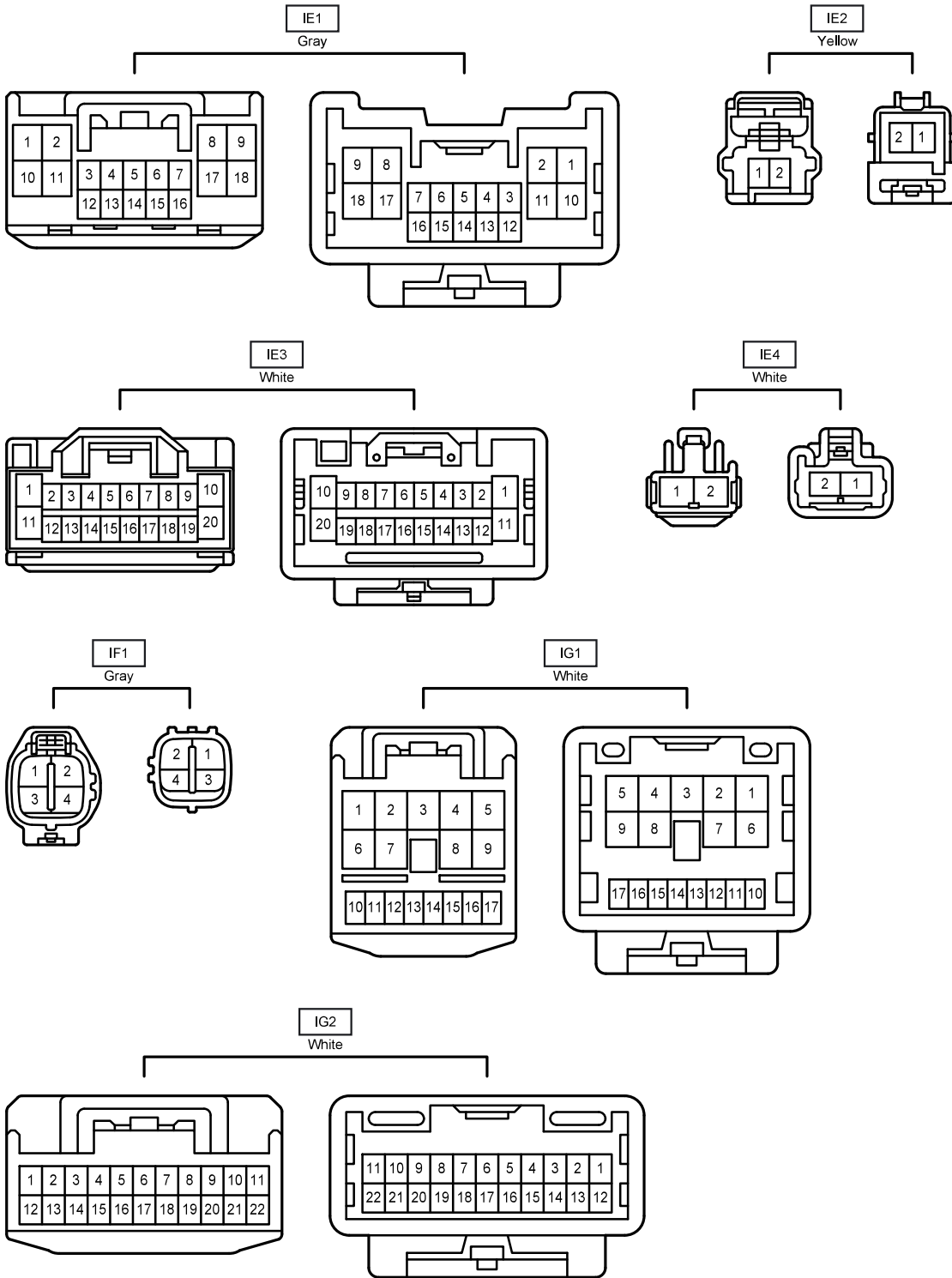


Wire and Wire in Instrument Panel <LHD>



Wire and Wire in Instrument Panel <LHD>



Wire and Wire in Instrument Panel <LHD>

