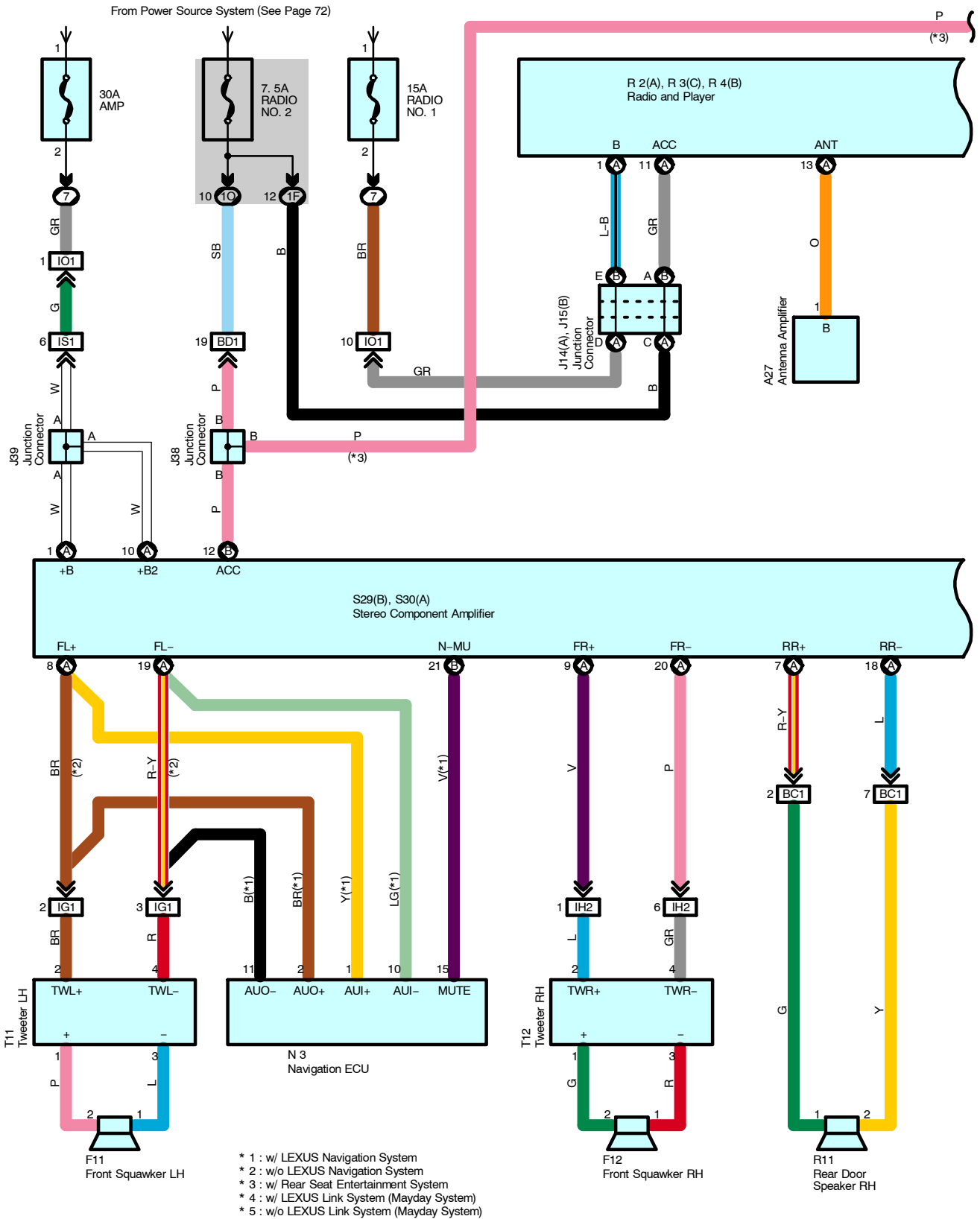
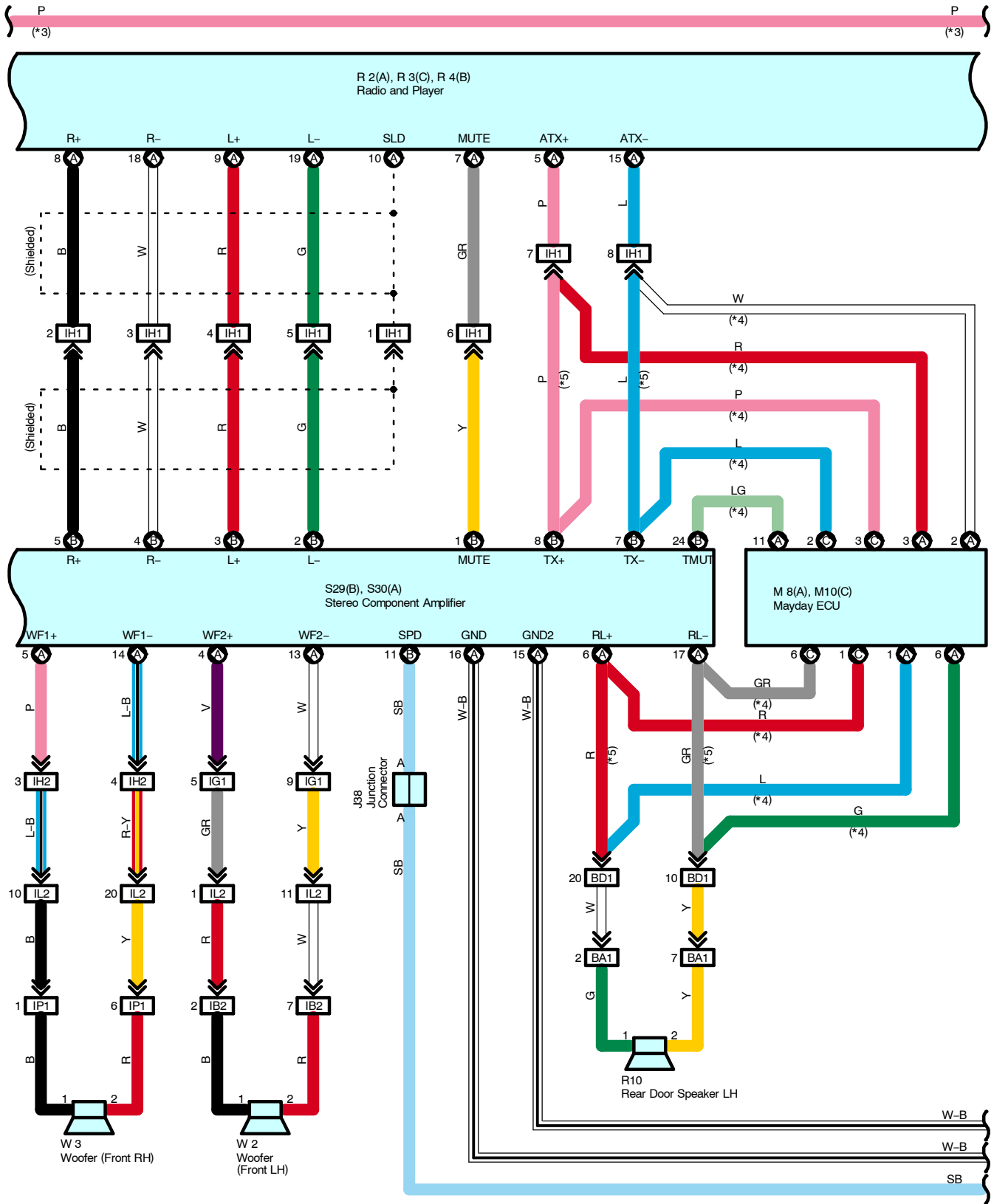
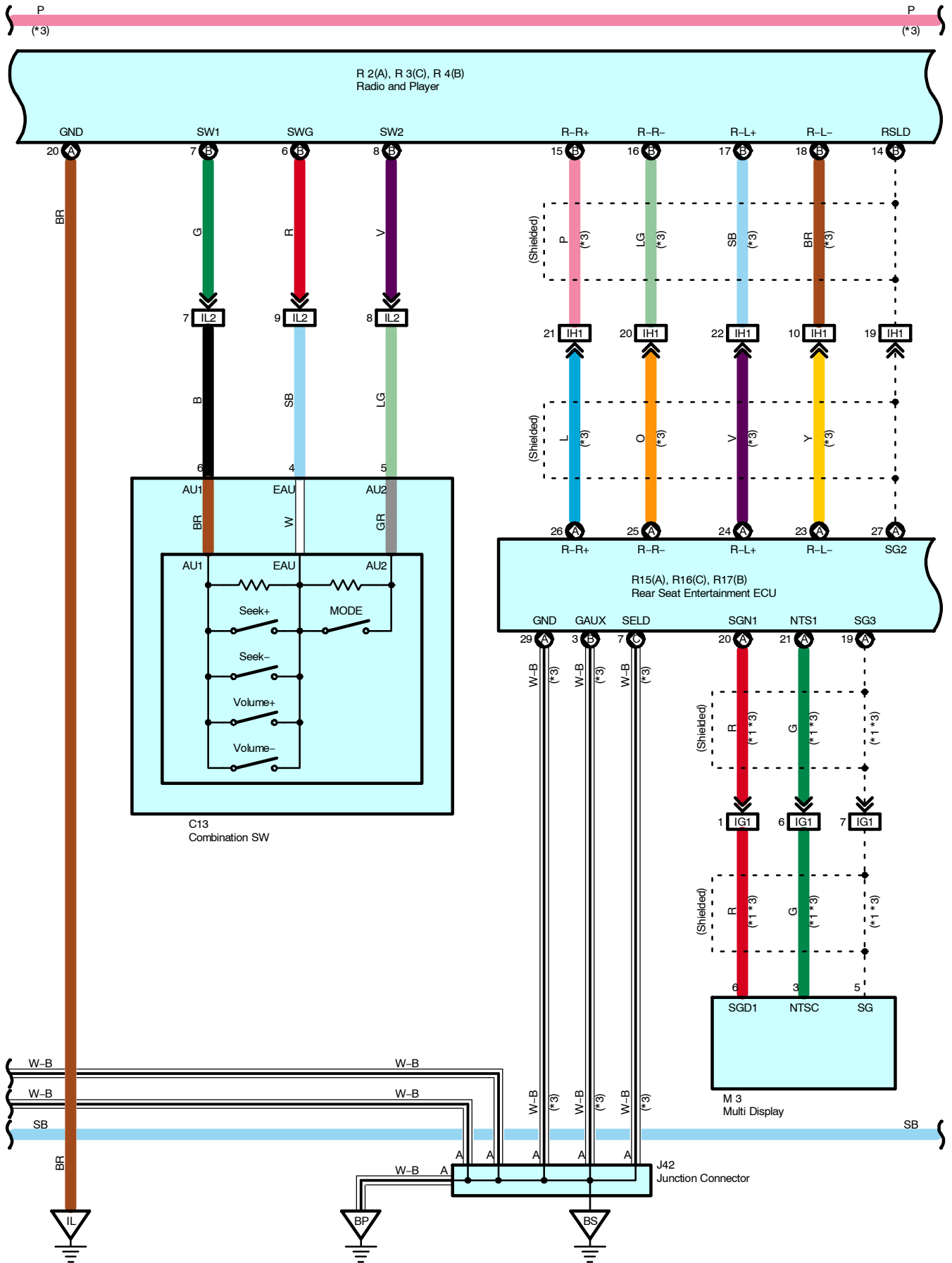


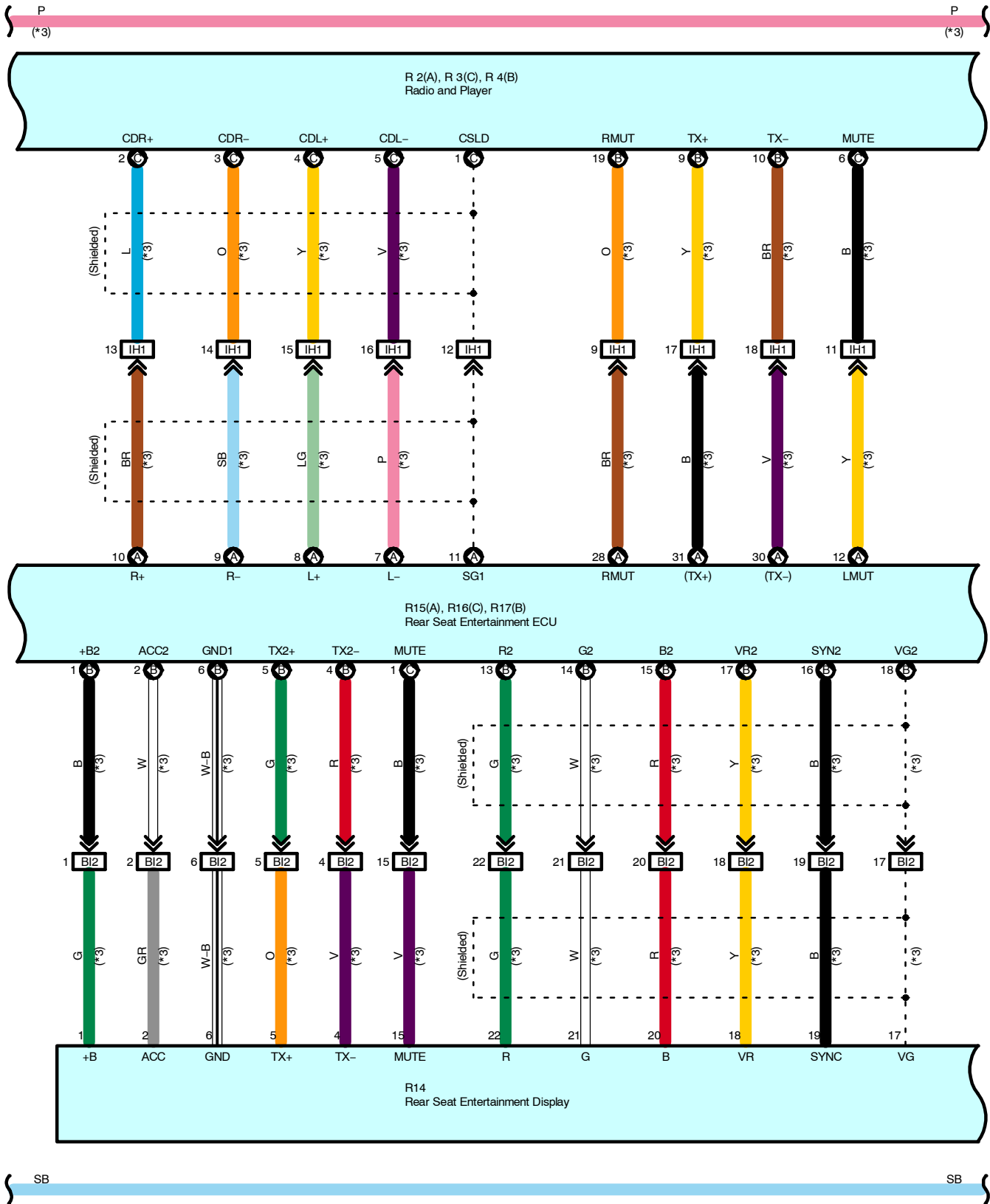
Audio System except MARK LEVINSON





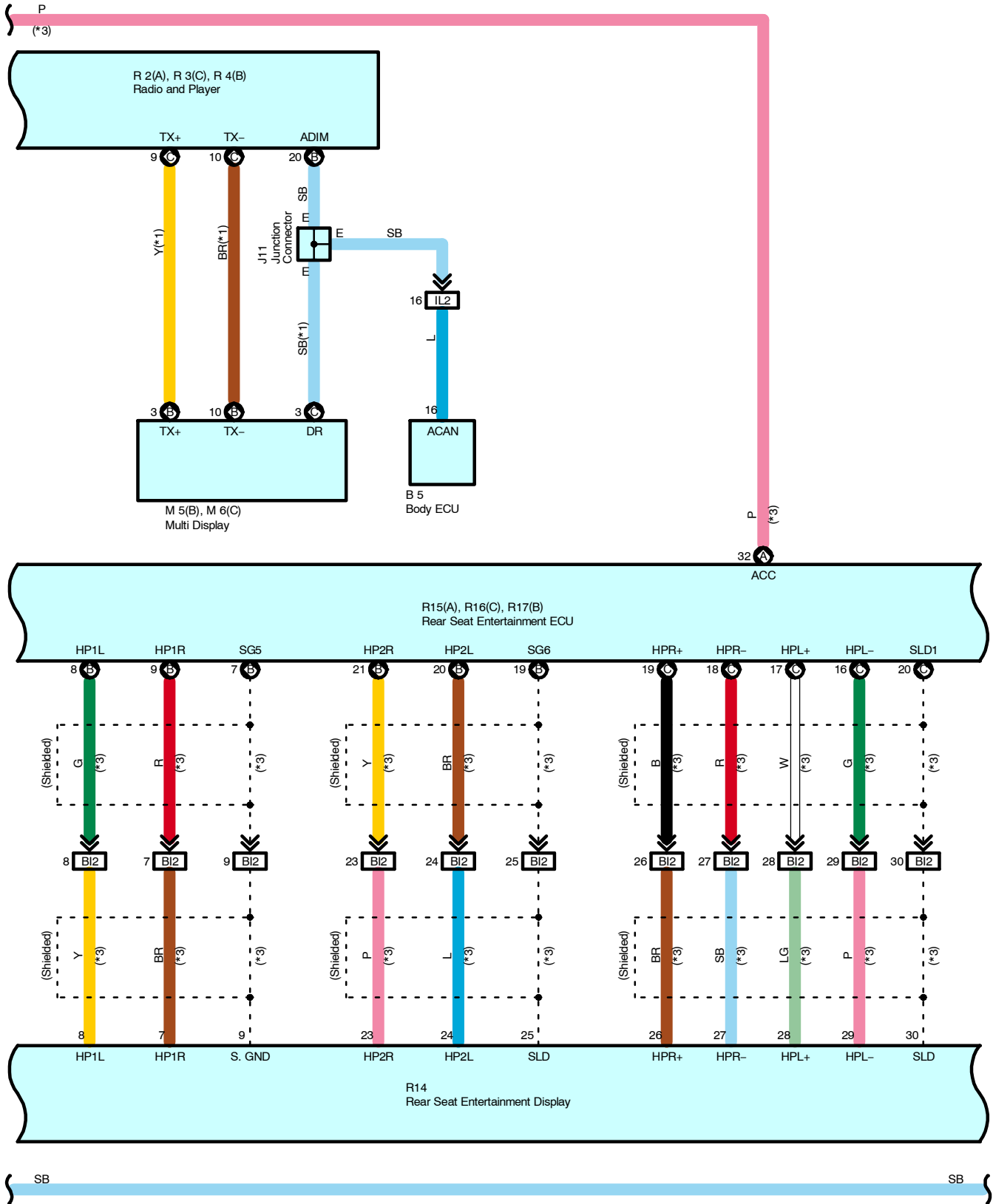
Audio System except MARK LEVINSON





* 1 : w/ LEXUS Navigation System
 * 3 : w/ Rear Seat Entertainment System

Audio System except MARK LEVINSON



Audio System except MARK LEVINSON

Service Hints

R2 (A) Radio and Player

- (A) 1–Ground : Always approx. 12 volts
- (A) 11–Ground : Approx. 12 volts with ignition SW at ON or ACC position
- (A) 20–Ground : Always continuity

S29 (B), S30 (A) Stereo Component Amplifier

- (A) 1, (A) 10–Ground : Always approx. 12 volts
- (B) 12–Ground : Approx. 12 volts with ignition SW at ON or ACC position
- (A) 15, (A) 16–Ground : Always continuity

R15 (A), R16 (C), R17 (B) Rear Seat Entertainment ECU

- (A) 32–Ground : Approx. 12 volts with ignition SW at ON or ACC position
- (A) 16–Ground : Always approx. 12 volts
- (A) 29, (B) 3, (C) 7–Ground : Always continuity

○ : Parts Location

Code	See Page	Code	See Page	Code	See Page
A27	46	J42	51	R14	52
B5	46	M3	48	R15	A 52
C8	A 47	M5	B 48	R16	C 52
C9	B 47	M6	C 48	R17	B 52
C13	47	M8	A 51	S1	45
F11	47	M10	C 51	S29	B 53
F12	47	N3	51	S30	A 53
J11	48	R2	A 49	T11	49
J14	A 48	R3	C 49	T12	49
J15	B 48	R4	B 49	V12	53
J38	51	R10	52	W2	53
J39	51	R11	52	W3	53

○ : Relay Blocks

Code	See Page	Relay Blocks (Relay Block Location)
7	22	Fusible Link Block (Engine Compartment Left)

○ : Junction Block and Wire Harness Connector

Code	See Page	Junction Block and Wire Harness (Connector Location)
1F	26	Instrument Panel Wire and Instrument Panel J/B (Lower Finish Panel)
1G	27	
1M	26	
1O	26	Floor No.2 Wire and Instrument Panel J/B (Lower Finish Panel)
3J	34	Instrument Panel Wire and J/B No.3 (Behind the Combination Meter)
3M		

 : Connector Joining Wire Harness and Wire Harness

Code	See Page	Joining Wire Harness and Wire Harness (Connector Location)
IB2	58	Front Door LH Wire and Instrument Panel Wire (Left Kick Panel)
IG1	60	Instrument Panel No.2 Wire and Floor Wire (Instrument Panel Brace LH)
IH1	60	Instrument Panel No.2 Wire and Floor Wire (Instrument Panel Brace RH)
IH2		
IL2	62	Instrument Panel Wire and Instrument Panel No.2 Wire (Above the Glove Box)
IO1	62	Engine Room Main Wire and Instrument Panel Wire (Right Kick Panel)
IP1	64	Front Door RH Wire and Instrument Panel Wire (Right Kick Panel)
IS1	64	Instrument Panel Wire and Floor Wire (Right Kick Panel)
IS2		
BA1	66	Rear Door No.2 Wire and Floor No.2 Wire (Under the Left Center Pillar)
BC1	66	Rear Door No.1 Wire and Floor Wire (Under the Right Center Pillar)
BD1	66	Floor No.2 Wire and Floor Wire (Left Rear Quarter Panel)
BI2	66	Roof No.2 Wire and Floor Wire (Right Rear Quarter Panel)

 : Ground Points

Code	See Page	Ground Points Location
IK	58	Behind the Combination Meter
IL	58	Instrument Panel Brace RH
BP	66	Under the Right Center Pillar
BS	66	Right Rear Quarter Panel