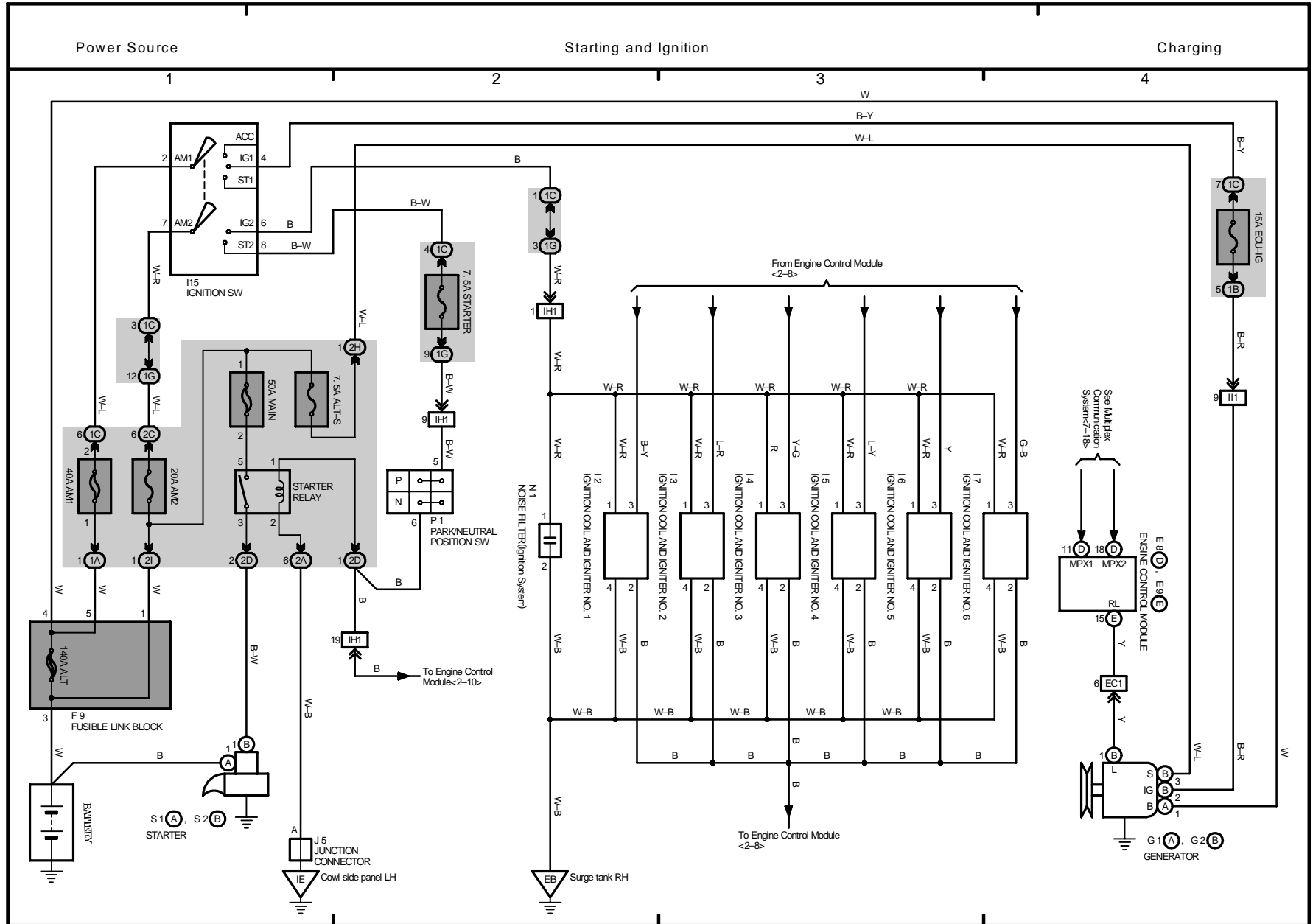


1 RX 300 ELECTRICAL WIRING DIAGRAM

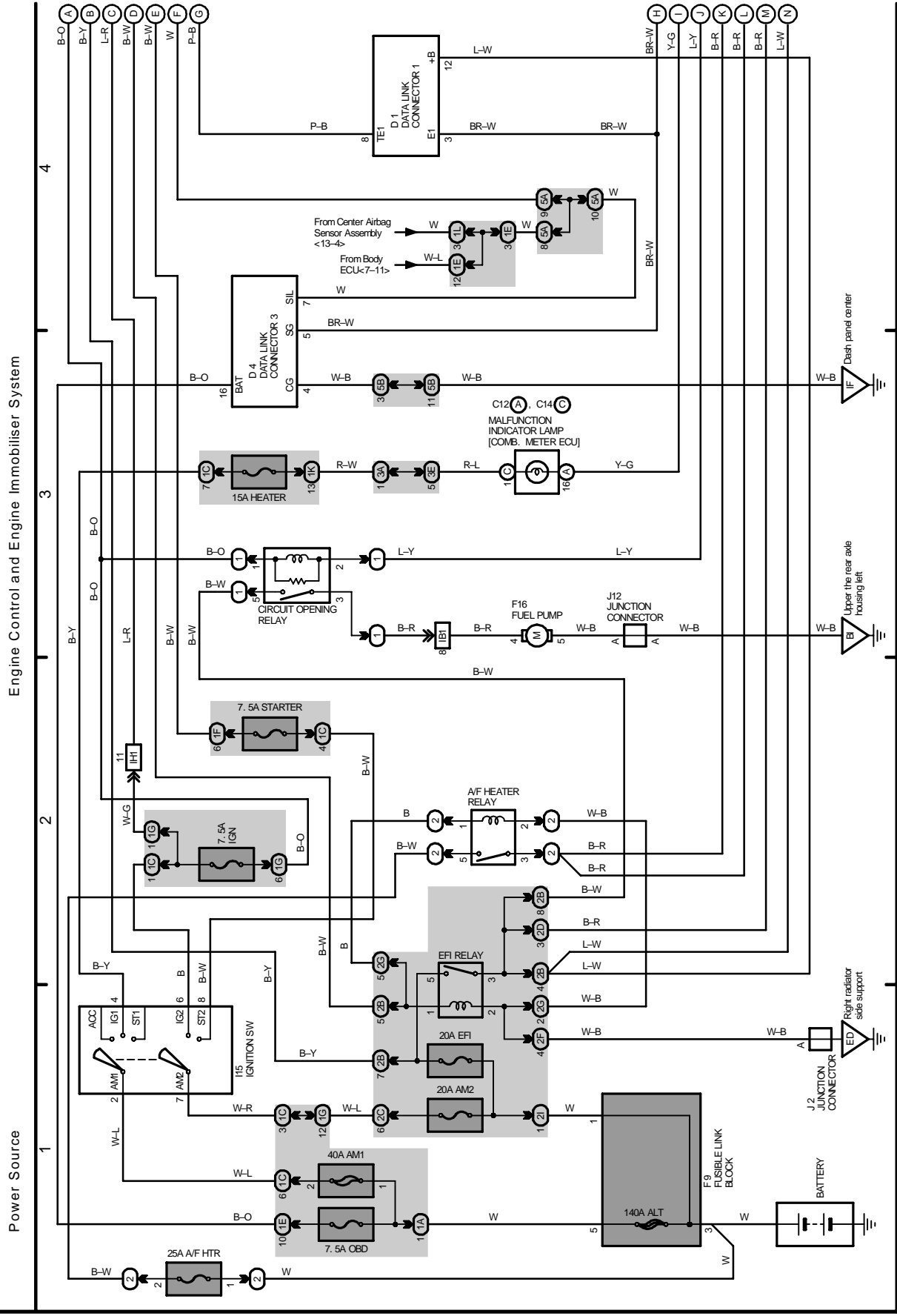
2000 LEXUS RX 300 (EWD395U)



# M OVERALL ELECTRICAL WIRING DIAGRAM

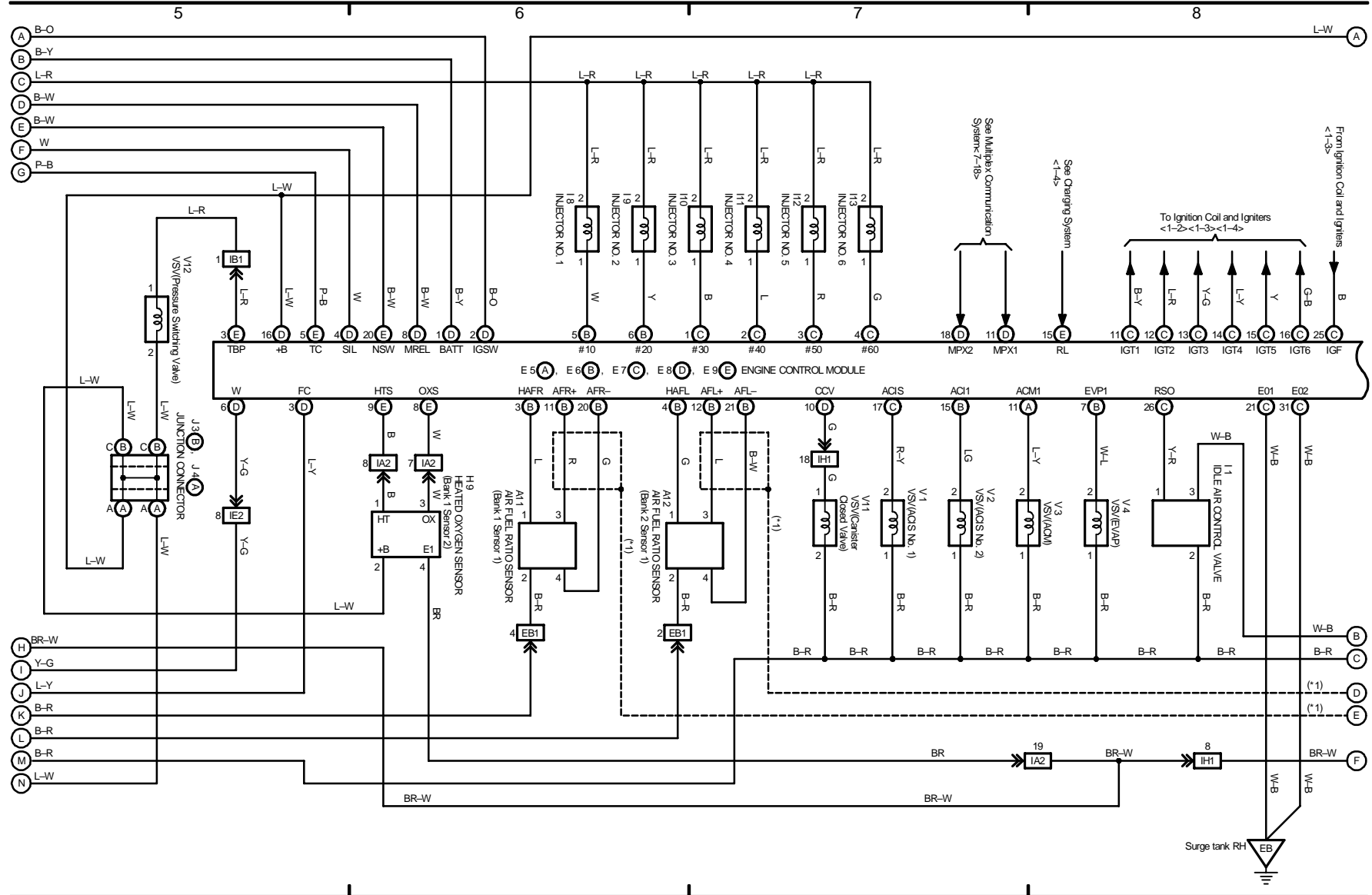
(Cont. next page)

2 RX 300



Engine Control and Engine Immobiliser System

\* 1 : Shielded



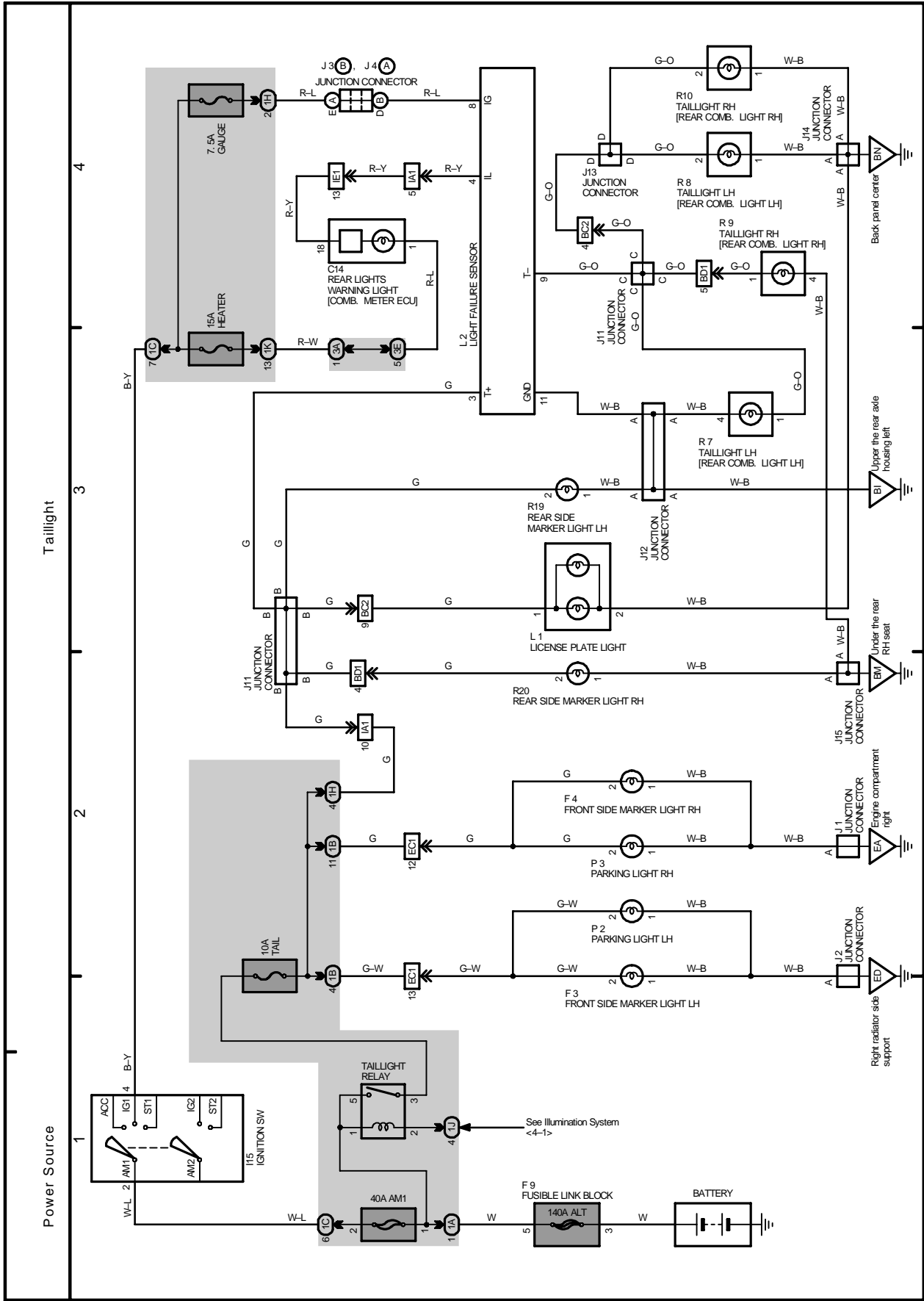
2000 LEXUS RX 300 (EWD395U)

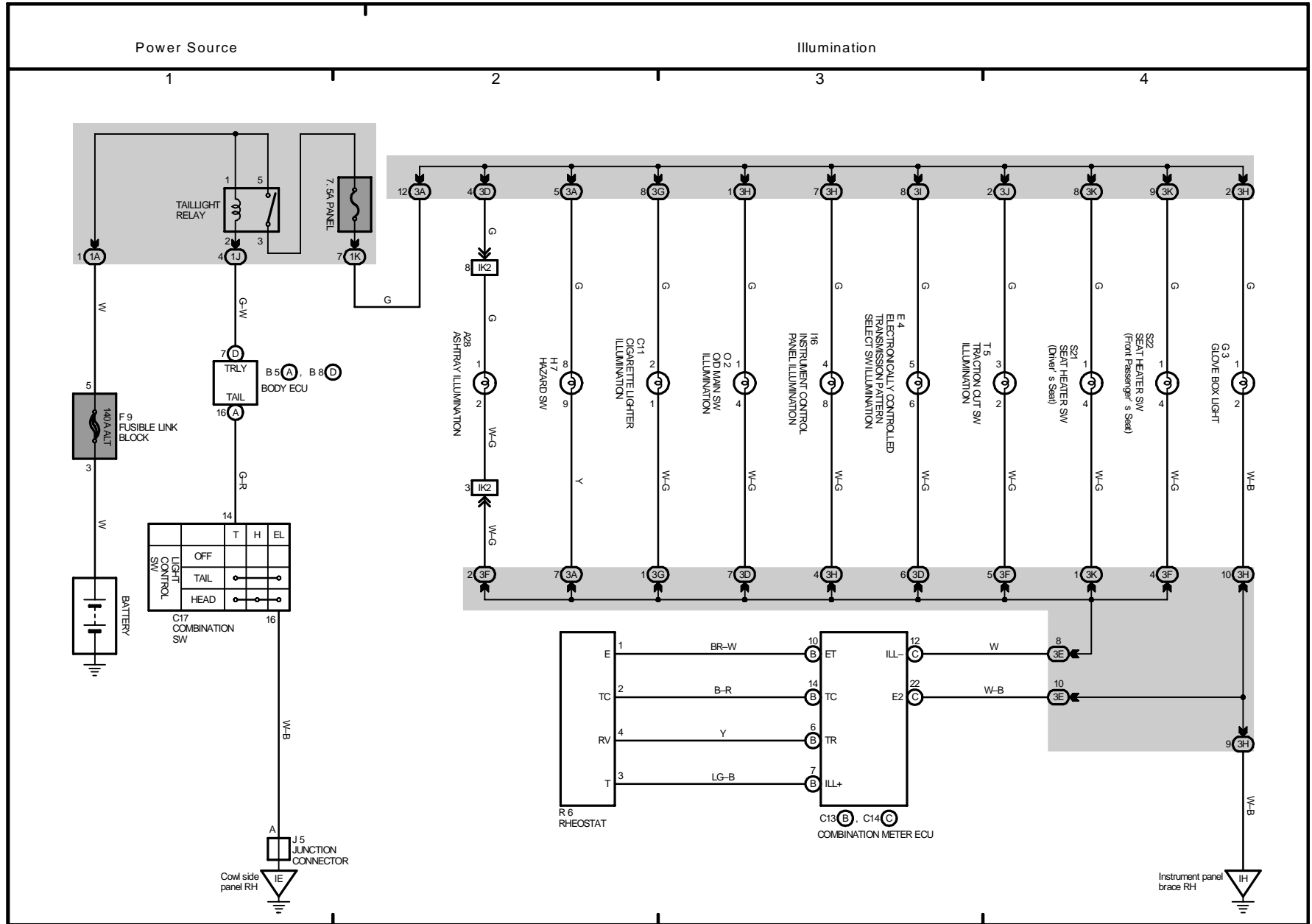




# M OVERALL ELECTRICAL WIRING DIAGRAM

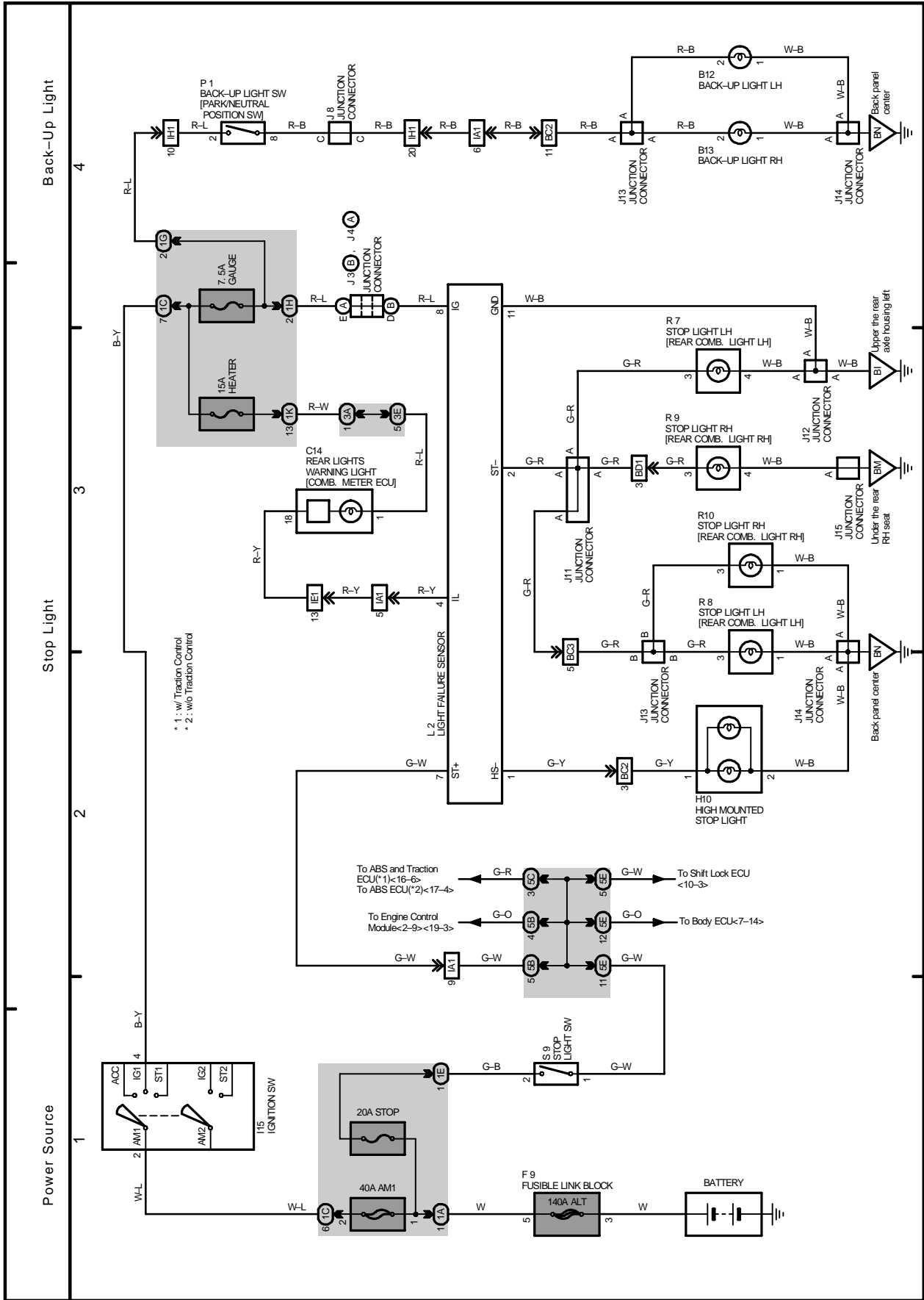
3 RX 300



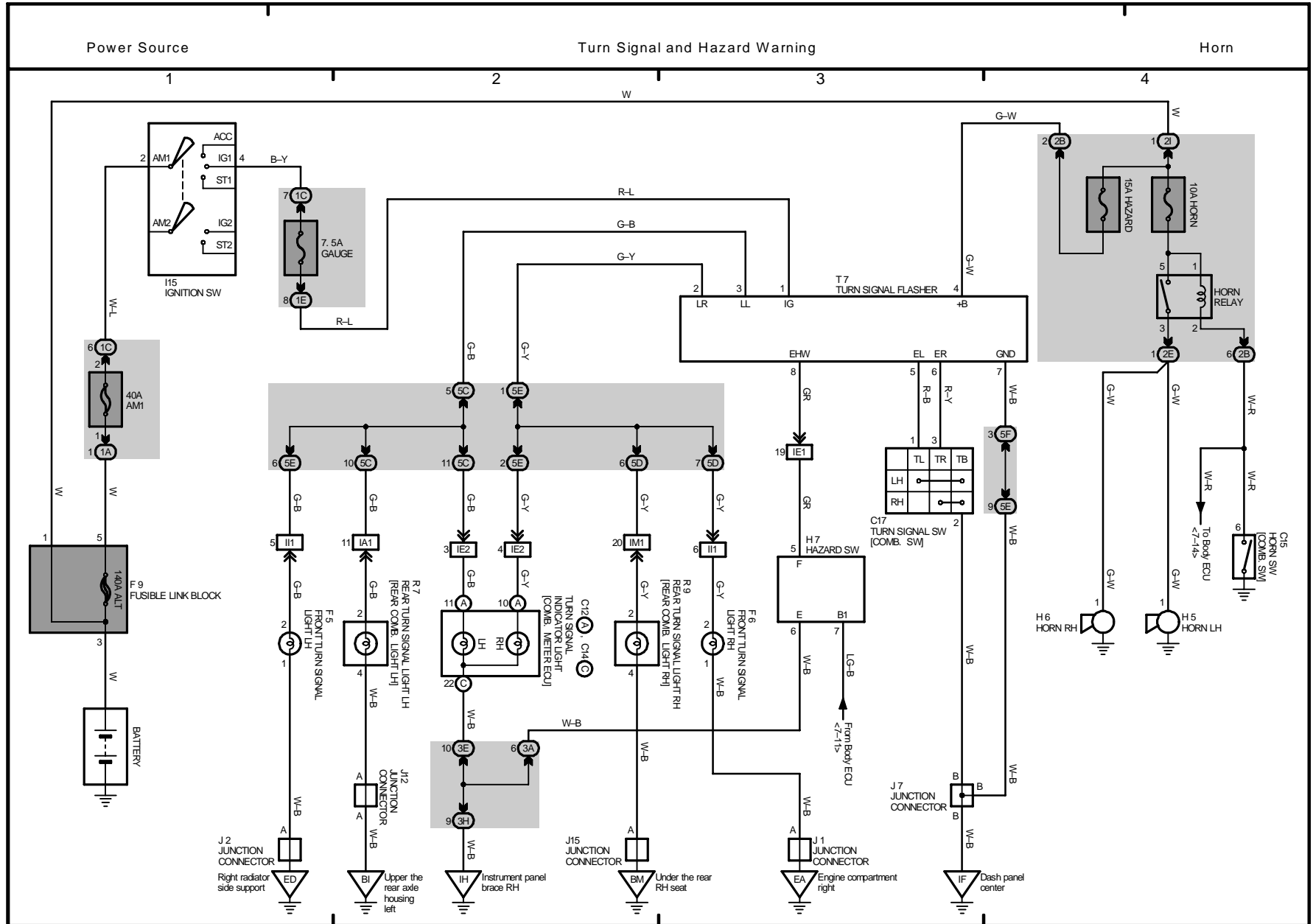


# M OVERALL ELECTRICAL WIRING DIAGRAM

5 RX 300



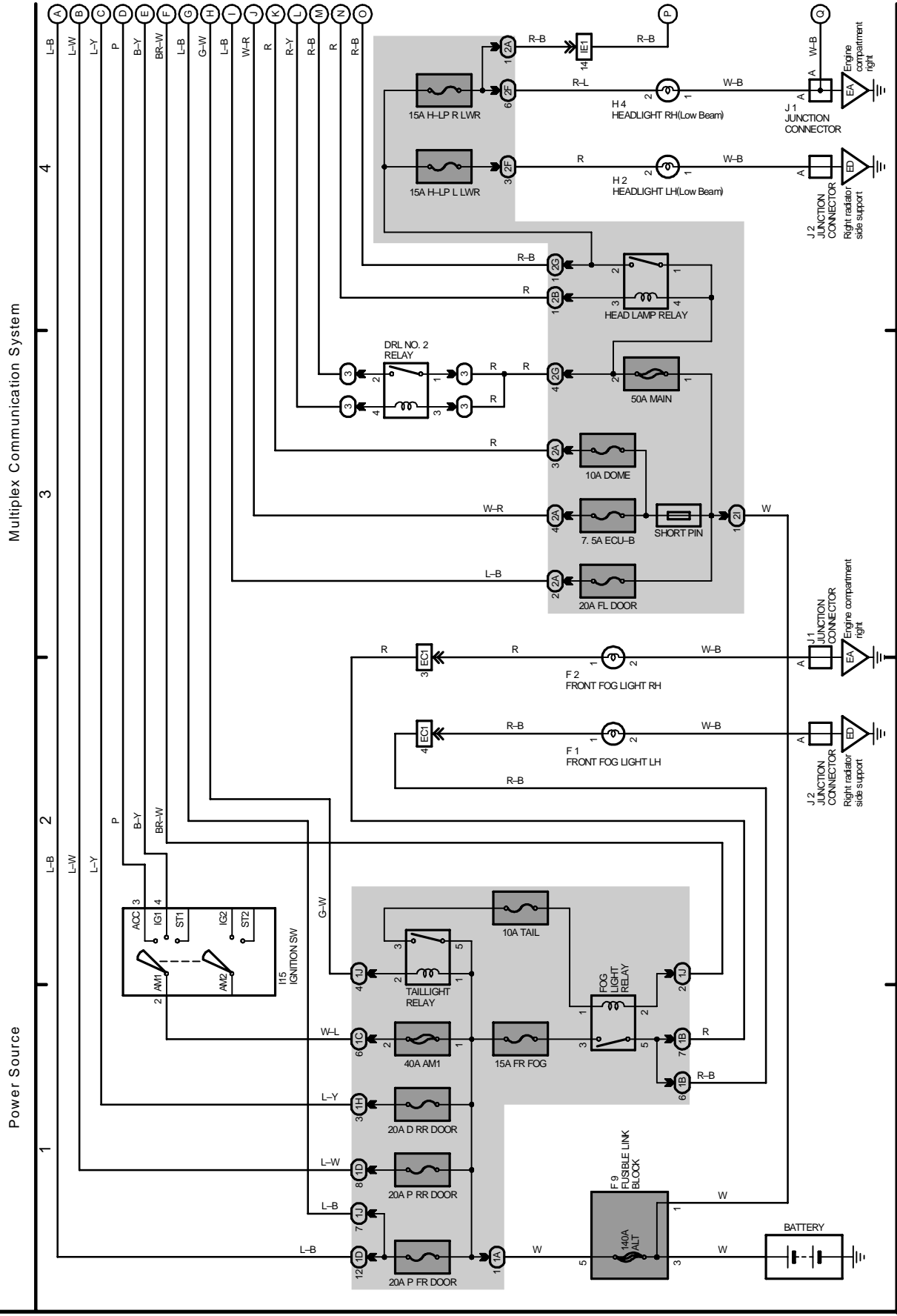




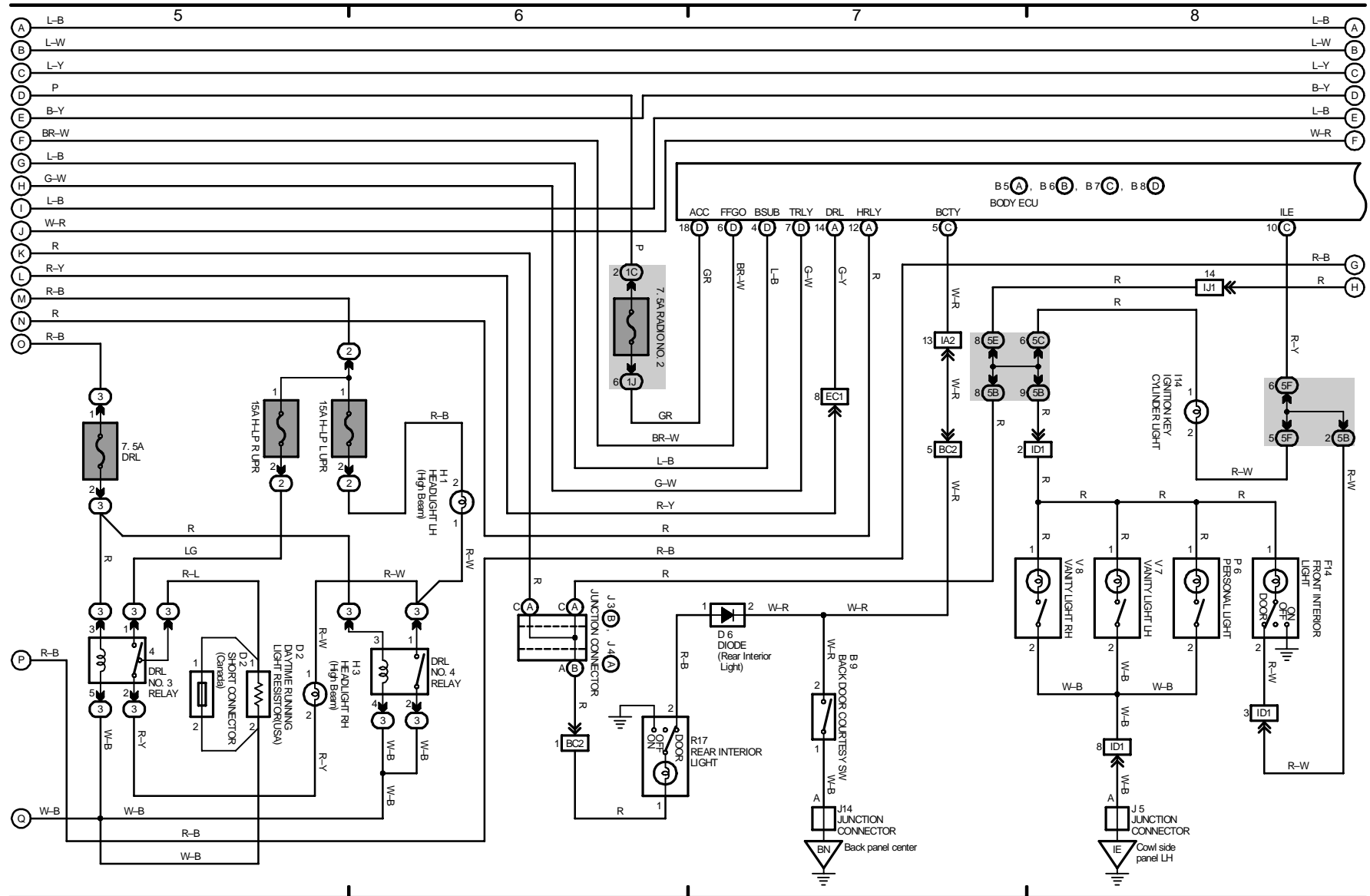
# M OVERALL ELECTRICAL WIRING DIAGRAM

(Cont. next page)

7 RX 300



Multiplex Communication System

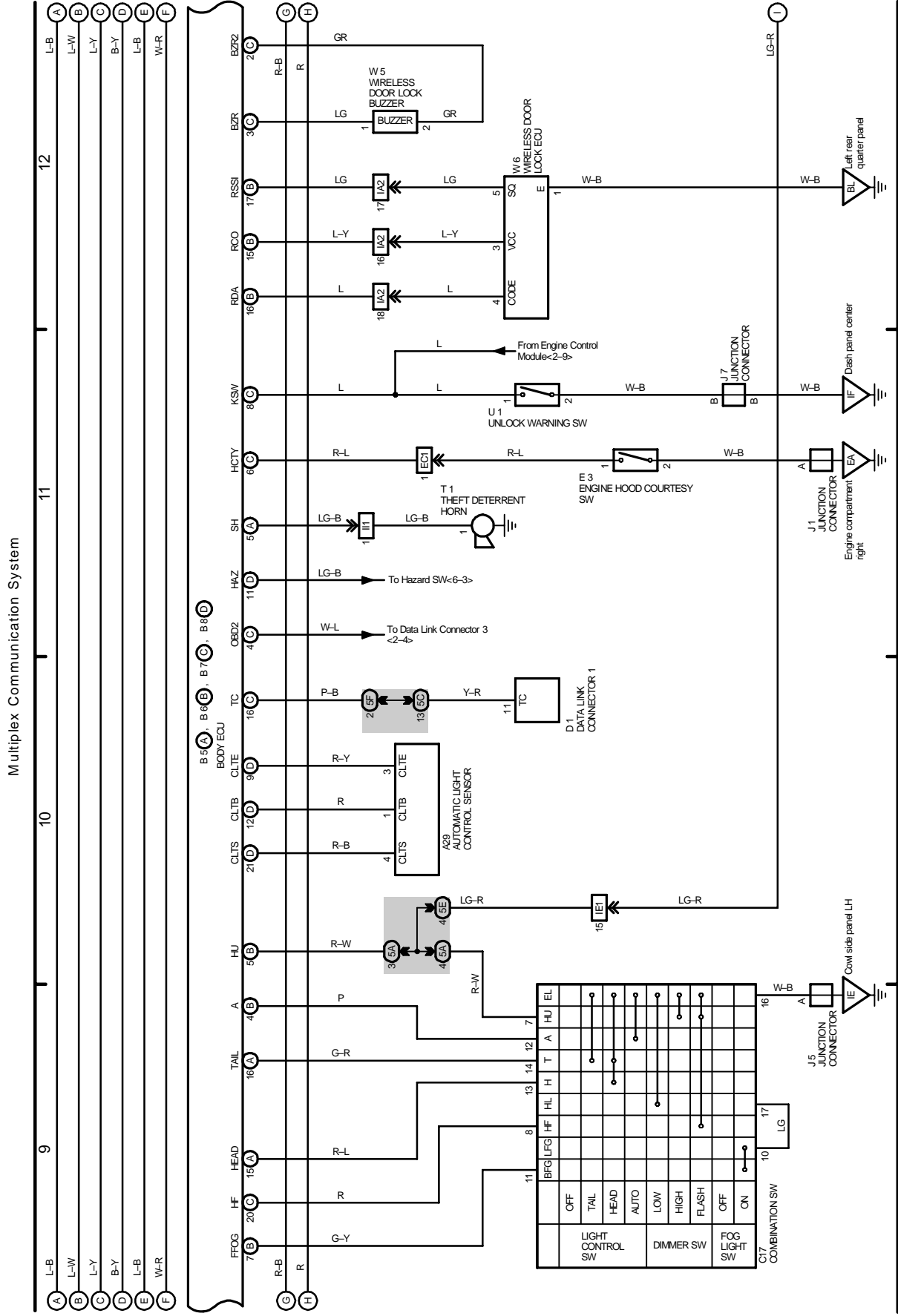


2000 LEXUS RX 300 (EWD395U)

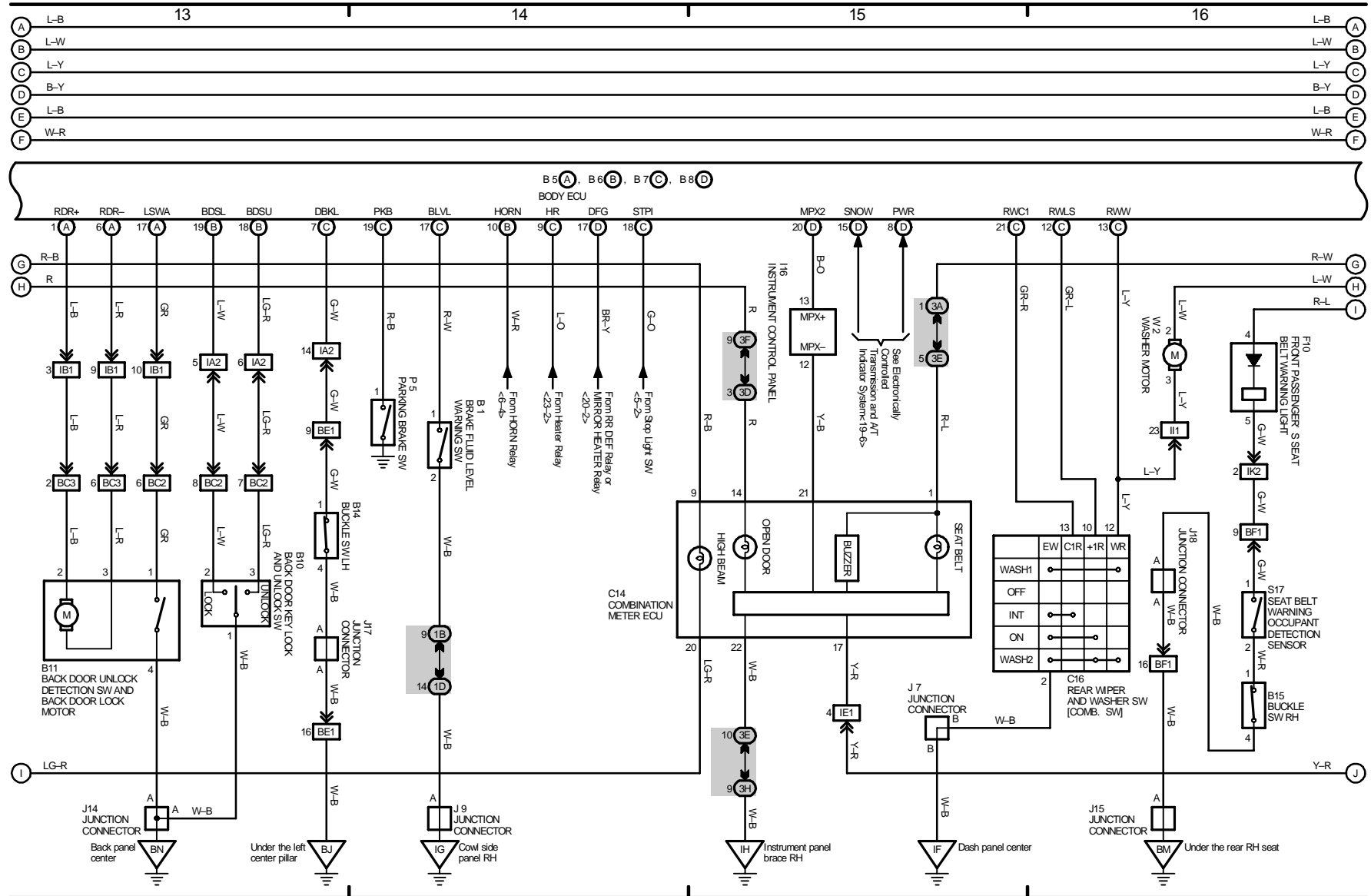
# M OVERALL ELECTRICAL WIRING DIAGRAM

7 RX 300 (Cont' d)

(Cont. next page)



Multiplex Communication System

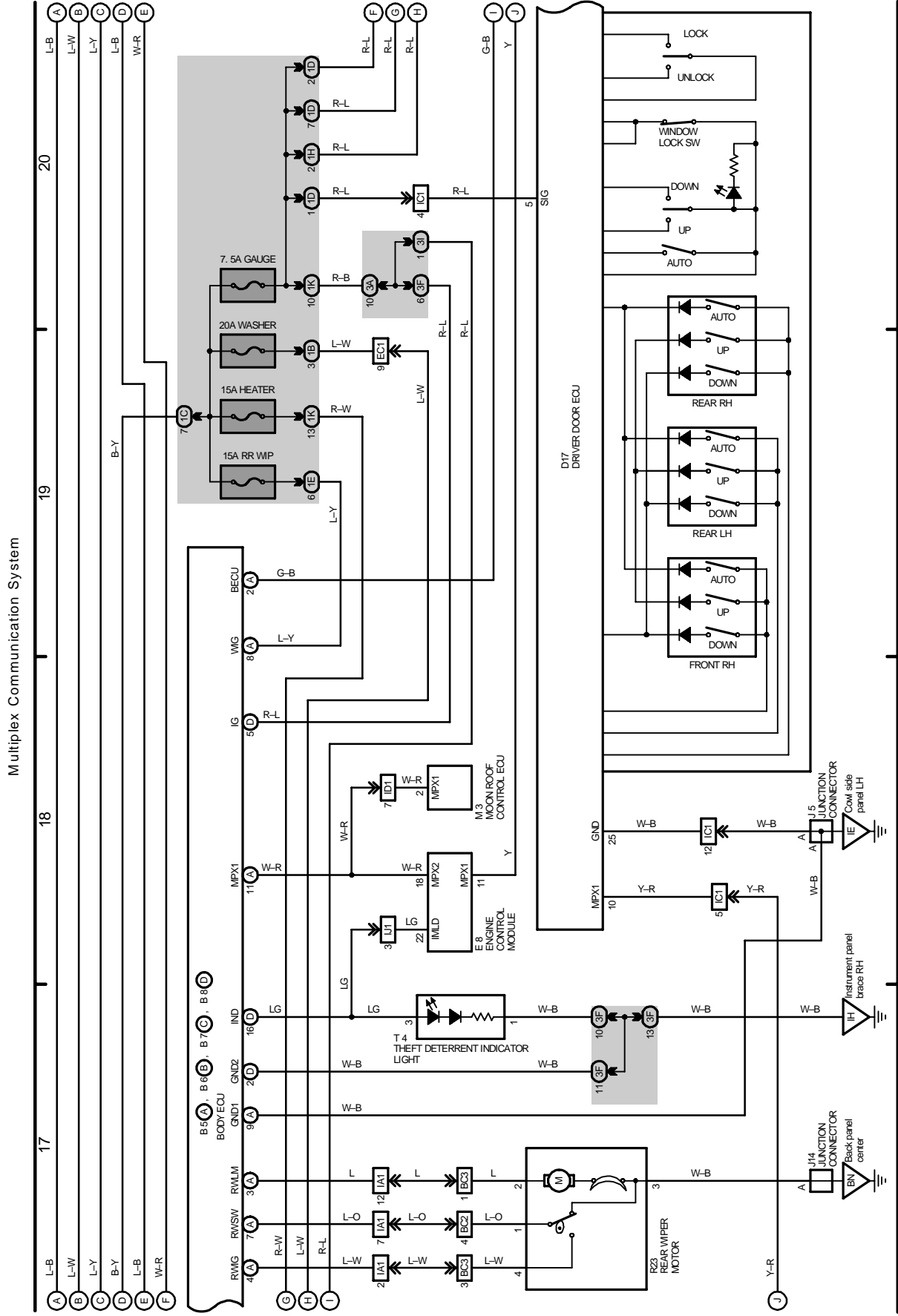


2000 LEXUS RX 300 (EWD395U)

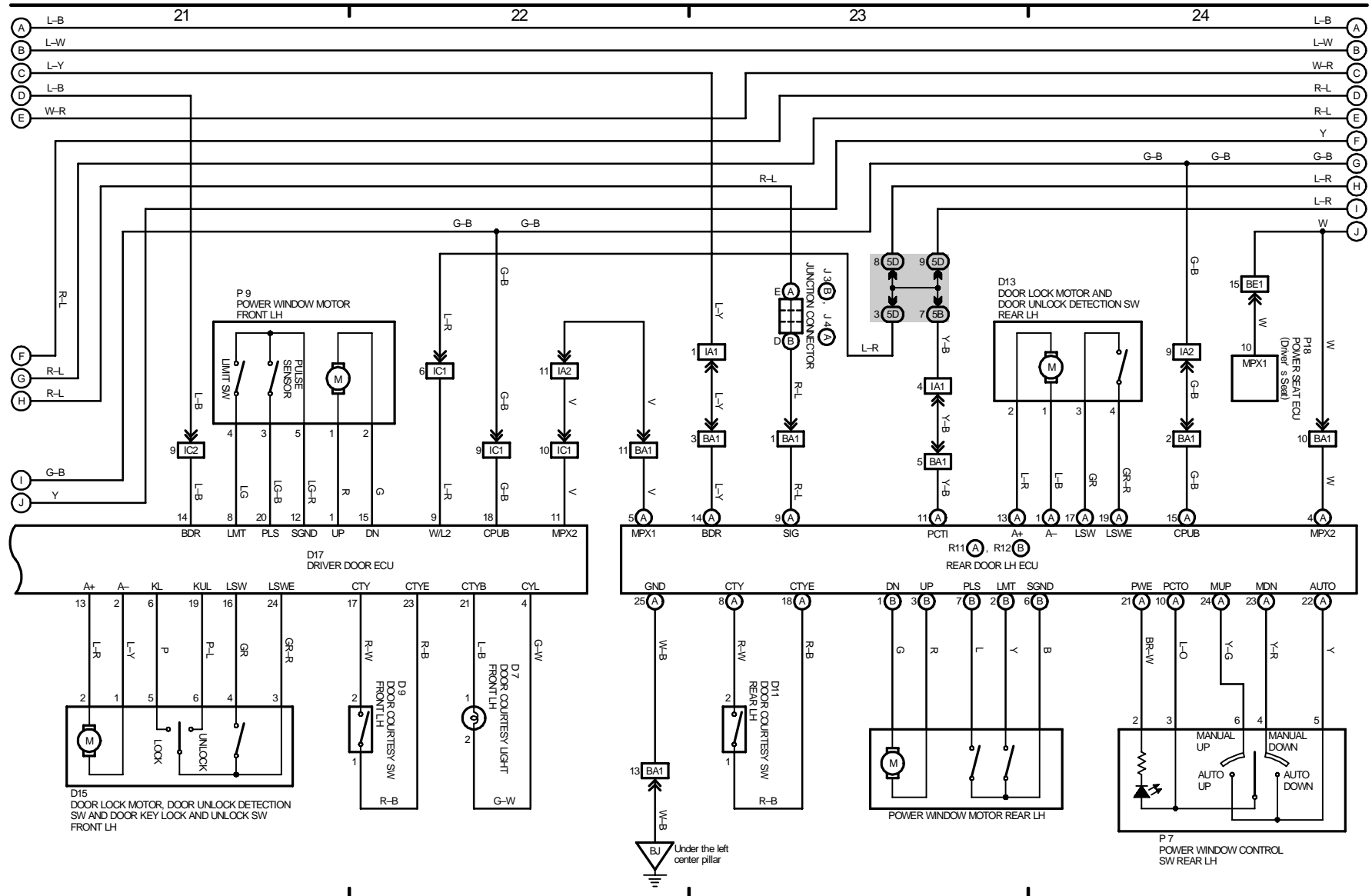
# M OVERALL ELECTRICAL WIRING DIAGRAM

7 RX 300 (Cont' d)

(Cont. next page)



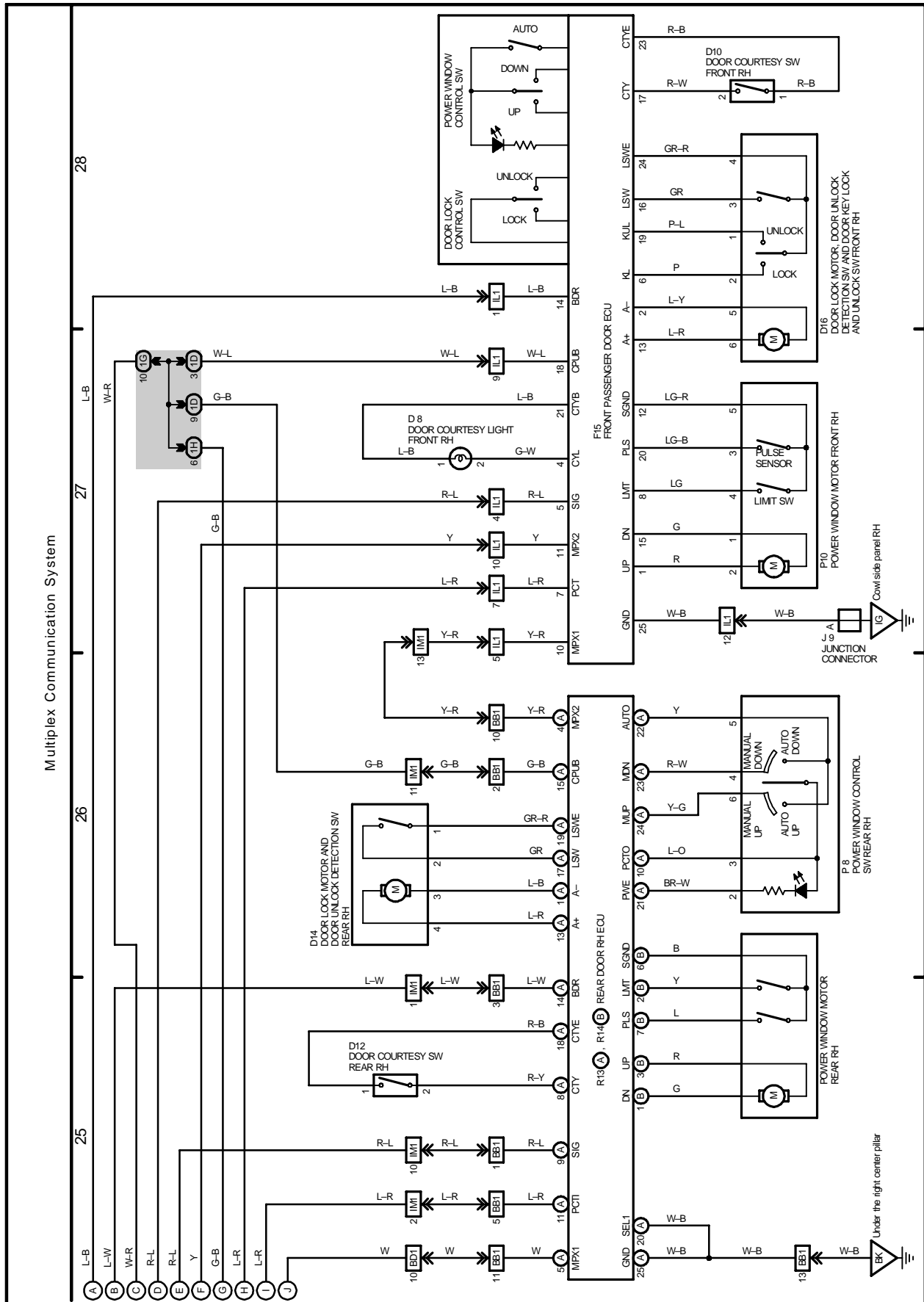
Multiplex Communication System



2000 LEXUS RX 300 (EWD395U)

# M OVERALL ELECTRICAL WIRING DIAGRAM

7 RX 300 (Cont' d)

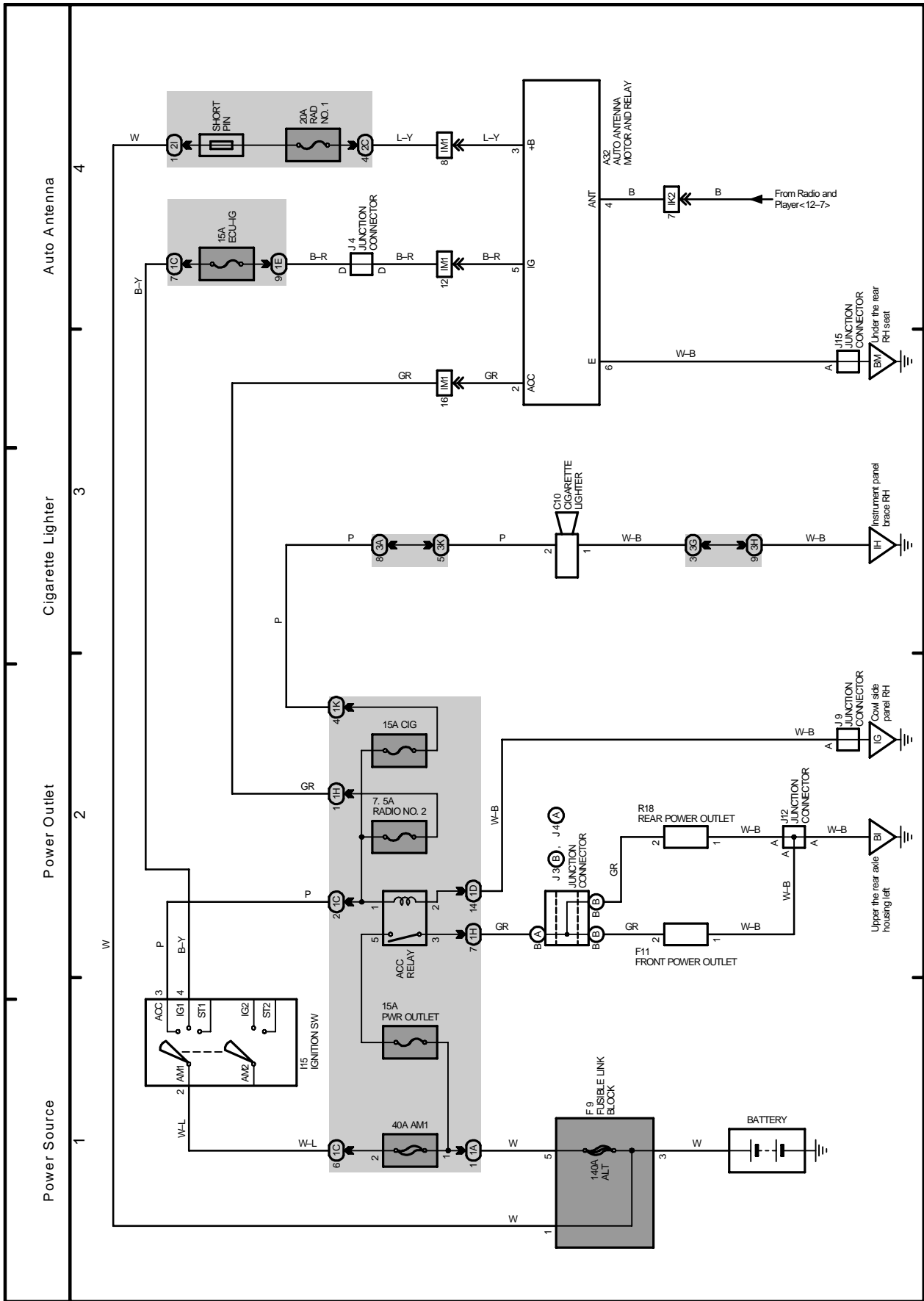


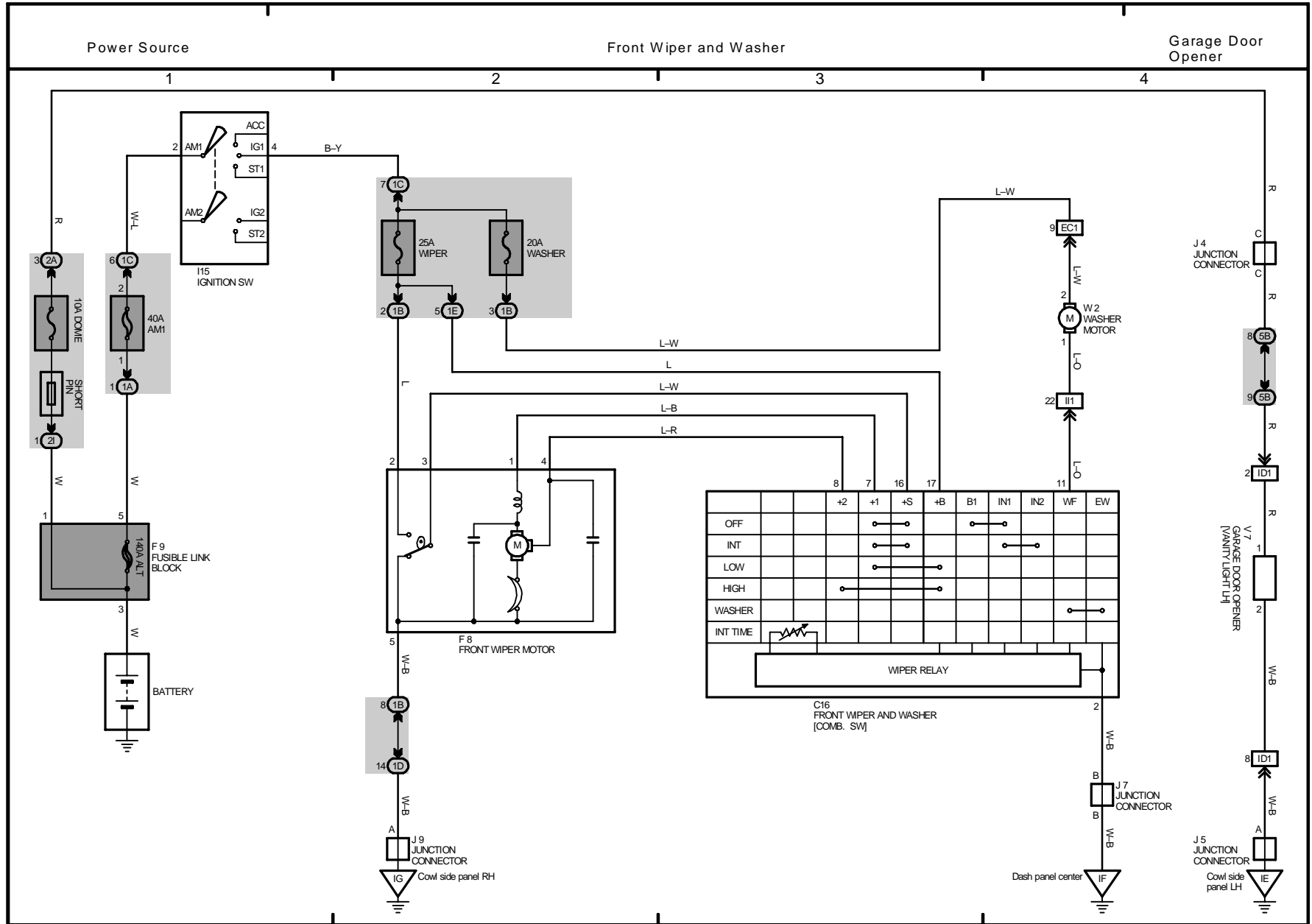




# M OVERALL ELECTRICAL WIRING DIAGRAM

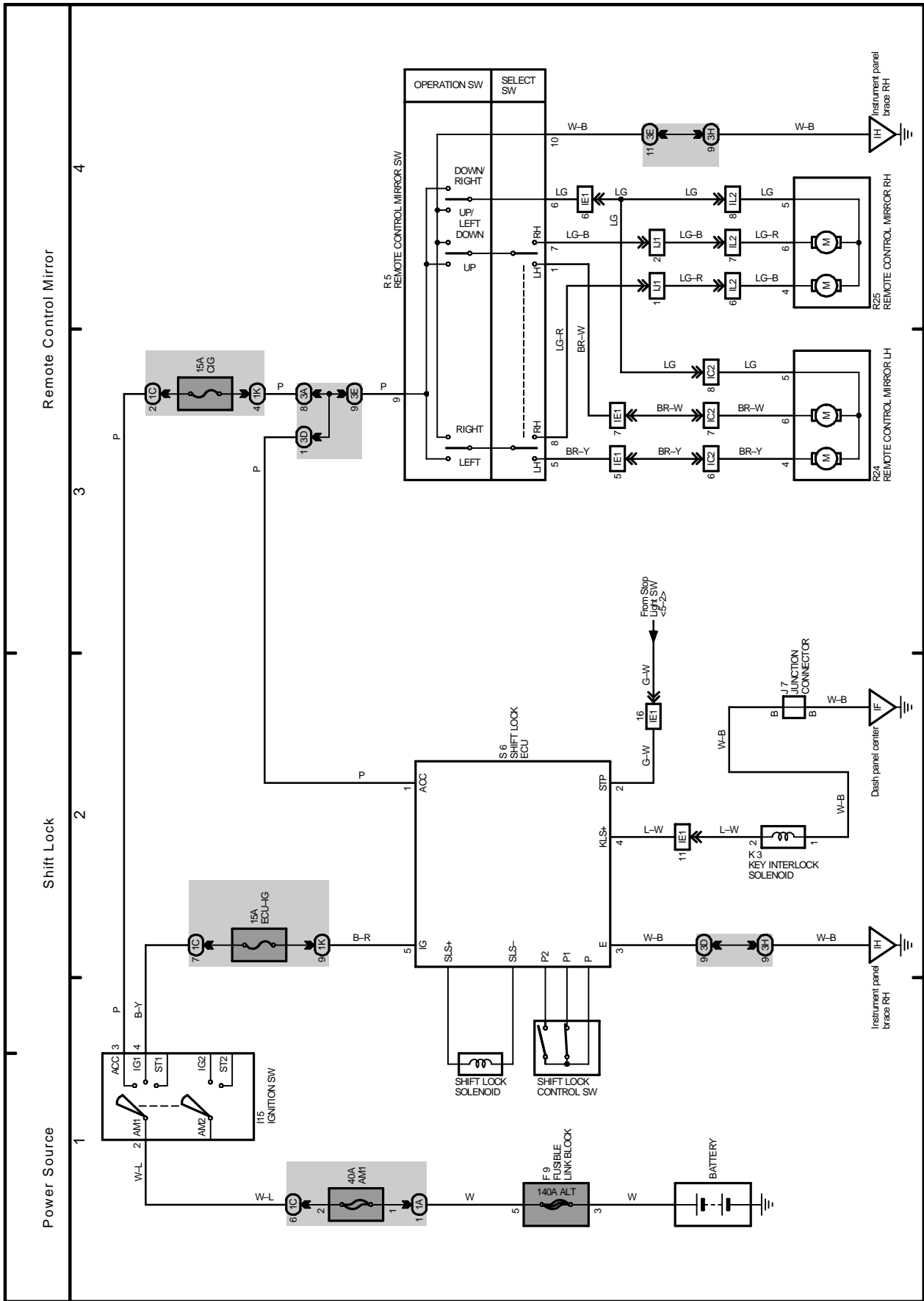
8 RX 300

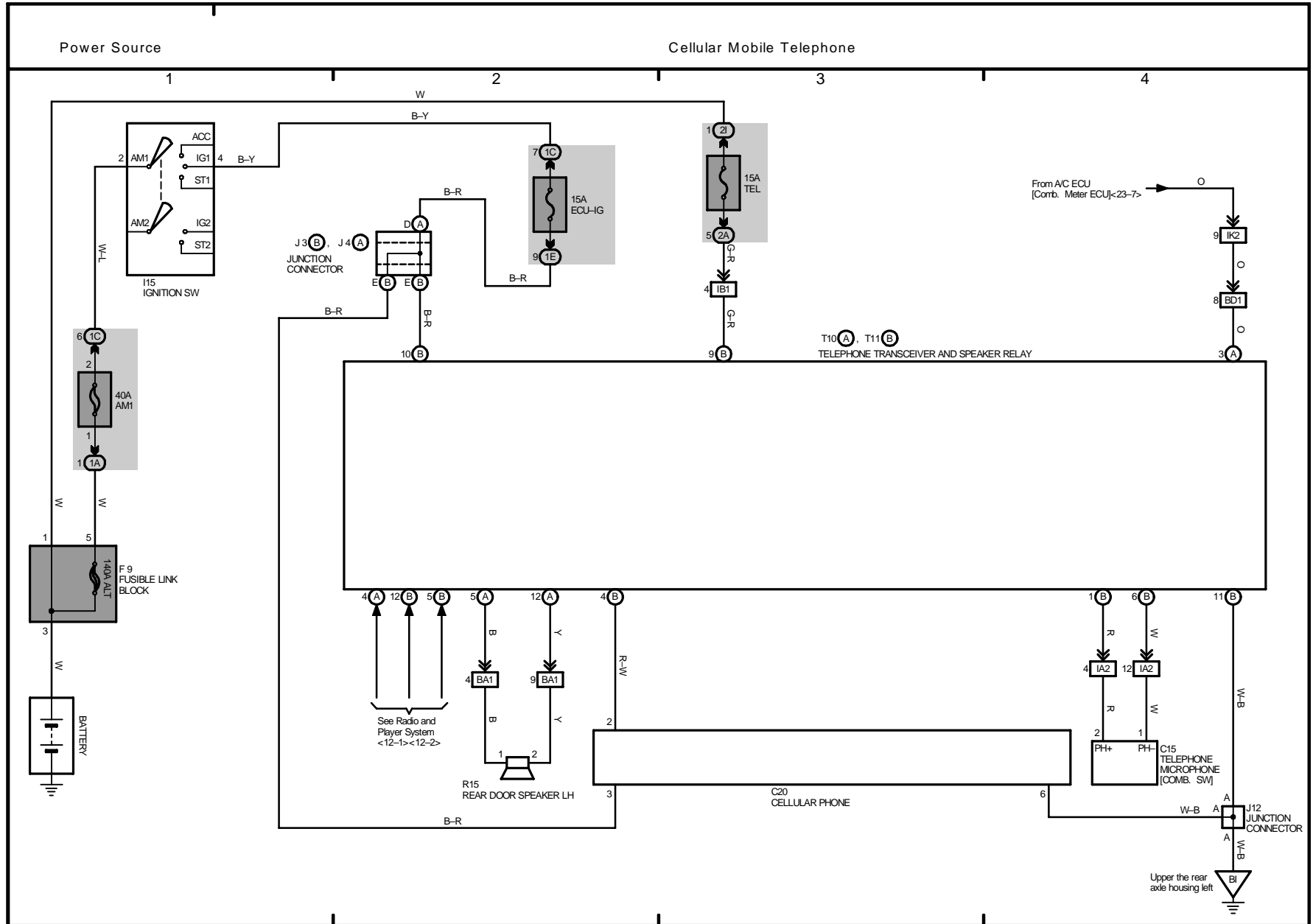




# M OVERALL ELECTRICAL WIRING DIAGRAM

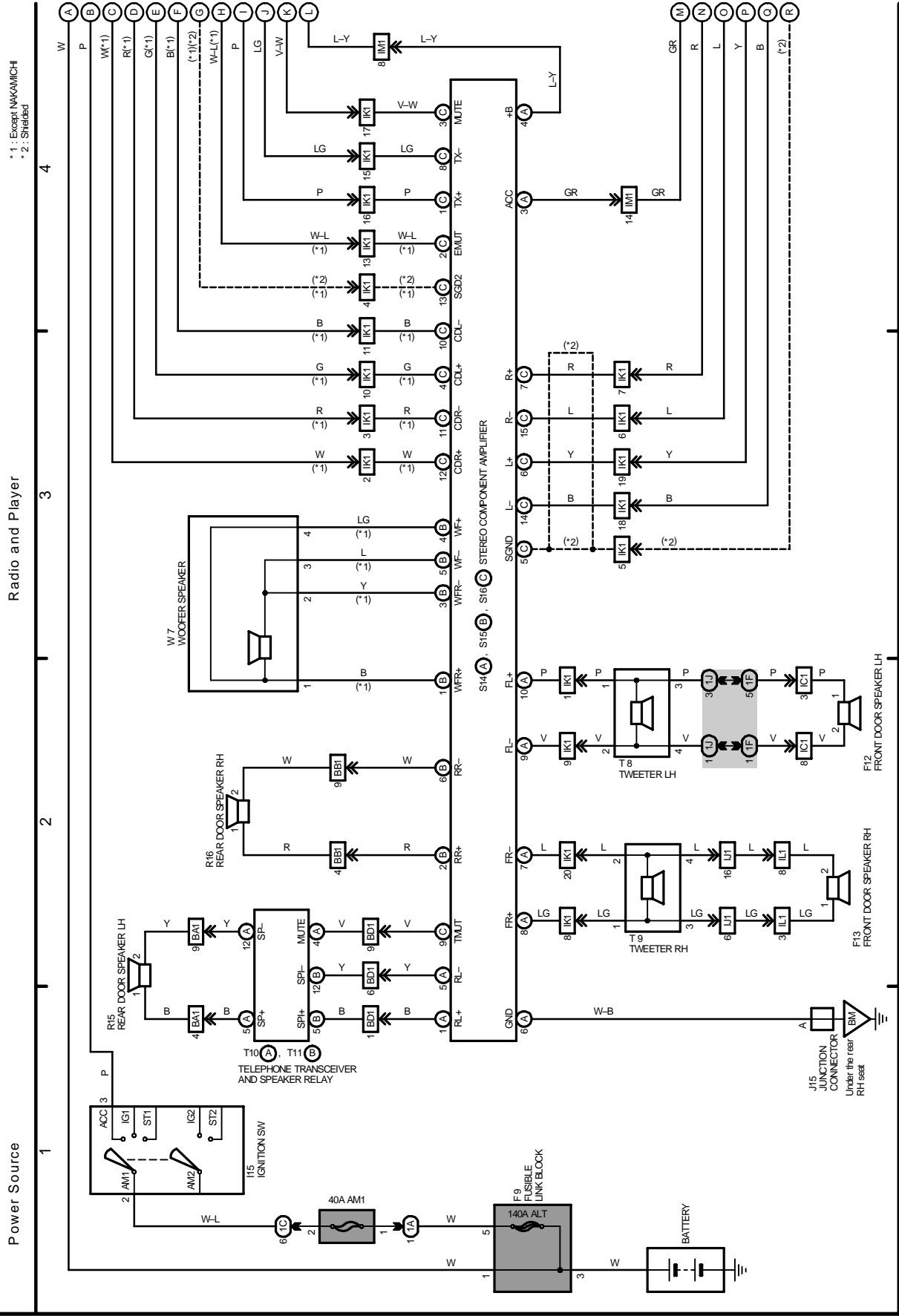
10 RX 300





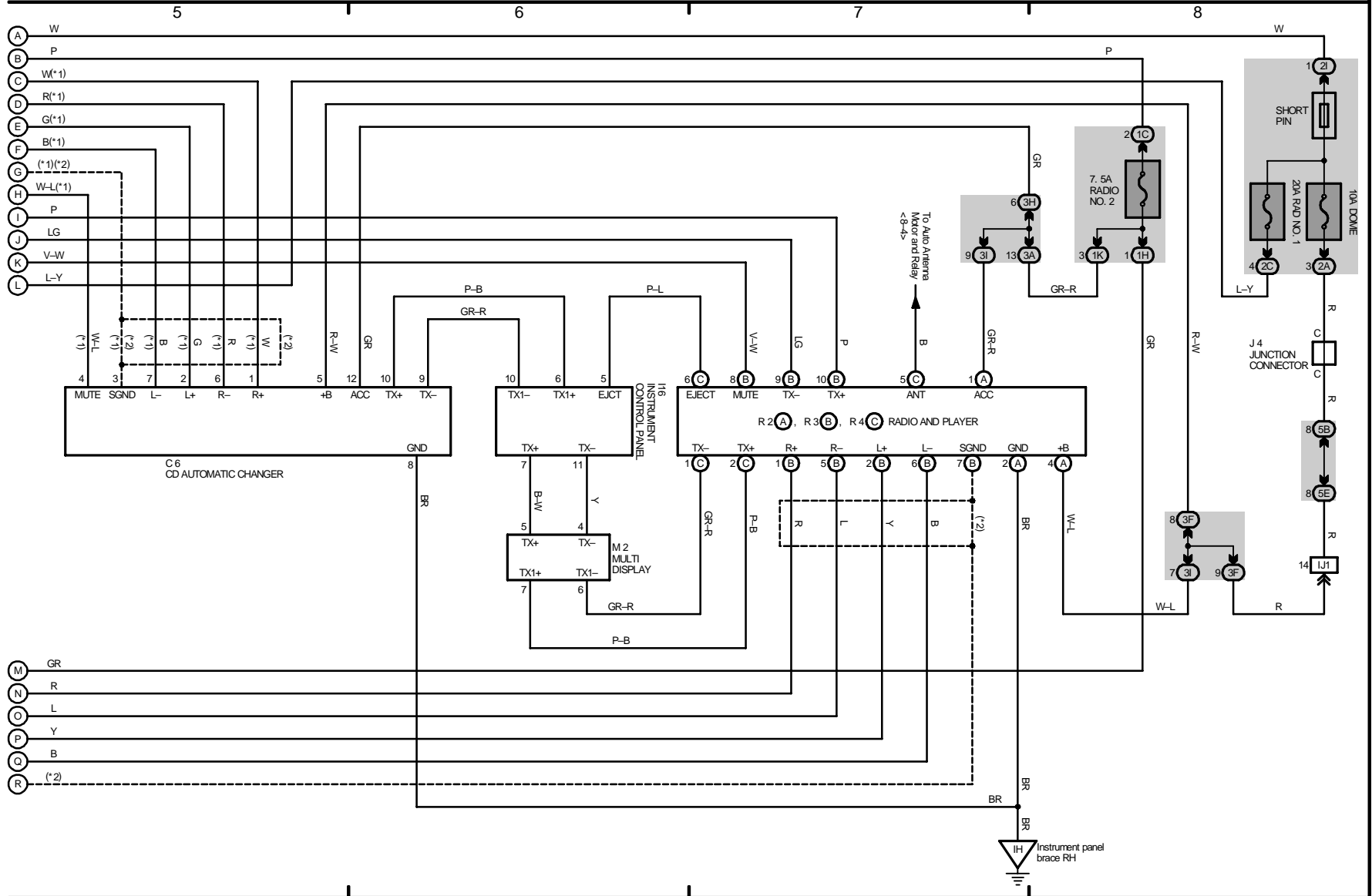
# M OVERALL ELECTRICAL WIRING DIAGRAM

12 RX 300 (Cont. next page)



Radio and Player

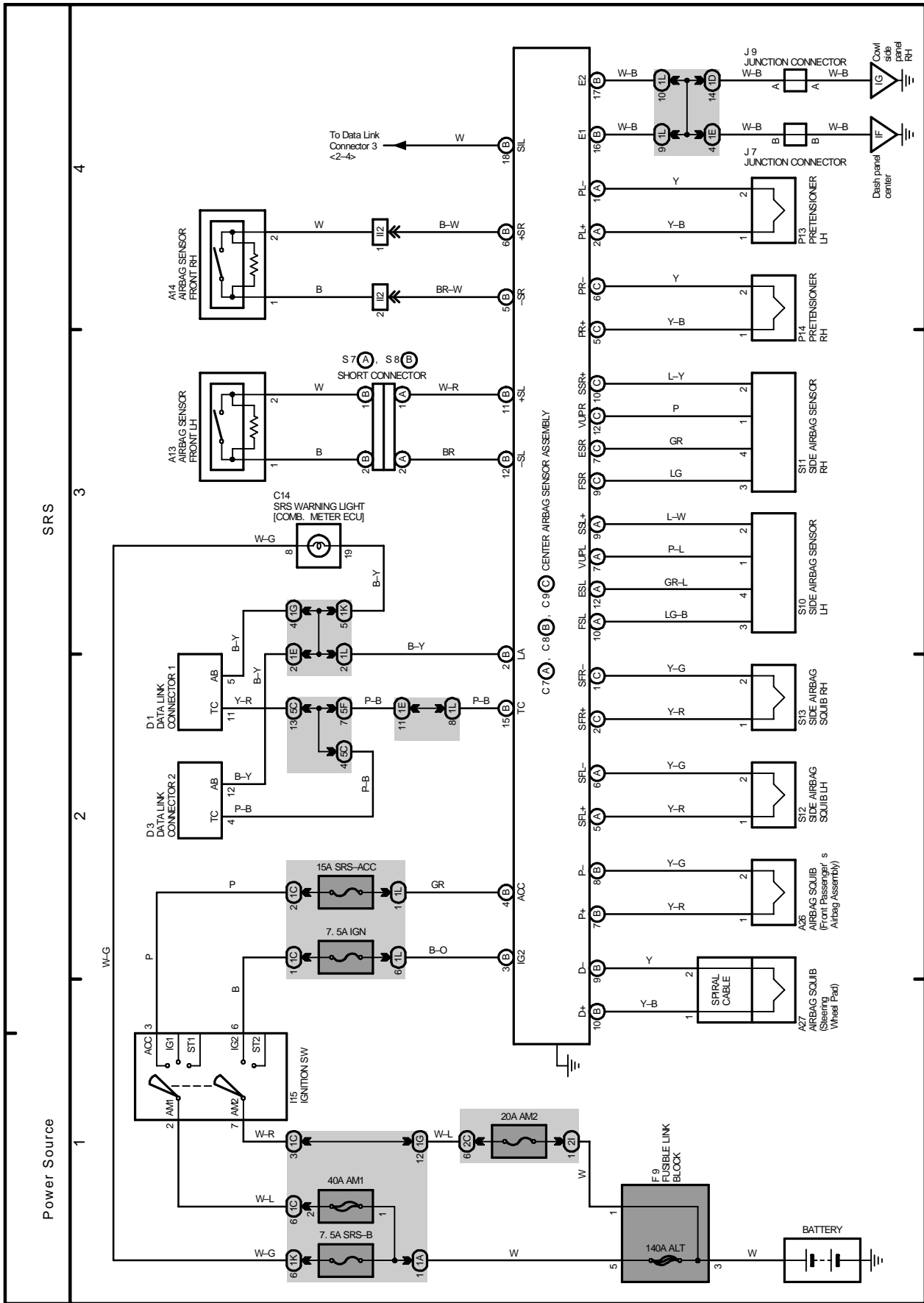
\* 1 : Except NAKAMICHI  
 \* 2 : Shielded



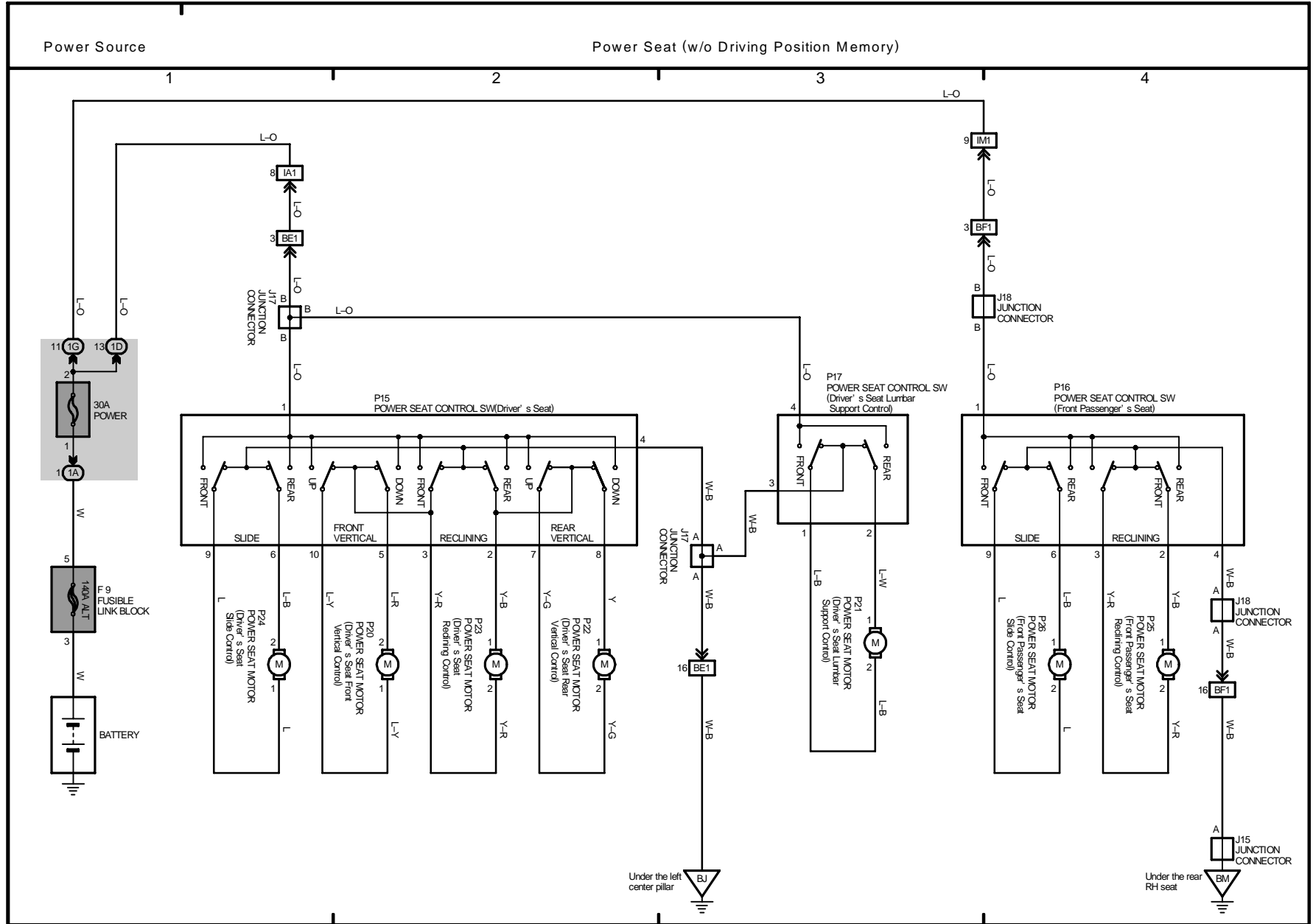
2000 LEXUS RX 300 (EWD395U)

# M OVERALL ELECTRICAL WIRING DIAGRAM

13 RX 300







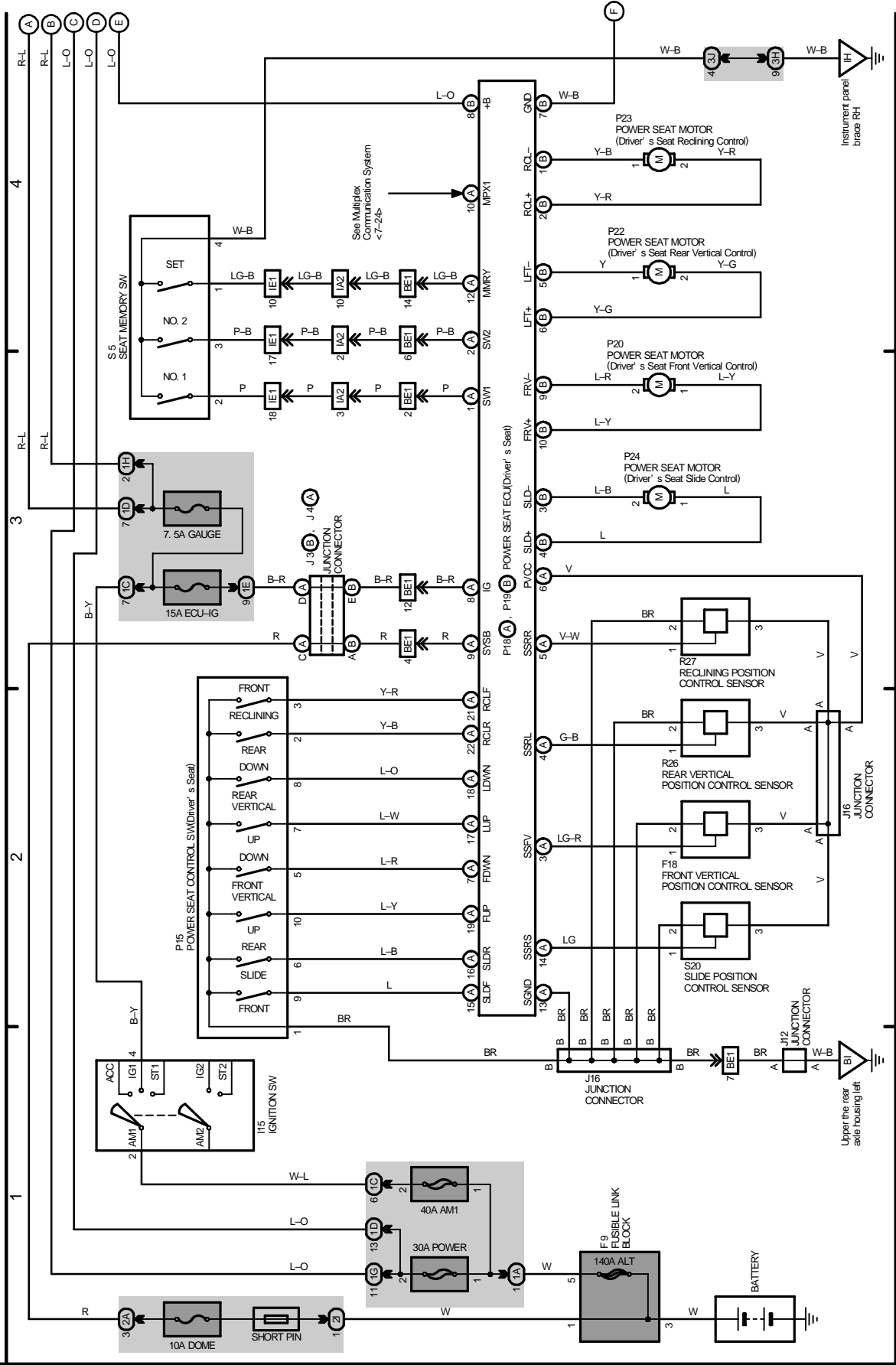
# M OVERALL ELECTRICAL WIRING DIAGRAM

(Cont. next page)

15 RX 300

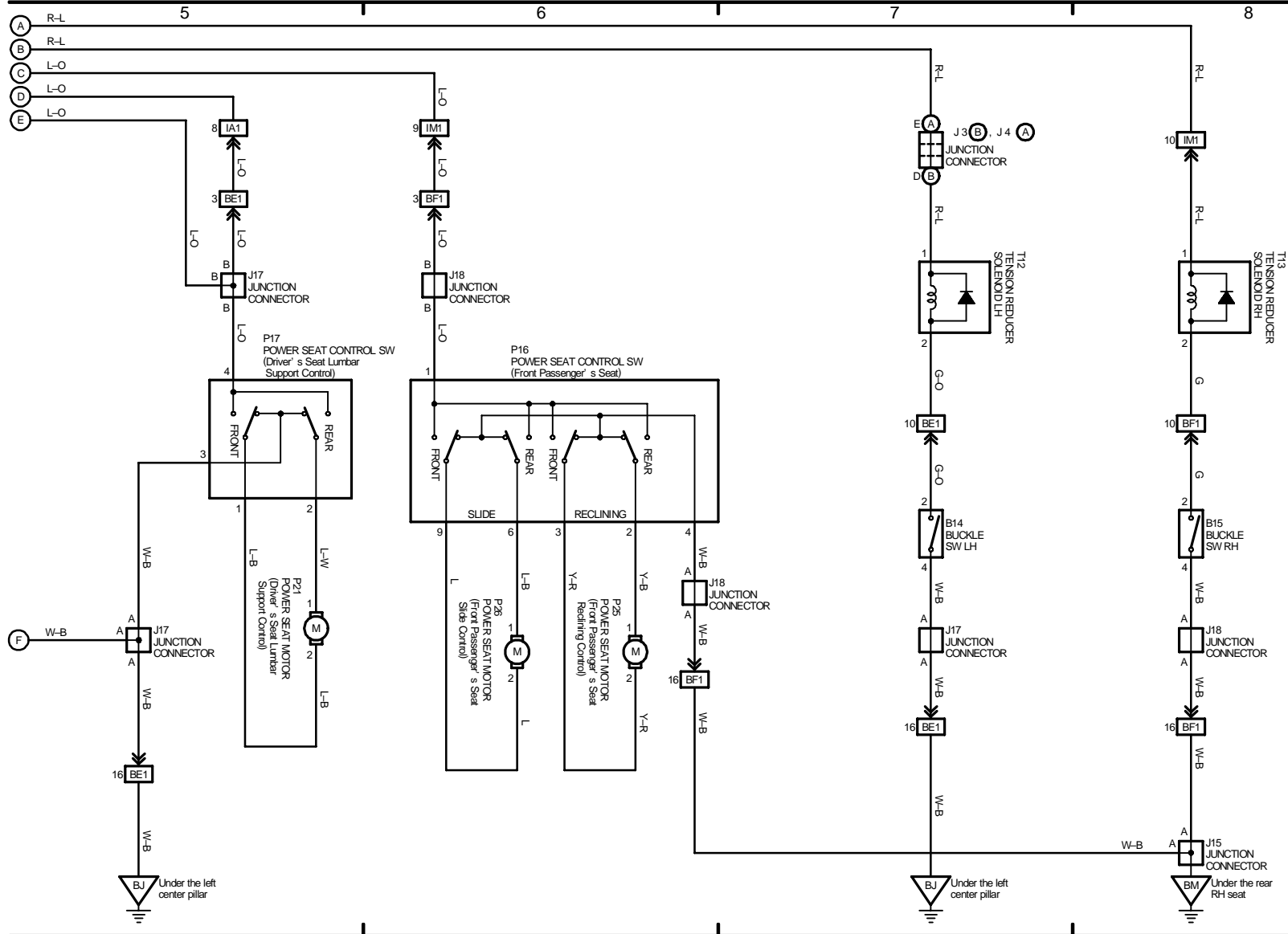
Power Seat (w/ Driving Position Memory)

Power Source



Power Seat (w/ Driving Position Memory)

Electric Tension Reducer

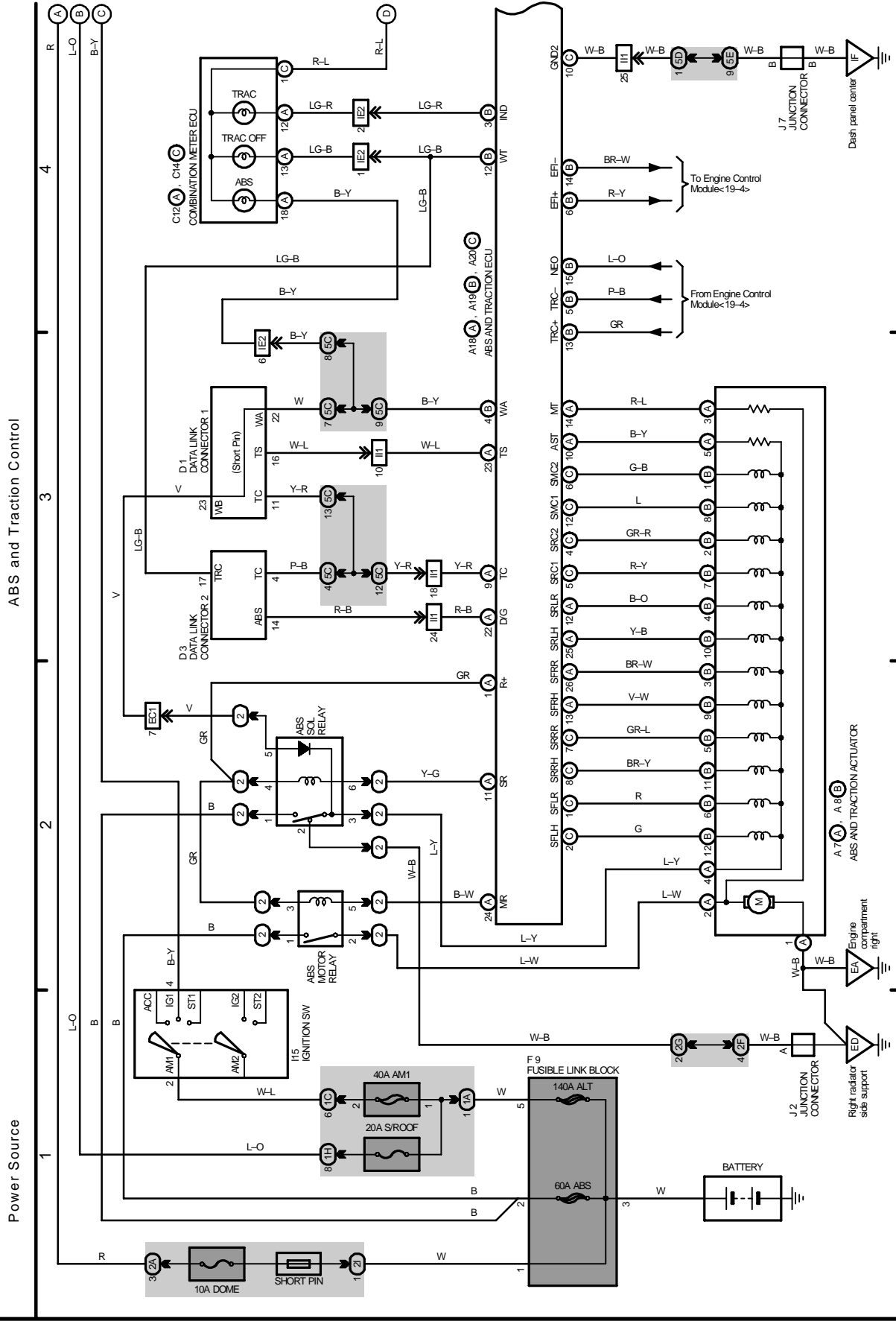


2000 LEXUS RX 300 (EWD395U)

# M OVERALL ELECTRICAL WIRING DIAGRAM

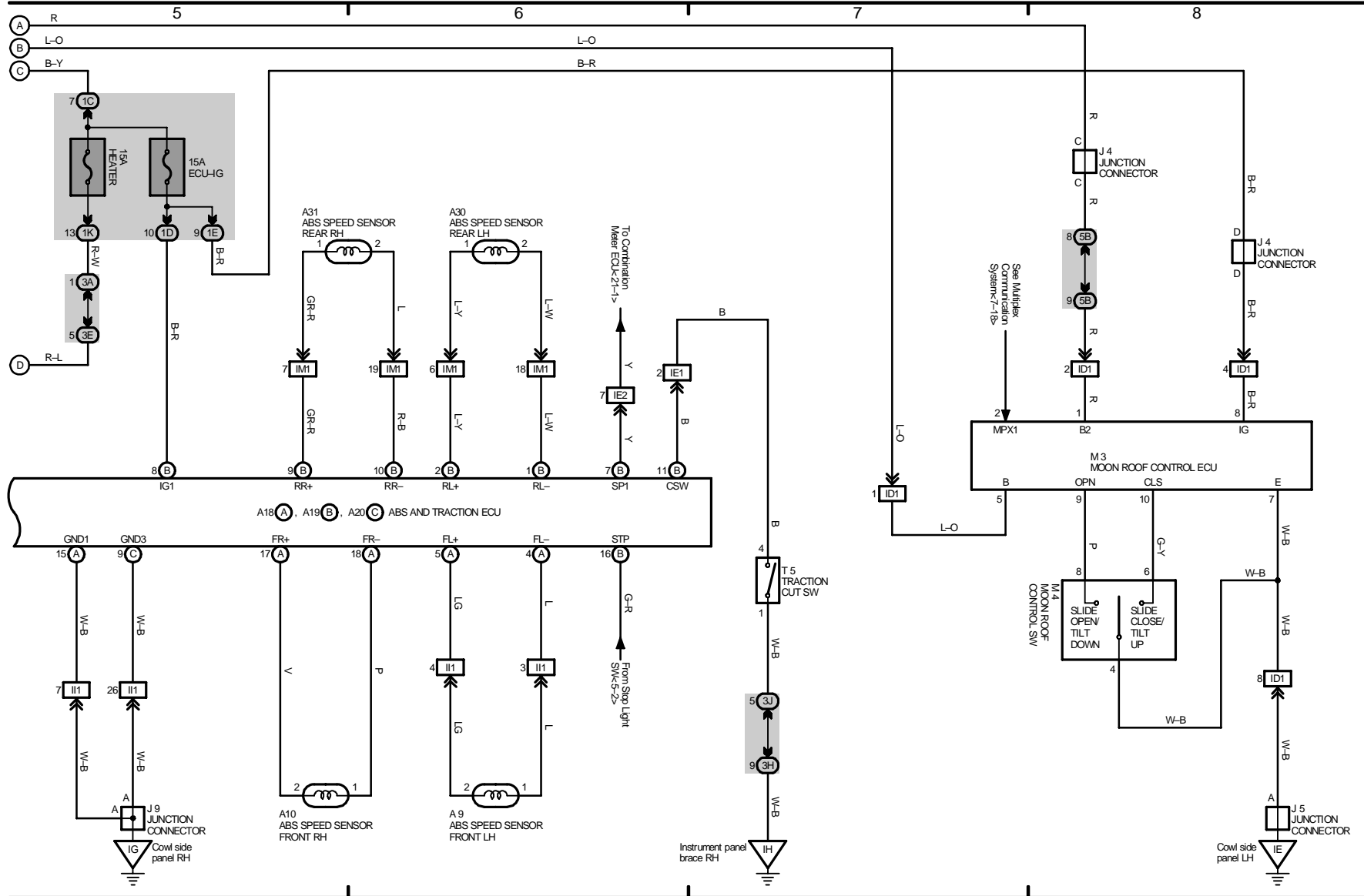
(Cont. next page)

16 RX 300



ABS and Traction Control

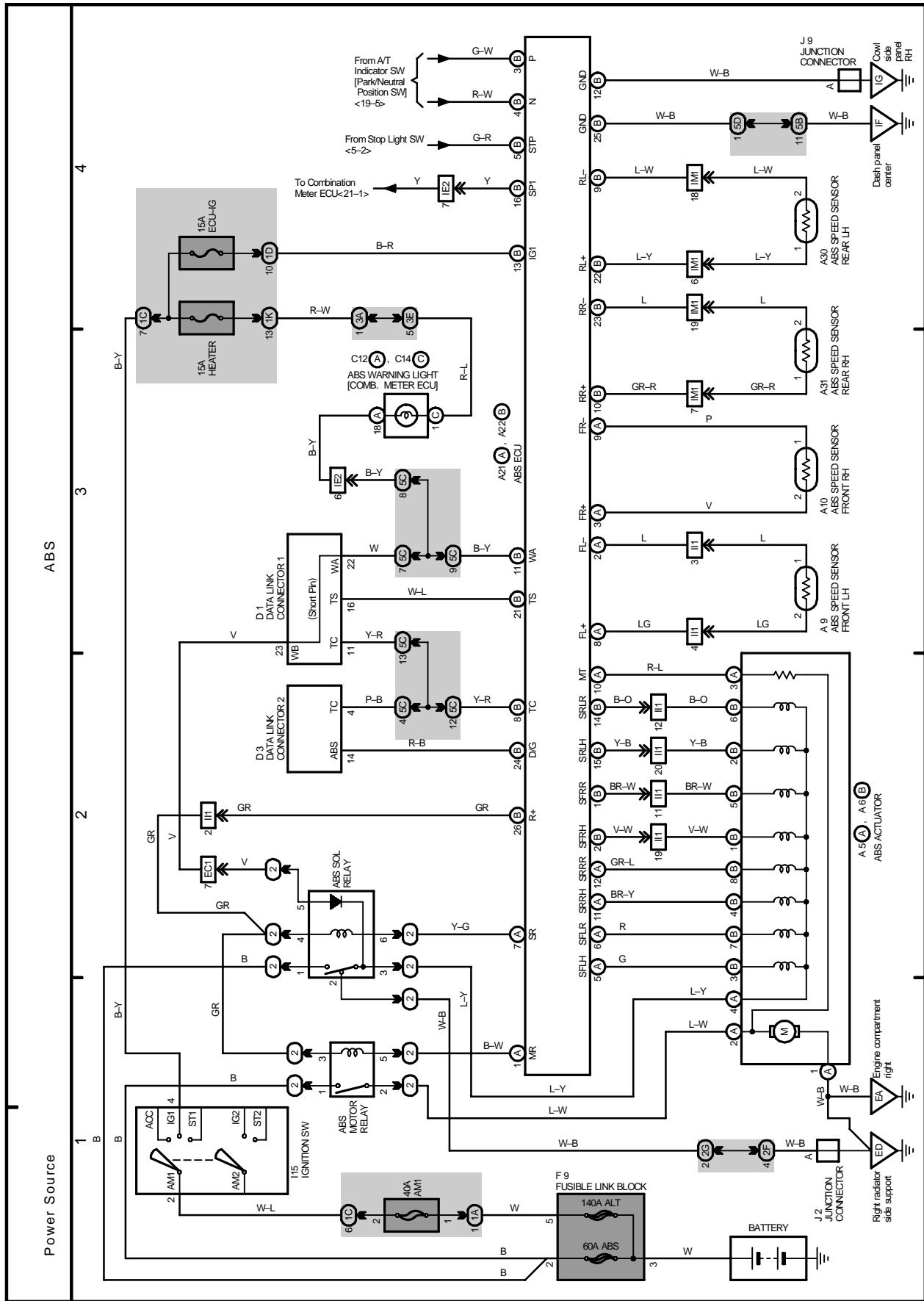
Moon Roof

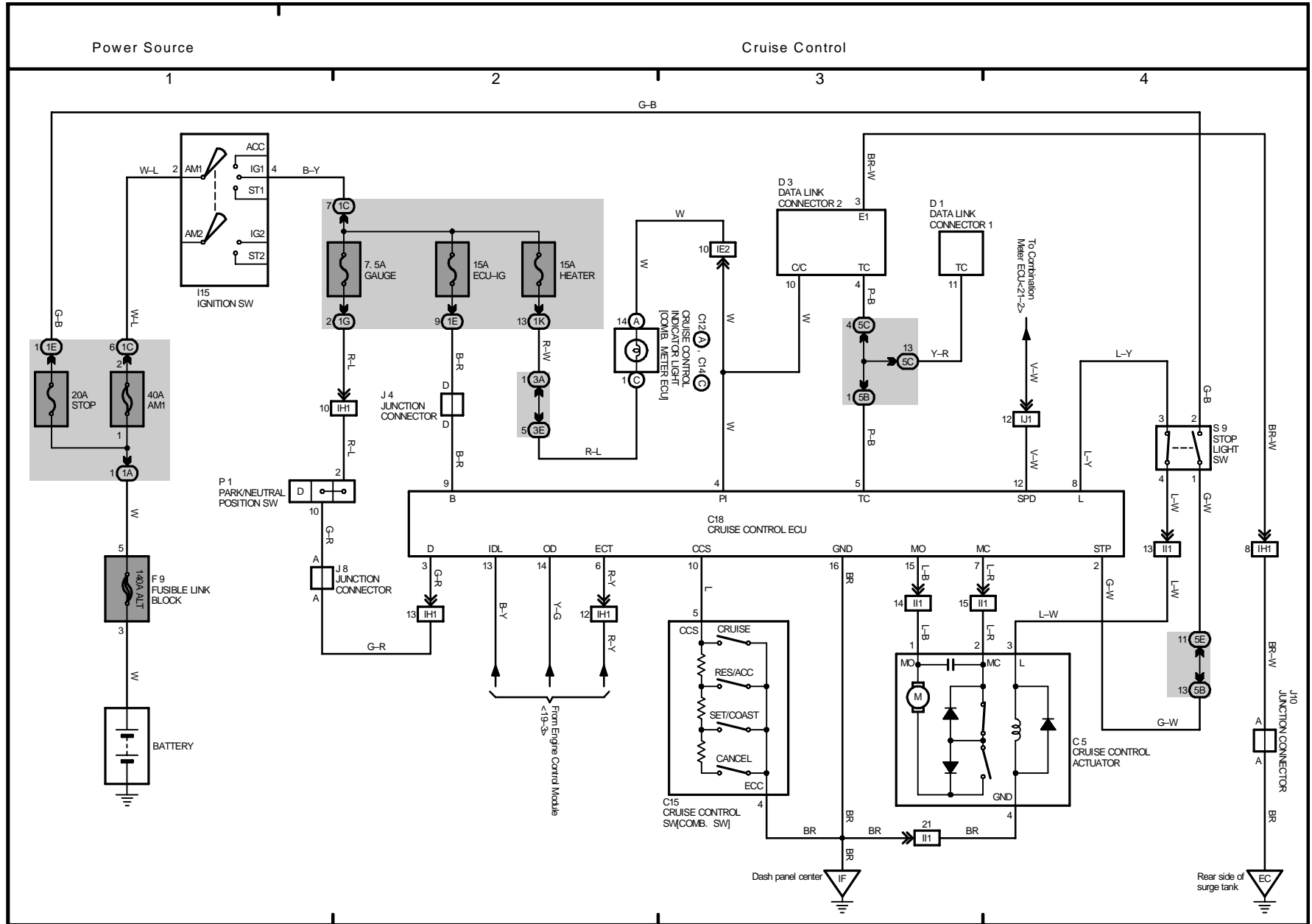


2000 LEXUS RX 300 (EWD395U)

# M OVERALL ELECTRICAL WIRING DIAGRAM

17 RX 300



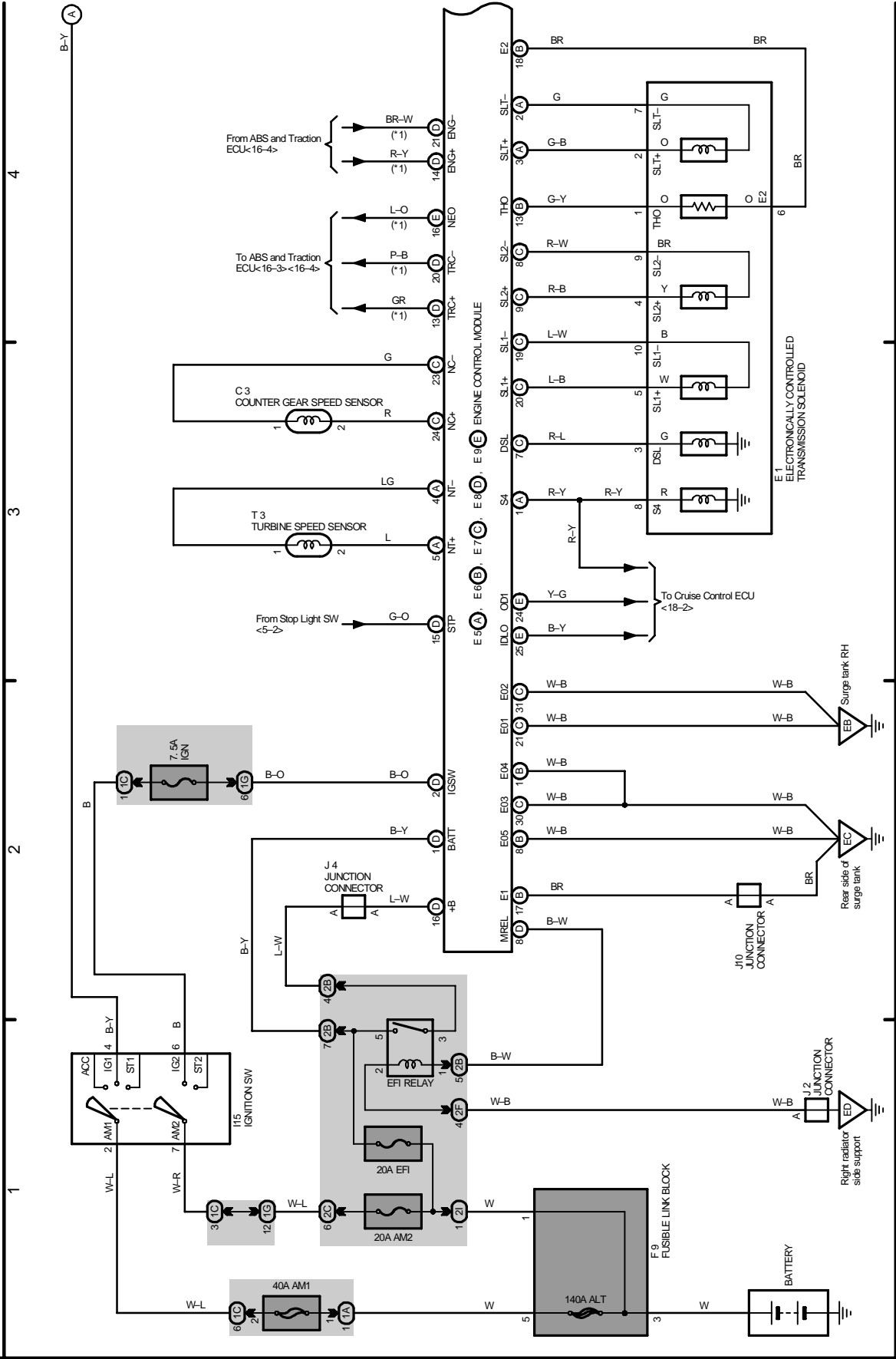


# M OVERALL ELECTRICAL WIRING DIAGRAM

19 RX 300 (Cont. next page)

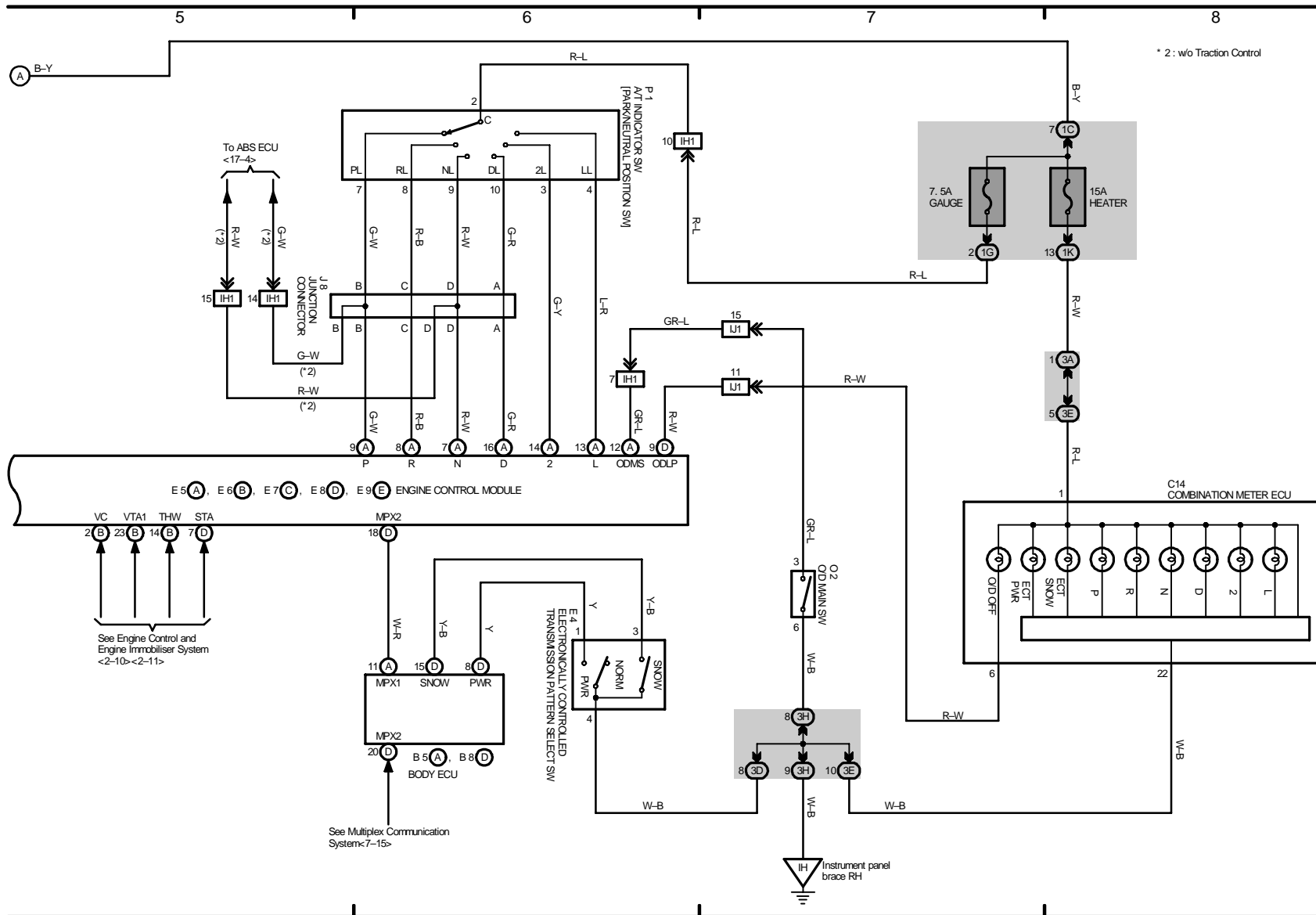
## Electronically Controlled Transmission and A/T Indicator

\* 1 : w/ Traction Control





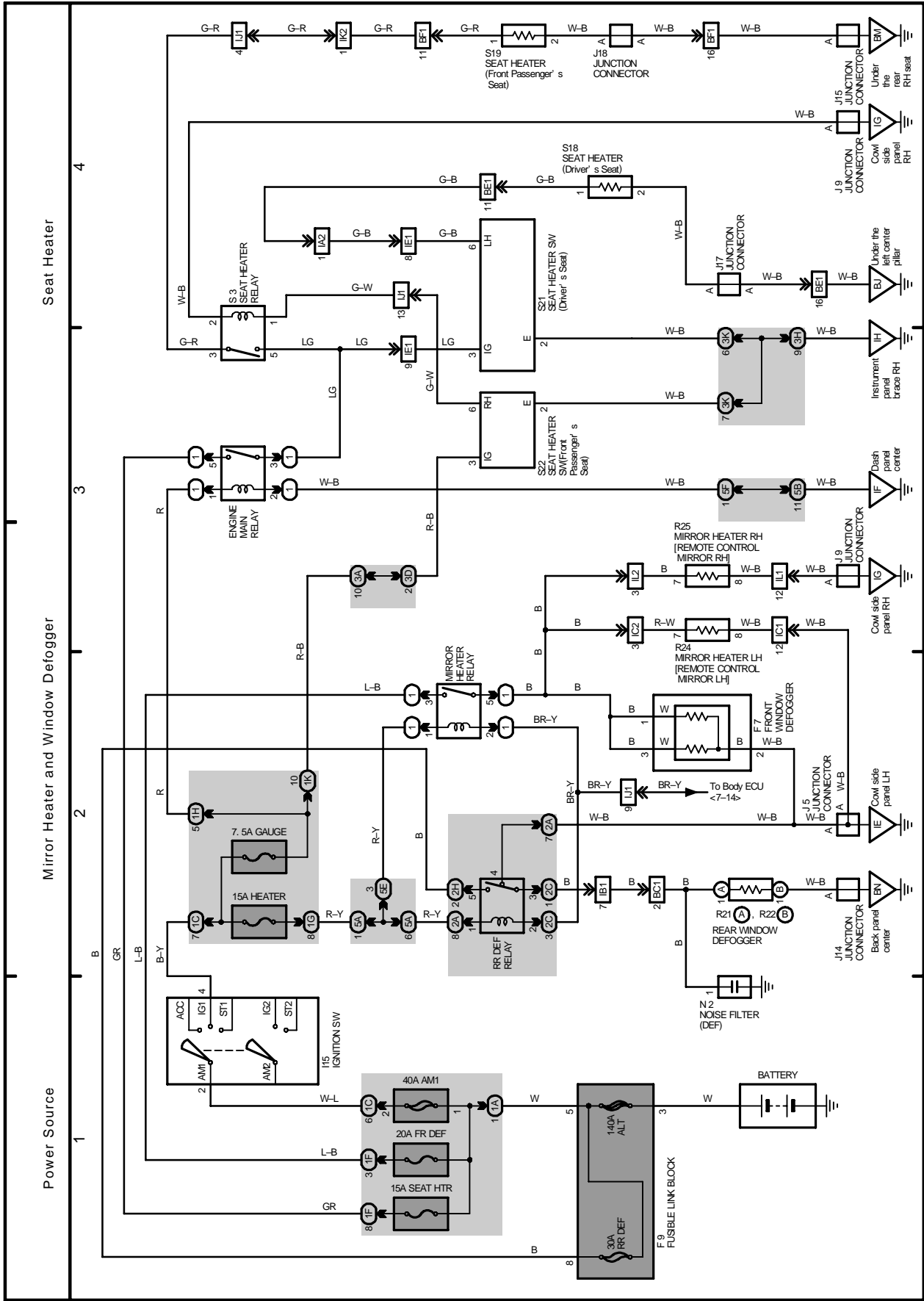
Electronically Controlled Transmission and A/T Indicator

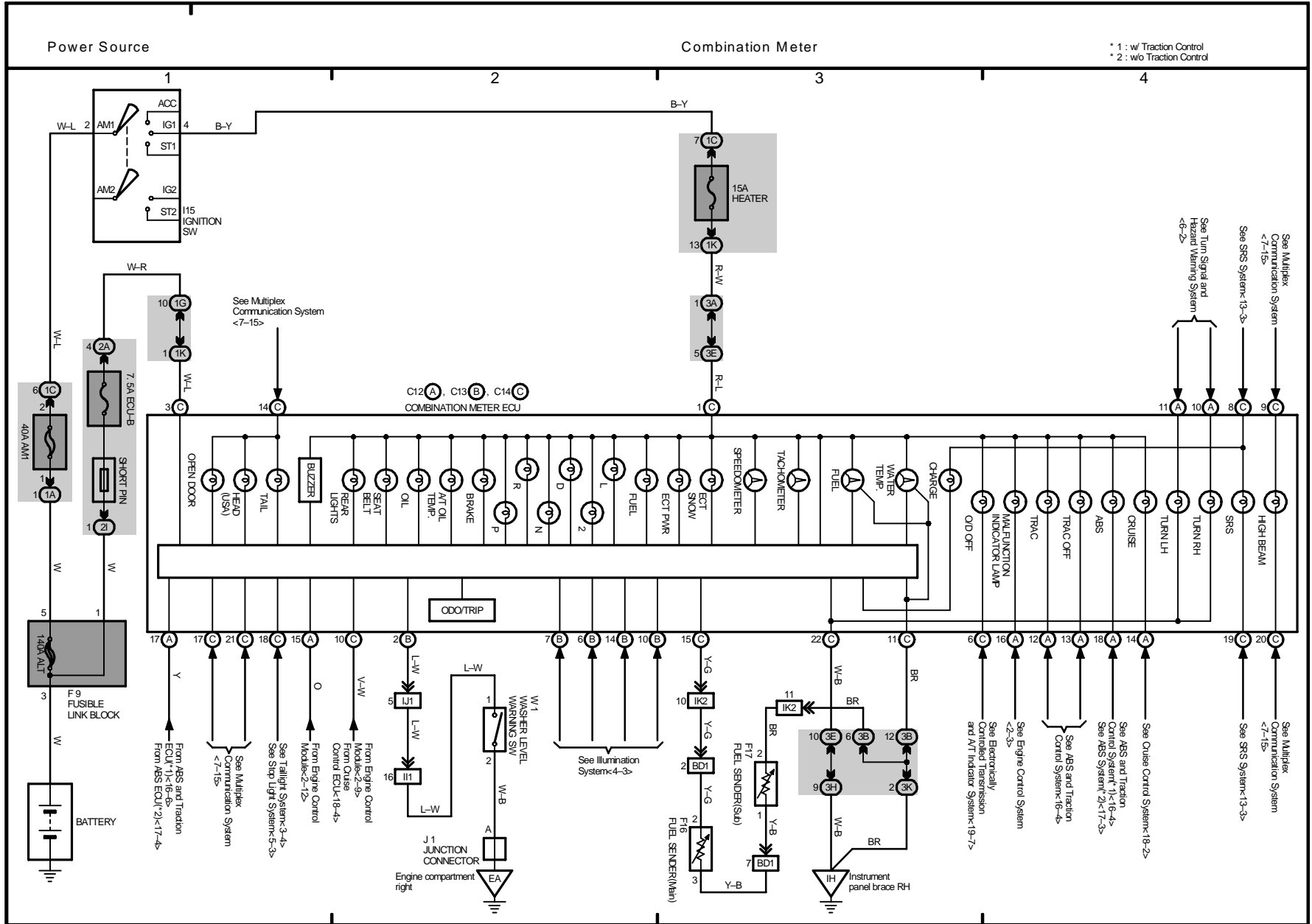


2000 LEXUS RX 300 (EWD395U)

# M OVERALL ELECTRICAL WIRING DIAGRAM

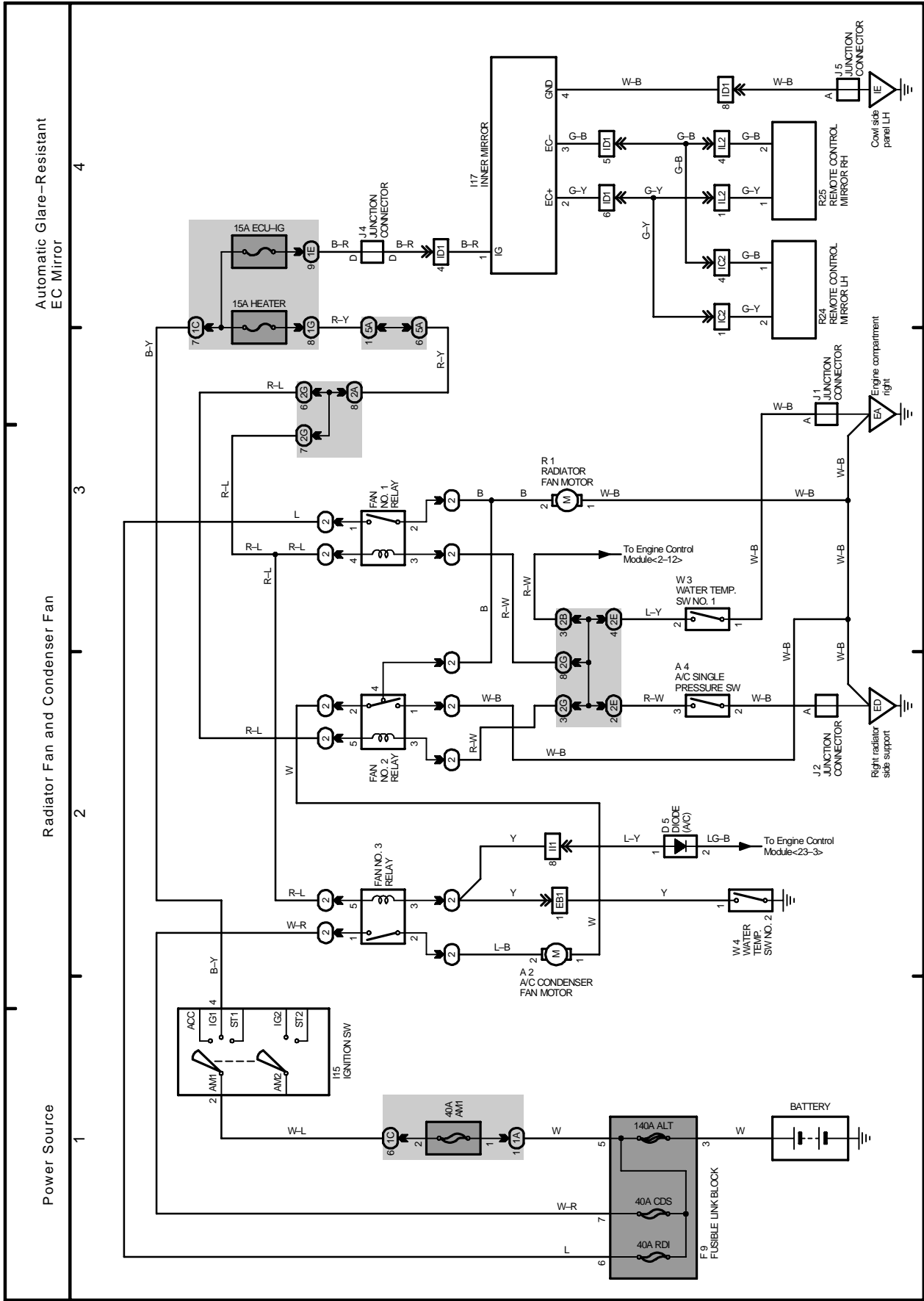
20 RX 300





# M OVERALL ELECTRICAL WIRING DIAGRAM

22 RX 300



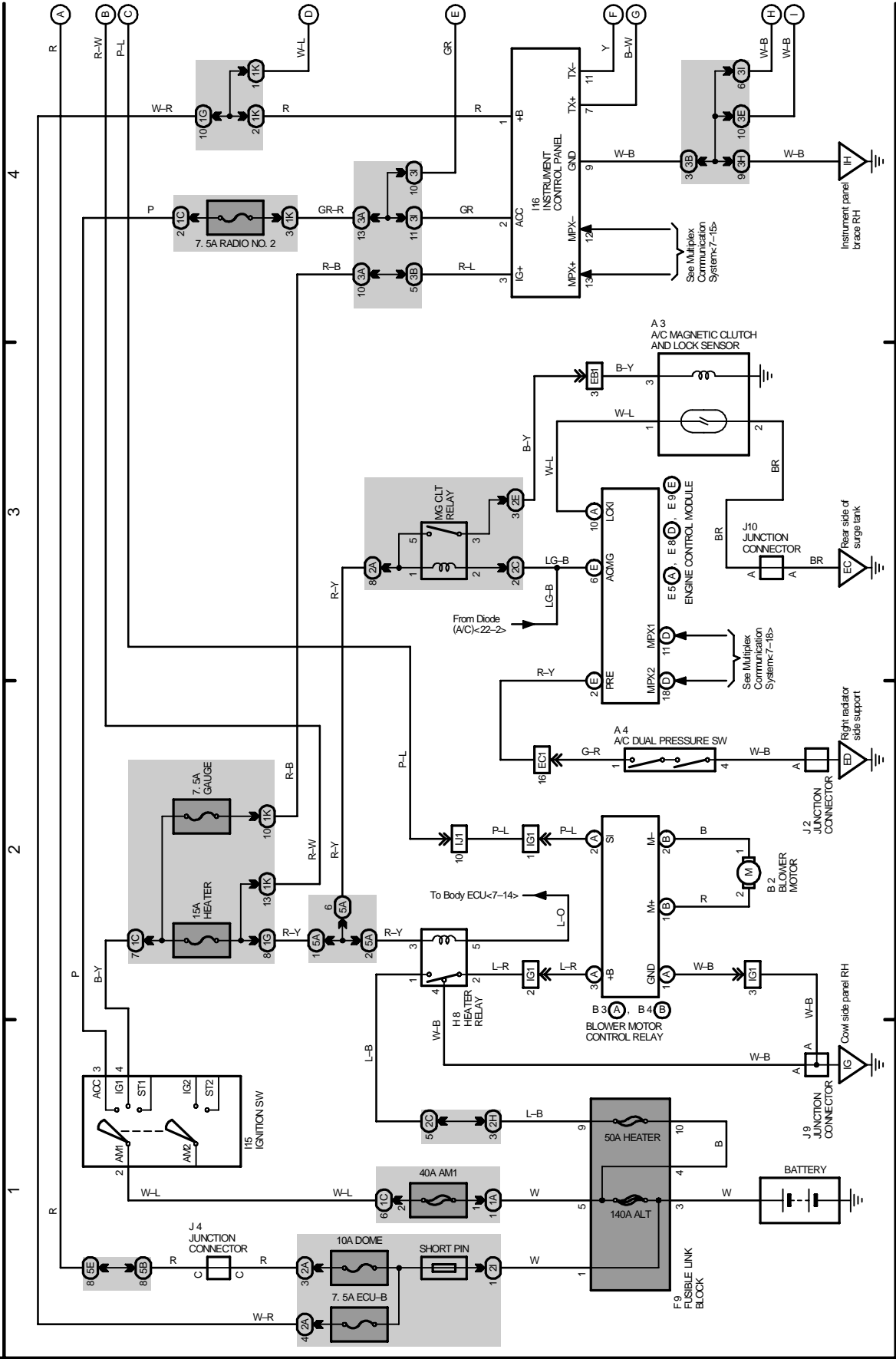


# M OVERALL ELECTRICAL WIRING DIAGRAM

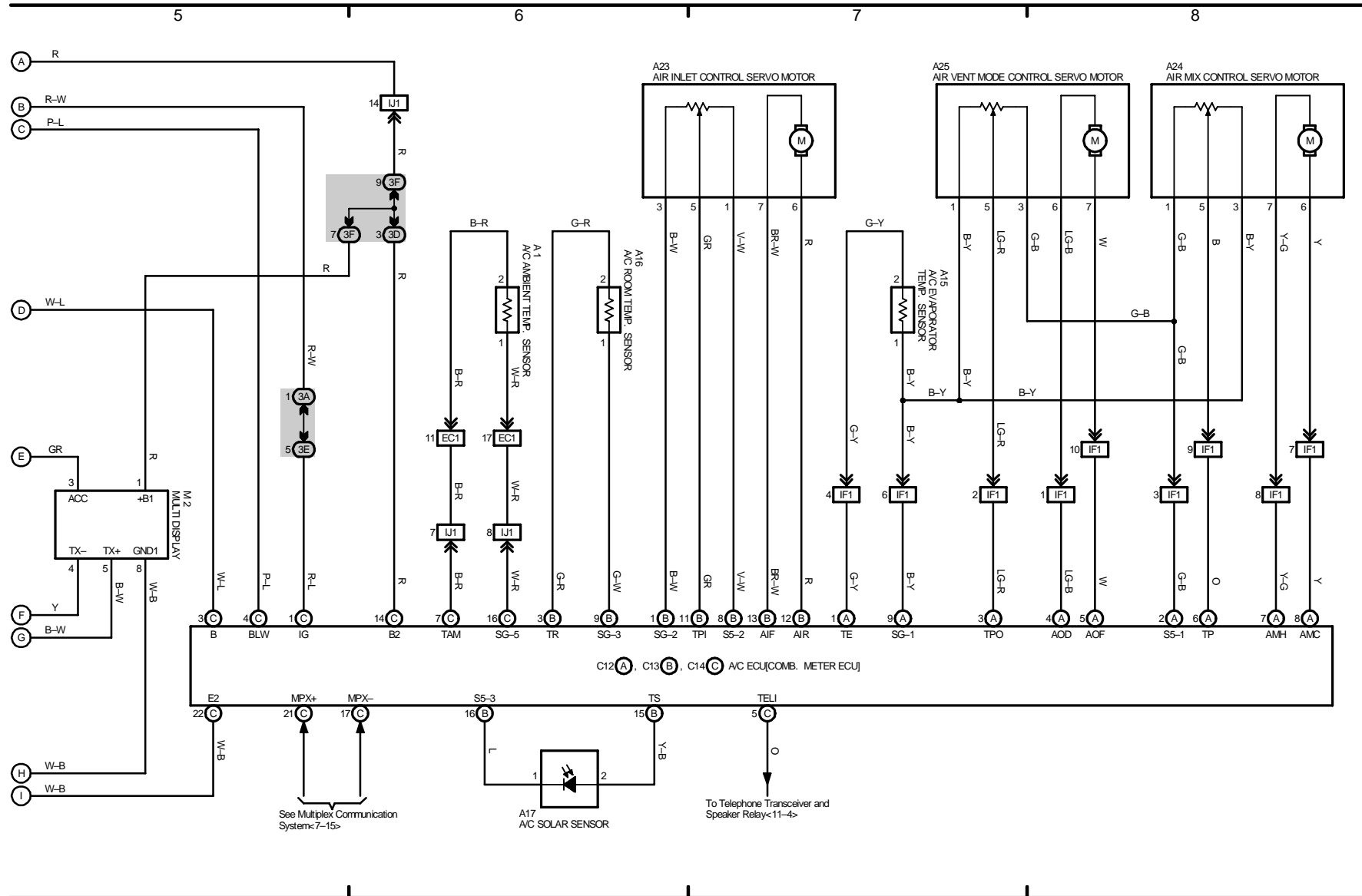
(Cont. next page)

23 RX 300

## Automatic Air Conditioning



Automatic Air Conditioning



2000 LEXUS RX 300 (EWD395U)