



**Technical Service
Information Bulletin**

September 4, 2003

Title:

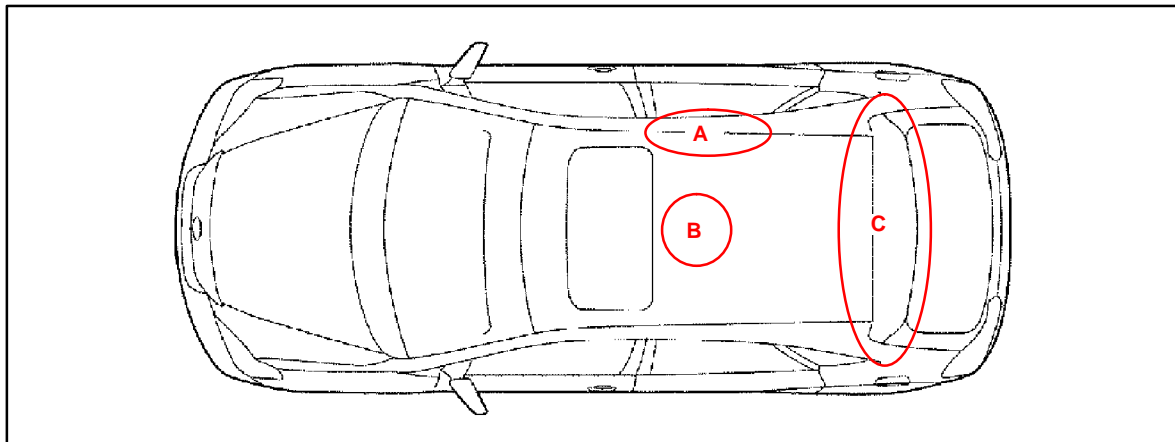
MOON ROOF AND HEADLINER RATTLE SERVICE TIPS

Models:

'04 RX 330

NVH
NV009-03

Introduction Some customers may experience rattling conditions from the headliner areas shown below, while driving or upon door closing. The following procedures have been developed to address these conditions.



Applicable Vehicles

- 2004 model year RX 330 vehicles.

Required Tools & Material

TOOLS & MATERIAL	PART NUMBER	QUANTITY
Noise Kit	08231-00801	1

Warranty Information

OP CODE	DESCRIPTION	TIME	OFF	T1	T2
NV3018	Remove and Reinstall Headliner Assembly	3.4	63301-48080-A0	91	44
Combo A	Repair Procedure A	0.1			
Combo B	Repair Procedure B	0.1			
Combo C	Repair Procedure C	0.1			

Applicable Warranty*:

This repair is covered under the Lexus Comprehensive Warranty. This warranty is in effect for 48 months or 50,000 miles, whichever occurs first, from the vehicle's in-service date.

* Warranty application is limited to correction of a problem based upon a customer's specific complaint.



**Repair
Procedure
Introduction**

Begin by removing the headliner following the procedures detailed on the Technical Information System (TIS). Refer to the 2004 RX 330 Repair Manual: Exterior/Interior Trim; Roof Headlining Assembly; Components and Replacement.

NOTE:

Attempting these repairs without completely removing the headliner may result in permanent damage to the headliner.

With Rear Seat Entertainment System: Remove the rear seat entertainment console by releasing the 4 clips and 2 screws. Unhook the harness and remove.

**Repair
Procedure A**

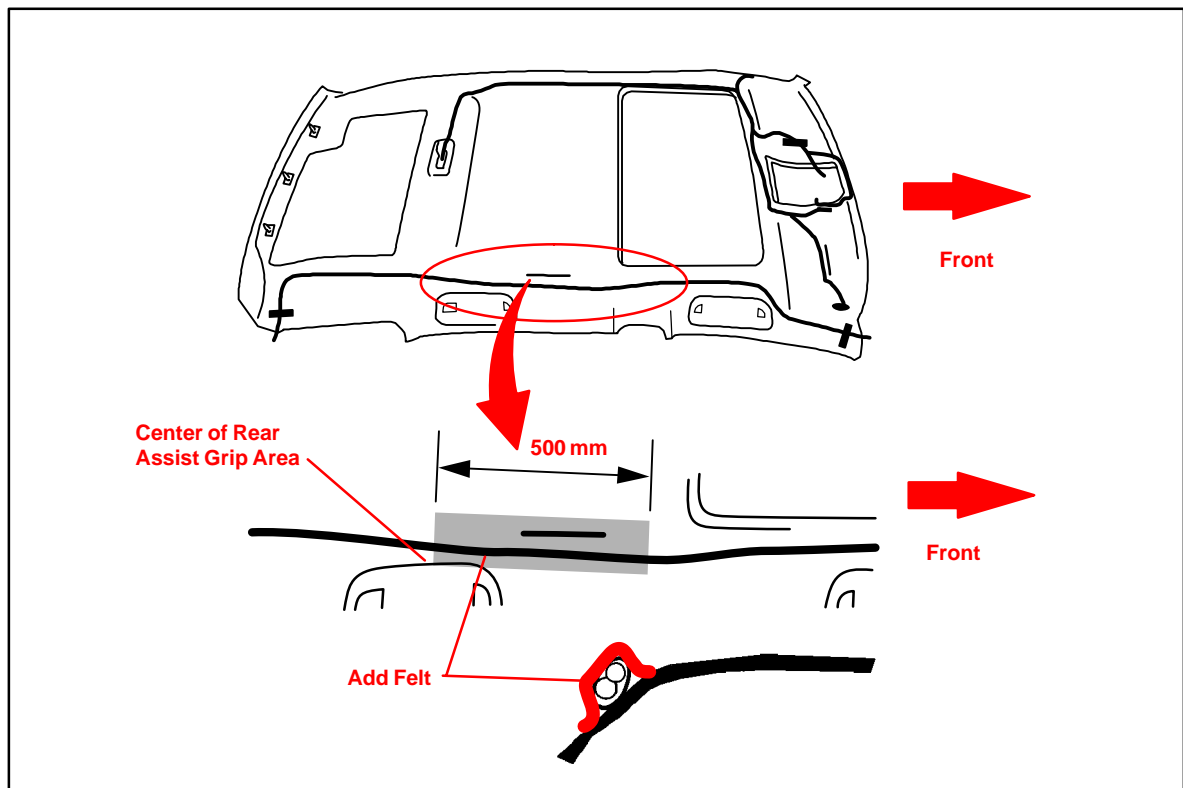
Rattle Near Right Rear Assist Grip

1. Locate the portion of the antenna cable directly above the rear passenger side assist grip.
2. Secure that section of cable to the headliner using felt from the Noise Kit (P/N 08231-00801).
3. Cut a section of felt into the following dimensions:
Length: 500 mm
Width: 120 mm
Thickness: 3 mm

NOTE:

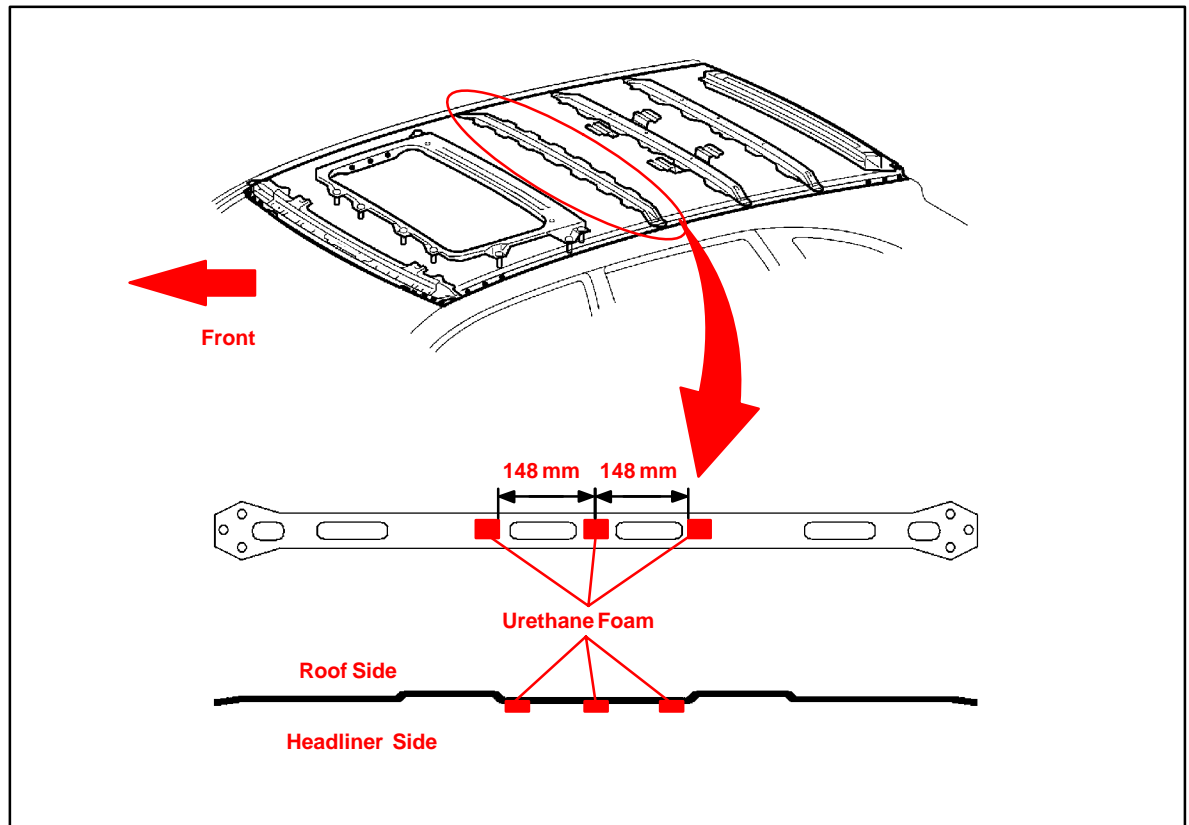
If felt is unavailable in the size noted above, combine pieces to create the correct proportions.

4. Apply the felt to the area as shown below.



**Repair
Procedure B****Rattle Near Center Dome Lamp on Single Panel Moon Roof Models**

1. Apply three blocks of urethane foam from the Noise Kit (P/N 08231–00801) to the bottom of the roof panel reinforcement bar at the rear of the moon roof housing as shown in the illustrations.

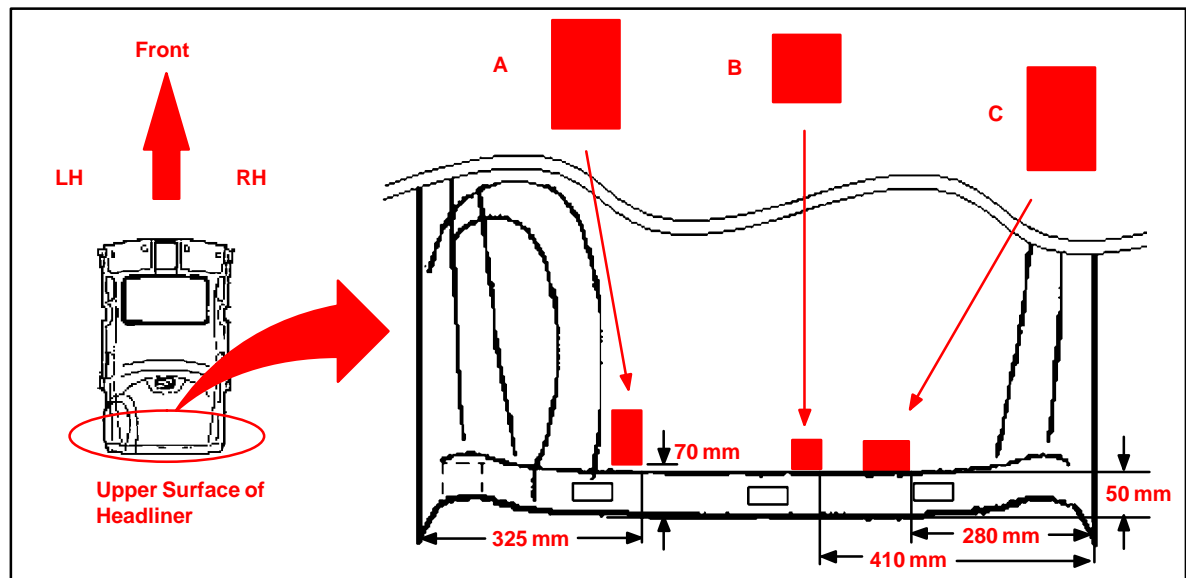
Foam Dimensions:**Length: 20 mm****Width: 30 mm****Thickness: 5 mm**

Repair Procedure C Rattles Near Power Back Door

1. Cut 3 pieces of urethane foam from the Noise Kit (PN 08231–00801) into the following dimensions:

DIMENSIONS	FOAM PIECE "A"	FOAM PIECE "B"	FOAM PIECE "C"
Length	120 mm	70 mm	100 mm
Width	70 mm	70 mm	70 mm
Thickness	5 mm	5 mm	5 mm

2. Stick the foam pieces to the headliner on the top surface to prevent contact between the headliner and the items listed. Use the chart and diagram below for locations.
 - A. Wire harness
 - B. Washer hoses
 - C. Antenna cord



3. Reinstall the roof headlining.