

# Engine Serial Number Location

**Service Category** Engine/Hybrid System

**Section** Engine Mechanical

**Market** USA

Lexus Supports  
ASE Certification 

## Applicability

YEAR(S)	MODEL(S)	ADDITIONAL INFORMATION
2000 – 2003	ES300, RX300	
2004 – 2006	ES330, RX330	
2007 – 2009	ES350, GS350, GS450H, LS460, RX350	
2000 – 2006	GS300	
2000	GS400, LS400, SC300, SC400	
2001 – 2007	GS430	
2008 – 2009	GS460, IS F, LS600H, LX570	
2003 – 2009	GX470	
2006 – 2009	IS250, IS350	
2001 – 2005	IS300	
2001 – 2006	LS430	
2000 – 2007	LX470	
2006 – 2008	RX400H	
2002 – 2009	SC430	

## Engine Serial Number Location

---

### Introduction

The purpose of this TSIB is to assist in the identification and location of engine serial numbers on 2000 – 2009 model year Lexus vehicles.

**NOTE**

When writing a Field Technical and/or Product Report the serial number of the engine **MUST** be provided.

### Warranty Information

OP CODE	DESCRIPTION	TIME	OFP	T1	T2
N/A	Not Applicable to Warranty	–	–	–	–

## Engine Serial Number Location

### Identification Procedure

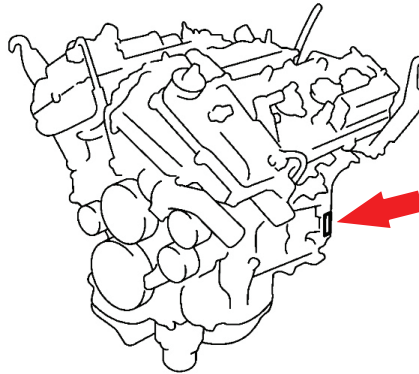
ENGINE MODEL	MODEL	MODEL YEAR	SERIAL NUMBER
3MZ-FE	ES 330	2004 – 2006	<b>3MZ- 1 #####</b> 1: Plant Code (1 – 9) #####: 6-Digit Serial Number (0 – 9) <b>Location:</b> On Left Side, Rear of Engine Block (as shown below)
	RX 330		
	RX 400h	2006 – 2008	

ENGINE MODEL	MODEL	MODEL YEAR	SERIAL NUMBER
2JZ-GE	GS 300	2000 – 2005	<b>2JZ- 1 #####</b> 1: Plant Code (1 – 9) #####: 6-Digit Serial Number (0 – 9) <b>Location:</b> On Left Side, Front of Engine Block (as shown below)
	IS 300	2001 – 2005	
	SC 300	2000	

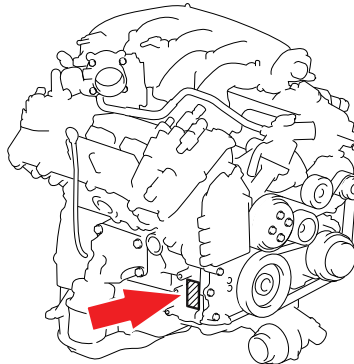
## Engine Serial Number Location

### Identification Procedure (Continued)

ENGINE MODEL	MODEL	MODEL YEAR	SERIAL NUMBER
2GR-FE	ES 350	2007 – 2009	<b>2GR- 1 #####</b> 1: Plant Code (1 – 9) #####: 6-Digit Serial Number (0 – 9) <b>Location:</b> On Left Side, Rear of Engine Block (as shown below)
	RX 350		



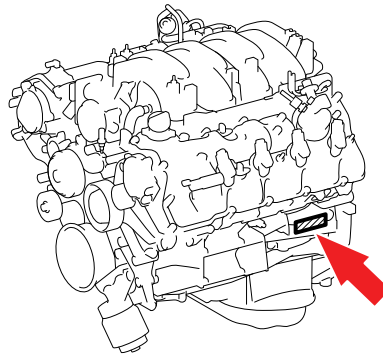
ENGINE MODEL	MODEL	MODEL YEAR	SERIAL NUMBER
2GR-FSE	GS 350	2007 – 2009	<b>2GR- 1 #####</b> 1: Plant Code (1 – 9) #####: 6-Digit Serial Number (0 – 9) <b>Location:</b> On Right Side, Front of Engine Block (as shown below)
	GS 450h		
	IS 350	2006 – 2009	



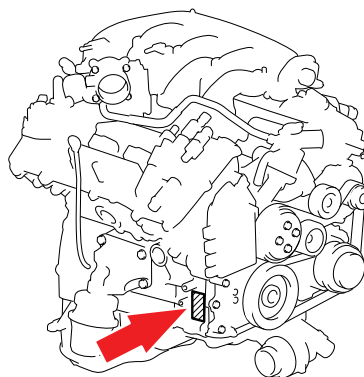
## Engine Serial Number Location

### Identification Procedure (Continued)

ENGINE MODEL	MODEL	MODEL YEAR	SERIAL NUMBER
1UR-FSE	GS 460	2008 – 2009	<b>1UR- 1 #####</b> 1: Plant Code (1 – 9) #####: 6-Digit Serial Number (0 – 9) <b>Location:</b> On Left Side, Rear of Engine Block (as shown below)
	LS 460	2007 – 2009	



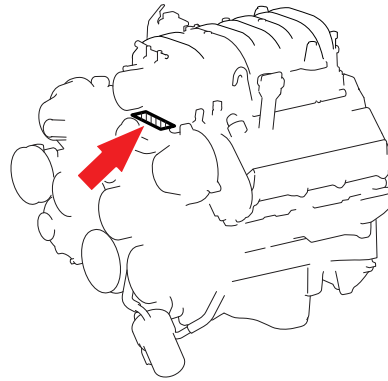
ENGINE MODEL	MODEL	MODEL YEAR	SERIAL NUMBER
3GR-FSE	GS 300	2006	<b>3GR- 1 #####</b> 1: Plant Code (1 – 9) #####: 6-Digit Serial Number (0 – 9) <b>Location:</b> On Right Side, Front of Engine Block (as shown below)



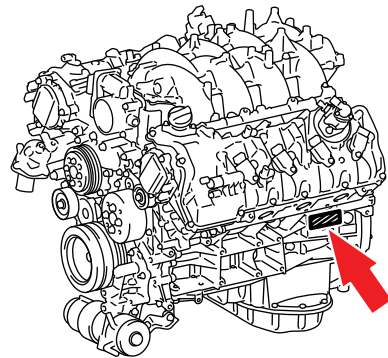
## Engine Serial Number Location

### Identification Procedure (Continued)

ENGINE MODEL	MODEL	MODEL YEAR	SERIAL NUMBER
2UZ-FE	GX 470	2003 – 2009	<b>2UZ- 1 #####</b> 1: Plant Code (1 – 9) #####: 6-Digit Serial Number (0 – 9) <b>Location:</b> On Front of Engine Block, Under Intake Manifold (as shown below)
	LX 470	2000 – 2007	

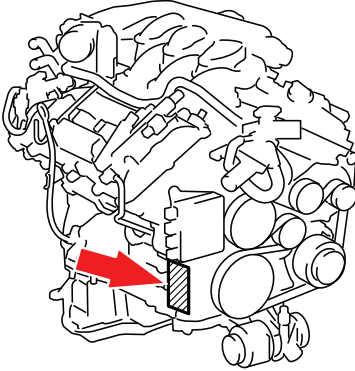


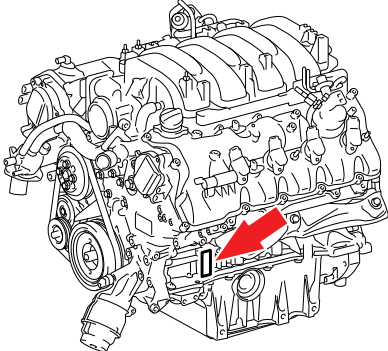
ENGINE MODEL	MODEL	MODEL YEAR	SERIAL NUMBER
2UR-GSE	IS F	2008 – 2009	<b>2UR- 1 #####</b> 1: Plant Code (1 – 9) #####: 6-Digit Serial Number (0 – 9) <b>Location:</b> On Left Side, Rear of Engine Block (as shown below)



## Engine Serial Number Location

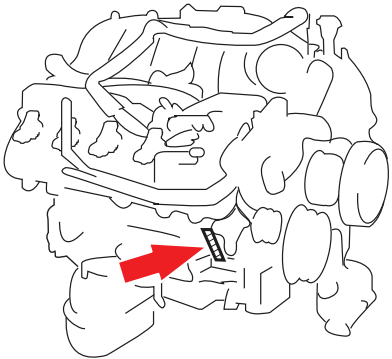
### Identification Procedure (Continued)

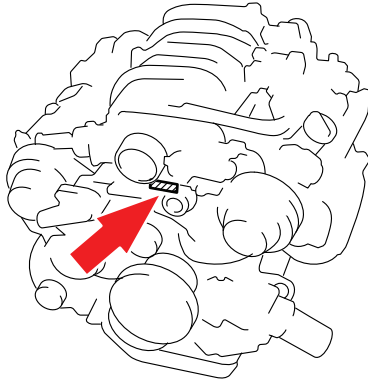
ENGINE MODEL	MODEL	MODEL YEAR	SERIAL NUMBER
4GR-FSE	IS 250	2006 – 2009	<b>4GR- 1 #####</b> 1: Plant Code (1 – 9) #####: 6-Digit Serial Number (0 – 9) <b>Location:</b> On Right Side, Front of Engine Block (as shown below)
			

ENGINE MODEL	MODEL	MODEL YEAR	SERIAL NUMBER
2UR-FSE	LS 600h	2008 – 2009	<b>2UR- 1 #####</b> 1: Plant Code (1 – 9) #####: 6-Digit Serial Number (0 – 9) <b>Location:</b> On Left Side, Front of Engine Block (as shown below)
			

## Engine Serial Number Location

### Identification Procedure (Continued)

ENGINE MODEL	MODEL	MODEL YEAR	SERIAL NUMBER
3UR-FE	LX 570	2008 – 2009	<b>3UR- 1 #####</b> 1: Plant Code (1 – 9) #####: 6-Digit Serial Number (0 – 9) <b>Location:</b> On Right Side, Front of Engine Block (as shown below)
			

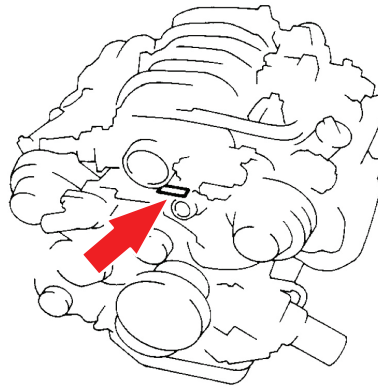
ENGINE MODEL	MODEL	MODEL YEAR	SERIAL NUMBER
3UZ-FE	GS 430	2001 – 2007	<b>3UZ- 1 #####</b> 1: Plant Code (1 – 9) #####: 6-Digit Serial Number (0 – 9) <b>Location:</b> On Front of Engine Block, under Intake Manifold (as shown below)
	LS 430	2001 – 2006	
	SC 430	2002 – 2009	
			



## Engine Serial Number Location

### Identification Procedure (Continued)

ENGINE MODEL	MODEL	MODEL YEAR	SERIAL NUMBER
1UZ-FE	GS 400	2000	<b>1UZ- 1 #####</b> 1: Plant Code (1 – 9) #####: 6-Digit Serial Number (0 – 9) <b>Location:</b> On Front of Engine Block, under Intake Manifold (as shown below)
	LS 400		
	SC 400		



ENGINE MODEL	MODEL	MODEL YEAR	SERIAL NUMBER
1MZ-FE	ES 300	2000 – 2003	<b>1MZ- 1 #####</b> 1: Plant Code (1 – 9) #####: 6-Digit Serial Number (0 – 9) <b>Location:</b> On Left Side, Rear of Engine Block (as shown below)
	RX 300		

