

DTC	B1149/37	FRONT AIRBAG SENSOR (LH) MALFUNCTION
------------	-----------------	---

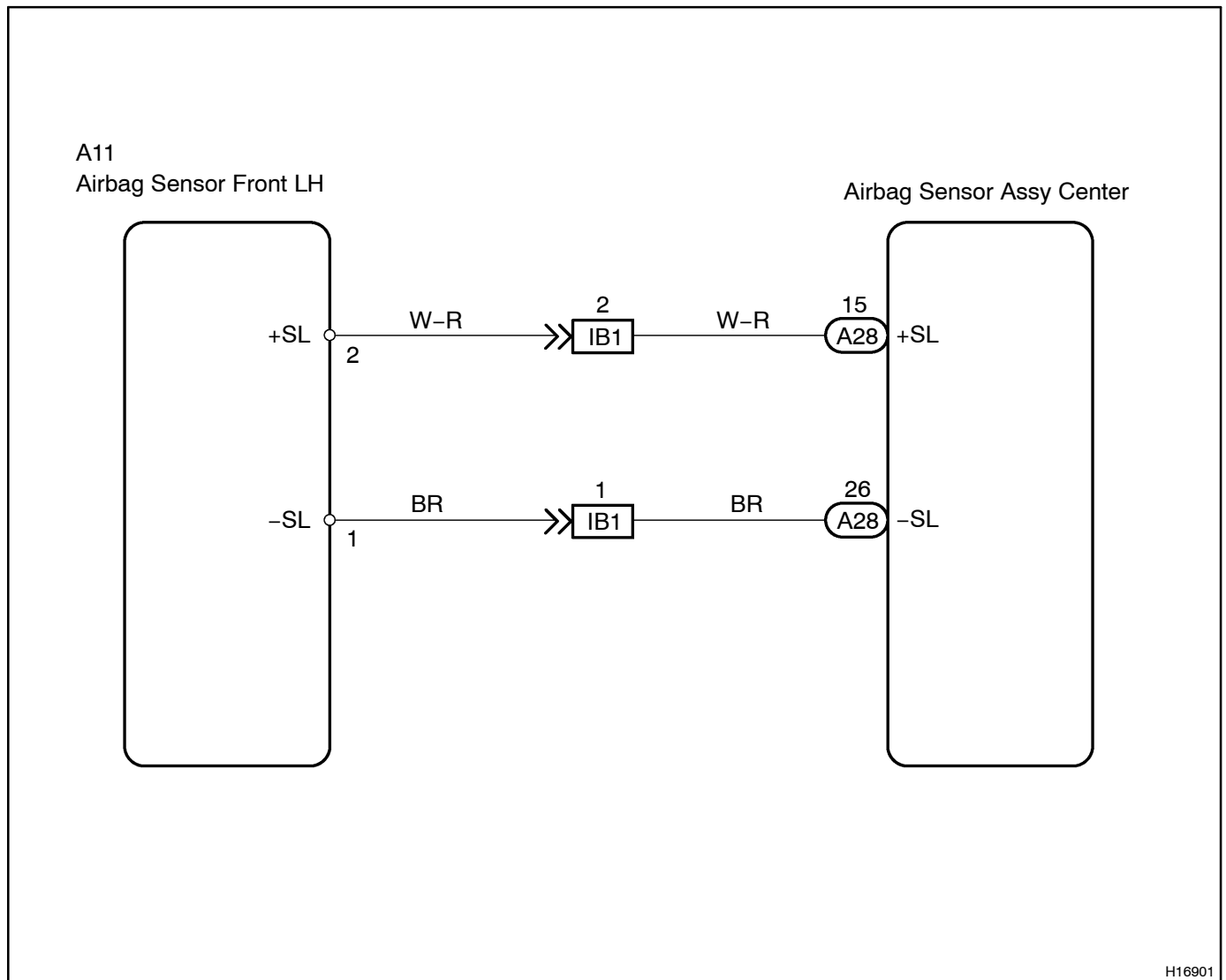
CIRCUIT DESCRIPTION

The airbag sensor front LH circuit consists of the diagnosis circuit and frontal deceleration sensor, etc. If the airbag sensor assy center receives signals from the frontal deceleration sensor, it judges whether or not the SRS must be activated, and detects diagnosis system malfunction.

DTC B1149/37 is recorded when a malfunction is detected in the airbag sensor front LH circuit.

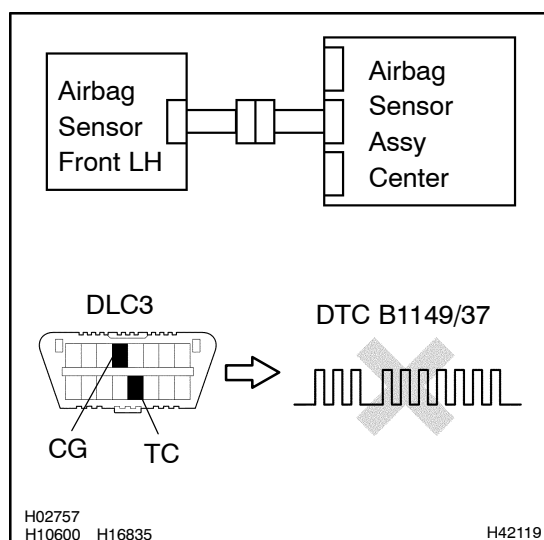
DTC No.	DTC Detecting Condition	Trouble Area
B1149/37	<ul style="list-style-type: none"> • Open circuit in wire harness of front airbag sensor LH • Airbag sensor front LH malfunction • Airbag sensor assy center malfunction 	<ul style="list-style-type: none"> • Airbag sensor front LH • Airbag sensor assy center • Instrument panel wire • Engine room main wire

WIRING DIAGRAM



H16901

INSPECTION PROCEDURE

1 CHECK AIR BAG SENSOR FRONT LH

- (a) Turn the ignition switch to LOCK position.
- (b) Disconnect the negative (-) terminal cable from the battery, and wait at least for 90 seconds.
- (c) Connect the negative (-) terminal cable to the battery, and wait at least for 2 seconds.
- (d) Turn the ignition switch to ON position, and wait at least for 10 seconds.
- (e) Clear the DTC stored in the memory (See page 05-973).
- (f) Turn the ignition switch to LOCK position, and wait at least for 10 seconds.
- (g) Turn the ignition switch to ON position, and wait at least for 10 seconds.
- (h) Check the DTC (See page 05-973).

OK:**DTC B1149/37 is not output.****HINT:**

Codes other than code B1149/37 may be output at this time, but they are not relevant to this check.

OK**USE SIMULATION METHOD TO CHECK****NG****2 CHECK AIRBAG SENSOR ASSY CENTER CONNECTOR**

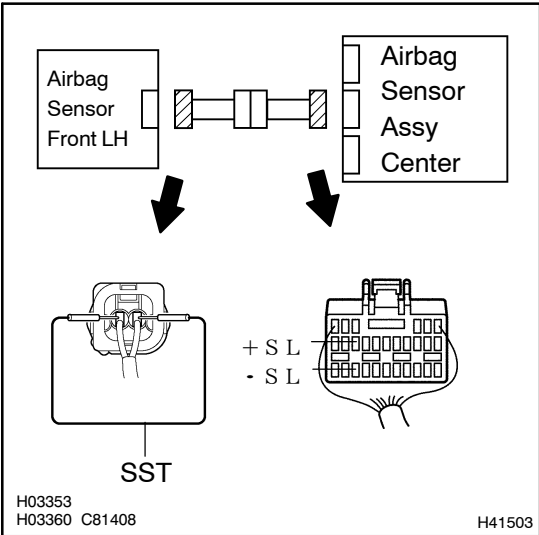
- (a) Turn the ignition switch to LOCK position.
- (b) Disconnect the negative (-) terminal cable from the battery, and wait at least for 90 seconds.
- (c) Check that the connector is properly connected to the airbag sensor assy center.

OK:**The connectors are connected.****NG****CONNECT CONNECTORS****OK****3 CHECK FRONT AIRBAG SENSOR CONNECTOR**

- (a) Check that the connector is properly connected to the airbag sensor front LH.

OK:**The connector is connected.****NG****CONNECT CONNECTORS****OK**

4 CHECK FRONT AIRBAG SENSOR (LH) CIRCUIT (OPEN)

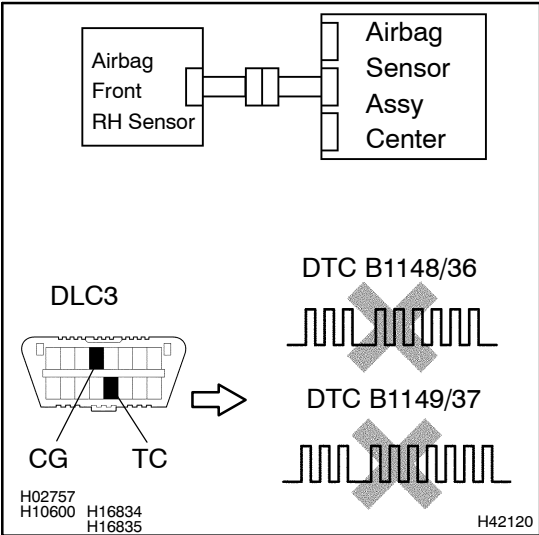


- (a) Disconnect the connectors from the airbag sensor assy center and the airbag sensor front LH.
- (b) Using SST, connect between the terminal +SL and terminal -SL of the connector on the airbag sensor front LH side between the airbag sensor assy center and the airbag sensor front LH.
SST 09843-18040
- (c) Measure the resistance between +SL and -SL of the connector on the airbag sensor assy center side between the airbag sensor front LH and the airbag sensor assy center.
OK:
Resistance: Below 1 Ω

NG Go to step 6

OK

5 CHECK AIR BAG SENSOR FRONT LH



- (a) Turn the ignition switch to LOCK position.
- (b) Disconnect the negative (-) terminal cable from the battery, and wait at least for 90 seconds.
- (c) Connect the airbag sensor assy center connector.
- (d) Interchange the airbag front sensor RH with LH and connect the connectors to them.
- (e) Connect the negative (-) terminal cable to the battery, and wait at least for 2 seconds.
- (f) Turn the ignition switch to ON position, and wait at least for 10 seconds.
- (g) Clear the DTC stored in the memory (See page 05-973).
- (h) Turn the ignition switch to LOCK position, and wait at least for 10 seconds.
- (i) Turn the ignition switch to ON position, and wait at least for 10 seconds.
- (j) Check the DTC (See page 05-973).

OK:
(A): DTC B1148/36 is not output.
(B): DTC B1149/37 is not output.

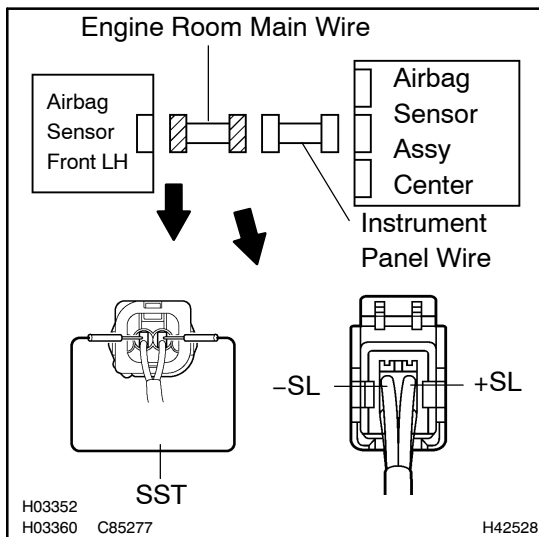
NG(A) REPLACE AIR BAG SENSOR FRONT LH

NG(B) REPLACE AIR BAG SENSOR ASSY CENTER

OK

USE SIMULATION METHOD TO CHECK

6 CHECK ENGINE ROOM MAIN WIRE(OPEN)



- Disconnect the engine room main wire connector from the instrument panel wire.
- Using SST, connect between terminal +SL and terminal -SL of the engine room main wire connector on the instrument panel wire side.
SST 09843-18040
- Measure the resistance between +SL and -SL of the engine room main wire connector on the instrument panel wire side.

OK:

Resistance: Below 1 Ω

NG

REPLACE ENGINE ROOM MAIN WIRE

OK

REPLACE INSTRUMENT PANEL WIRE