

STEREO COMPONENT SPEAKER ASSY FRONT

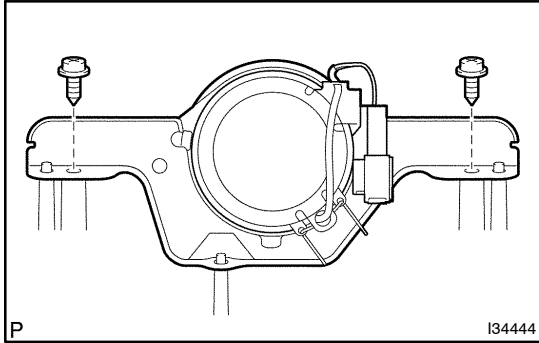
REPLACEMENT

670NL-02

HINT:

COMPONENTS: See page 67-3.

1. REMOVE INSTRUMENT PANEL SAFETY PAD SUB-ASSY W/DEFROSTER NOZZLE DUCT
(SEE PAGE 71-12)



2. REMOVE STEREO COMPONENT SPEAKER ASSY FRONT
 - (a) Disconnect the connector.
 - (b) Remove the 2 screws and stereo component speaker assy front.

3. INSTALL INSTRUMENT PANEL SAFETY PAD SUB-ASSY W/DEFROSTER NOZZLE DUCT
(SEE PAGE 71-12)